

SylFire LED

SYLFIRE LED WHITE FIX 4000K DIMMABLE DC

0059803



Características de la gama

- SylFire LED delivers up to 65lm/W
- Ultra low energy consumption at 10W
- A true 50W MR16 Low Voltage Halogen light output equivalent
- Dimmable (includes dimmable LED driver)
- Single point LED (COB) focusses through a single lens; eliminating overshadowing, reducing glare and creating that "halogen" look and feel
- Easy to install - push fit and loop in/loop out terminals for quick and convenient installation
- Available in IP65 water resistant in fixed options
- Available in tilt options
- Available in choice of chrome, brushed steel or white



DESCRIPCIÓN DEL PRODUCTO

| | |
|---|--|
| Número de orden | 0059803 |
| Tecnología | LED |
| Color de la luz | Neutral white |
| Promedio de vida útil (clasificada) (h) | 50000 |
| Tipo | Integrated LED |
| Código EAN | 5410288598031 |
| Certificaciones | CE |
| Montaje | Ceiling recessed |
| Carcasa | Steel |
| CRI (Ra) | 80 |
| LOR (%) | 100 |
| Ángulo de haz (°) | 40 |
| Temperatura de color (K) | 4000 |
| Rango de regulación | Mains dimmable: leading or trailing edge |
| Tensión (V) | 220-240 |
| Color | White |
| Clasificación IP | 65 |

SylFire LED

SYLFIRE LED WHITE FIX 4000K DIMMABLE DC

0059803

TABLA DE DATOS

Datos generales

| | |
|---|--|
| Número de orden | 0059803 |
| Tecnología | LED |
| Promedio de vida útil (clasificada) (h) | 50000 |
| Promedio de vida útil (nominal) (h) | 50000 |
| Tipo | Integrated LED |
| Código EAN | 5410288598031 |
| Certificaciones | CE |
| Montaje | Ceiling recessed |
| Descripción larga | SylFire LED delivers up to 65lm/W. Ultra low energy consumption at 10W. A true 50W MR16 Low Voltage Halogen light output equivalent . Dimmable (includes dimmable LED driver). Single point LED (COB) focusses through a single lens; eliminating overshadowing, reducing glare and creating that "halogen" look and feel. Easy to install - push fit and loop in/loop out terminals for quick and convenient installation. Available in IP65 water resistant in fixed options. Available in tilt options. Available in choice of chrome, brushed steel or white |
| Nombre del producto | SYLFIRE LED WHITE FIX 4000K DIMMABLE DC |
| Disponibilidad de sistema de control | External |
| Tipo de sistema de control | Electronic (constant current) |
| Entorno | Interior |
| Aplicación general | Indoor functional accent downlighting, show erlight |
| Carcasa | Steel |

Datos ópticos

| | |
|-------------------------------|--|
| Color de la luz | Neutral white |
| CRI (Ra) | 80 |
| LOR (%) | 100 |
| Ángulo de haz (°) | 40 |
| Temperatura de color (K) | 4000 |
| Flujo luminoso (nominal) (lm) | 650 |
| Rango de regulación | Mains dimmable: leading or trailing edge |
| Tipo de distribución | Direct |
| Sistema óptico | Acrylic lens |

Datos eléctricos

| | |
|------------------------------|------------|
| Consumo total de energía (W) | 10 |
| Tensión (V) | 220-240 |
| Clasificación Ta | -40 to +45 |
| Protección eléctrica | 2 |
| Prueba de cable luminiscente | 850 |

SylFire LED

SYLFIRE LED WHITE FIX 4000K DIMMABLE DC

0059803

Datos físicos

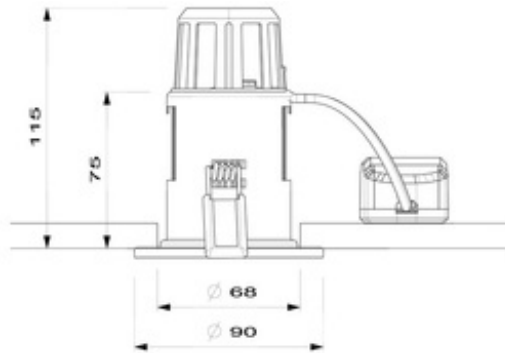
| | |
|--------------------------------------|---------|
| Peso (kg) | 0.35 |
| Color | White |
| Lámpara incluida | Yes |
| Altura (mm) | 115 |
| Anchura (mm) | 90 |
| Longitud (mm) | 90 |
| Clasificación IP | 65 |
| Inclinación vertical (°) | |
| Diámetro del recorte (mm) | 68 ø |
| Forma del recorte | Round |
| Profundidad de empotrado (mm) | 130 |
| Acabado del difusor | Clear |
| Material difusor | Acrylic |

SylFire LED

SYLFIRE LED WHITE FIX 4000K DIMMABLE DC

0059803

DIBUJOS TÉCNICOS



ETIQUETADO ENERGÉTICO

