

Installation Manual

Installationsanleitung
 Manuel d'installation
 Installatiehandleiding
 Manual de instalación
 Manuale d'installazione
 Εγχειρίδιο εγκατάστασης
 Manual de instalação

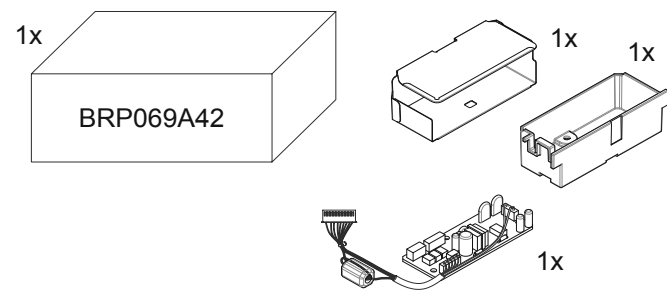
Руководство по монтажу
 Montaj kilavuzu
 Installationsvejledning
 Installationshandbok
 Installeringshåndbok
 Aseennusopas
 Instalační návod

Priručnik za postavljanje
 Szerelési kézikönyv
 Instrukcja montażu
 Manual de instalare
 Priručnik za montažo
 Ръководство за монтаж
 Návod na inštaláciu

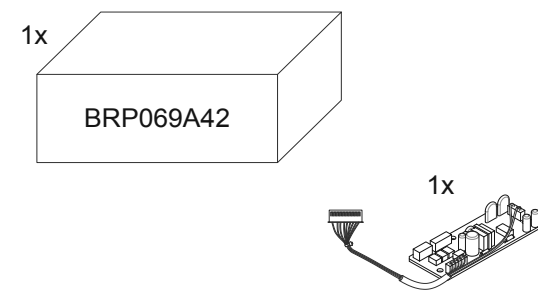
BRP069A42

| | | | | | | | | | | | |
|----------------------|-------------------------|------------------------|--------------------------|-------------------------|-------------------------|-----------------------|------------------------|------------------------------|--------------------|-----------------------|--------------------------|
| EN Caution | DE Vorsicht | FR Attention | NL Voorzichtig | ES Precaución | IT Attenzione | EL Προσοχή | PT Cuidado | RU Предостережение | TR İkaz | | |
| DA Pas på | SV Försiktigt | NO Forsiktig | FI Huomio | CS Varování | HR Oprez | HU Vigyázat | PL Ostrożnie | RO Precauție | SL Pozor | BG Внимание | SK Upozornenie |

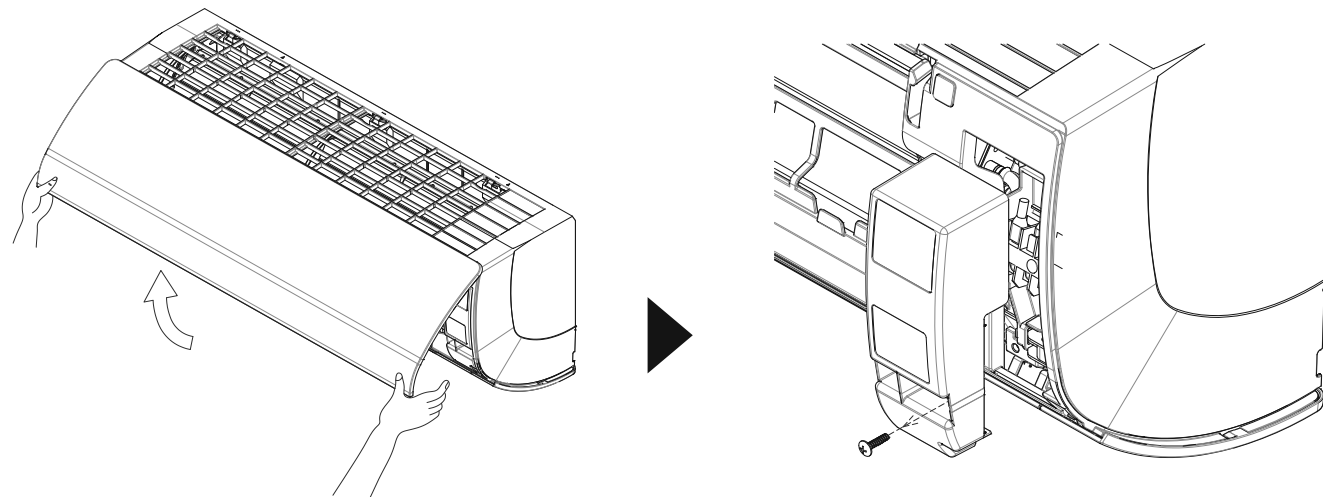
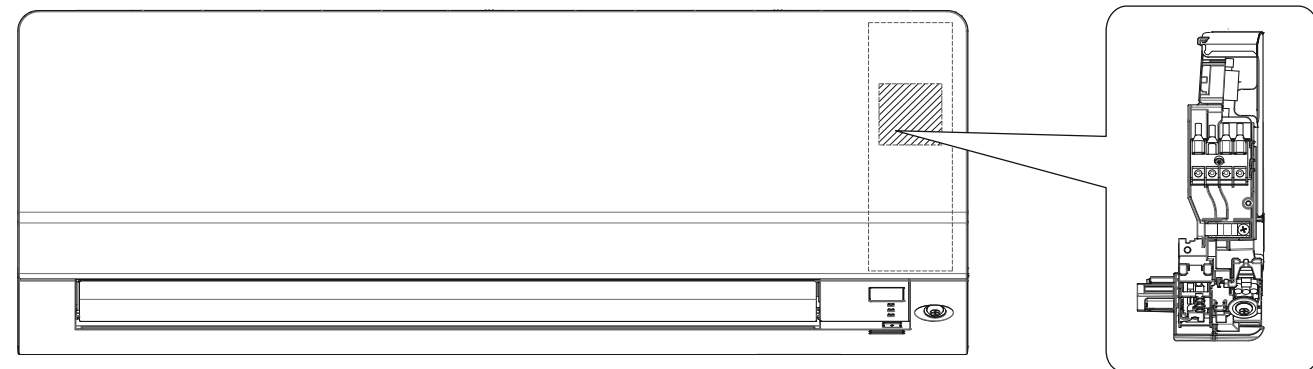
BRP069A43



BRP069A44

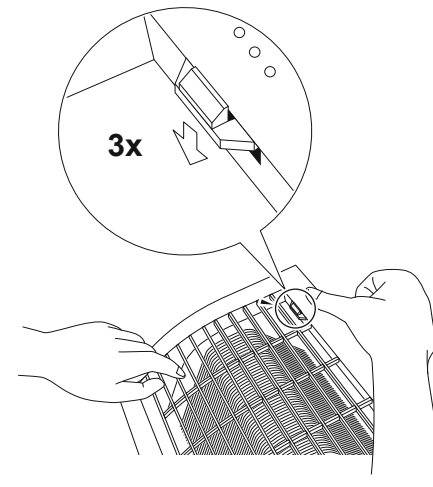


BRP069A43 / BRP069A44

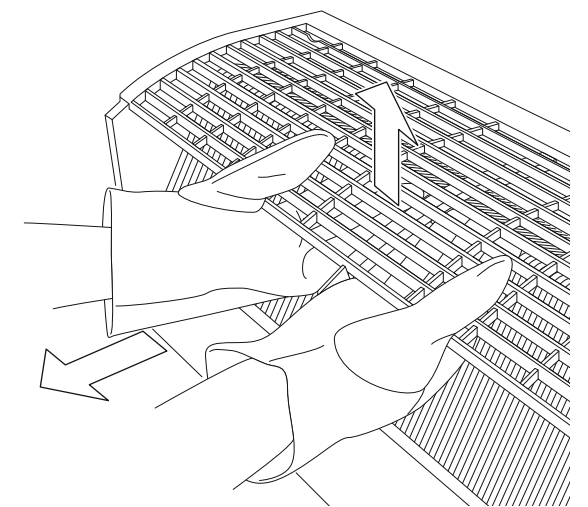


1.

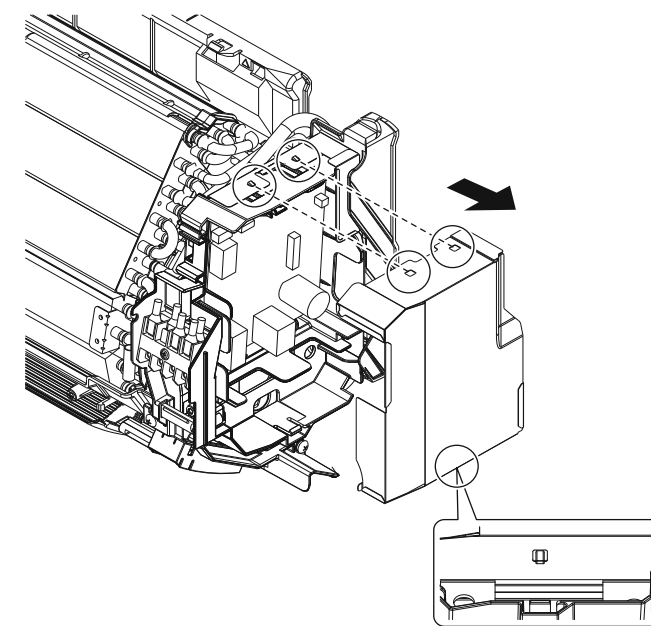
BRP069A43 / BRP069A44



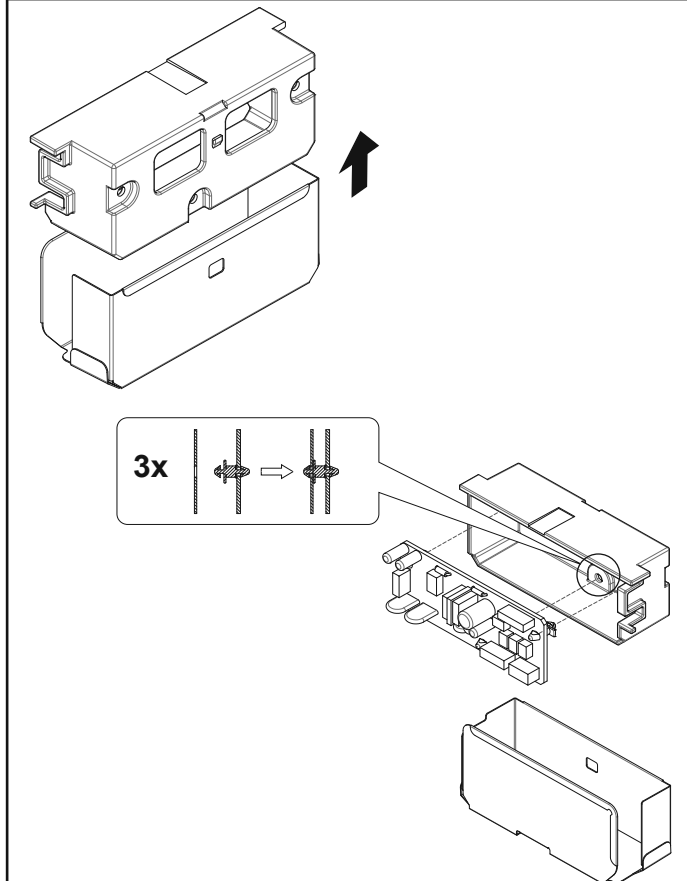
BRP069A43 / BRP069A44



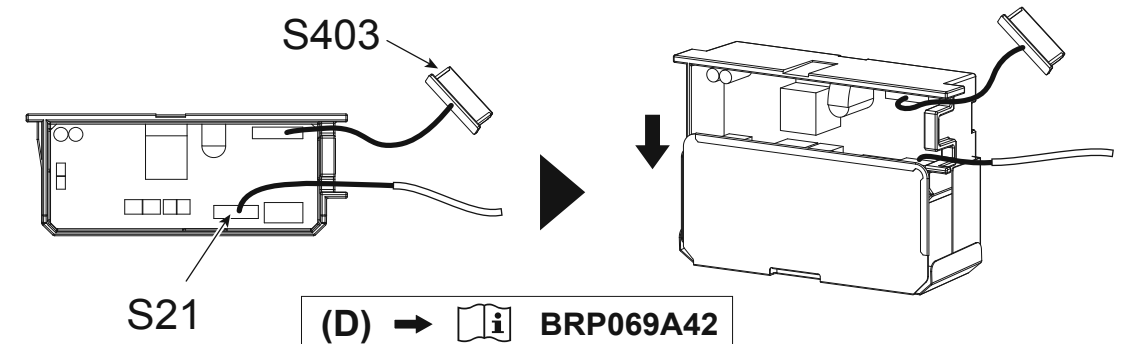
BRP069A43 / BRP069A44



BRP069A43 : FTXS20/25K, FTXM20/25K, ATXS20/25K
 FTX20/25/35J, ATX20/25/35J, CTXS15/35K



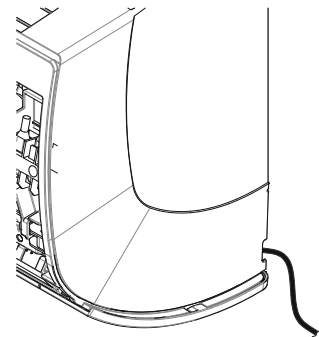
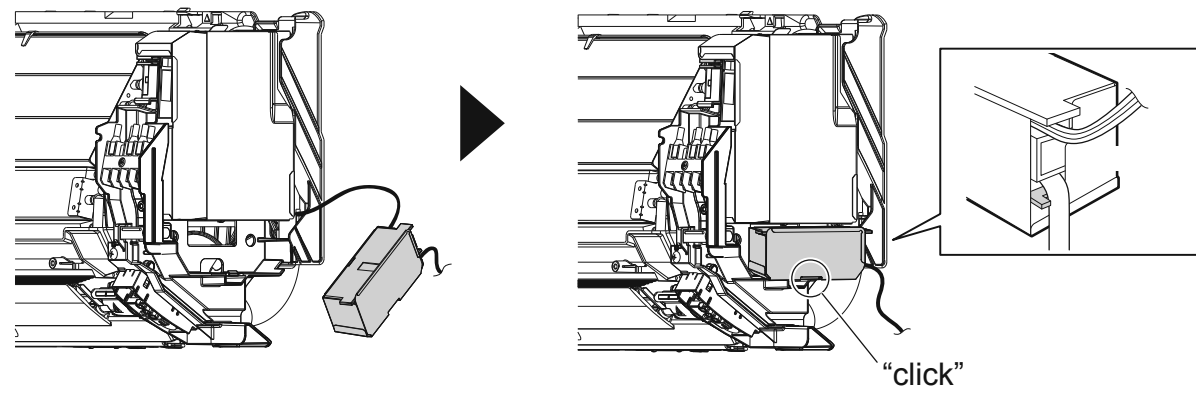
BRP069A43 : FTXS20/25K, FTXM20/25K, ATXS20/25K
 FTX20/25/35J, ATX20/25/35J, CTXS15/35K



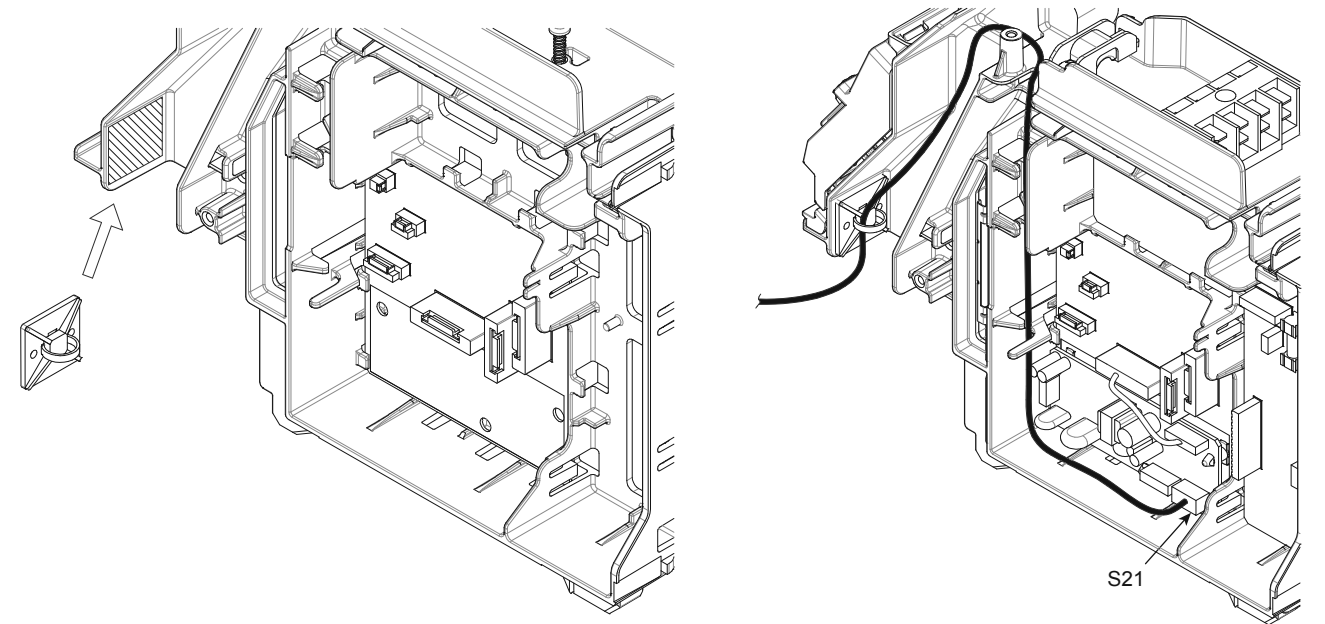
(D) → **BRP069A42**

2.

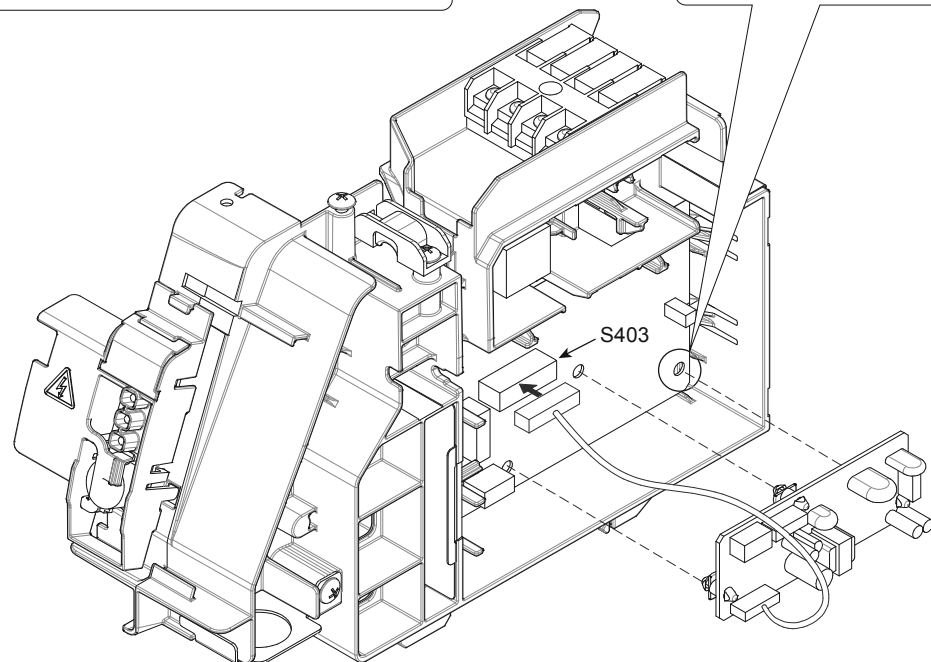
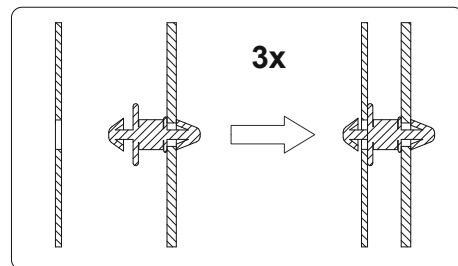
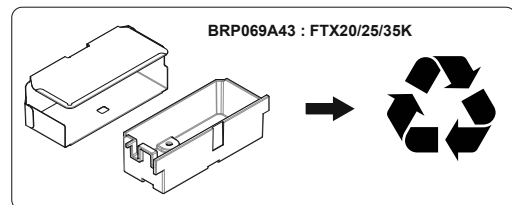
BRP069A43 : FTXS20/25K, FTXM20/25K, ATXS20/25K
FTX20/25/35J, ATX20/25/35J, CTXS15/35K



BRP069A44 : FTX50/60K

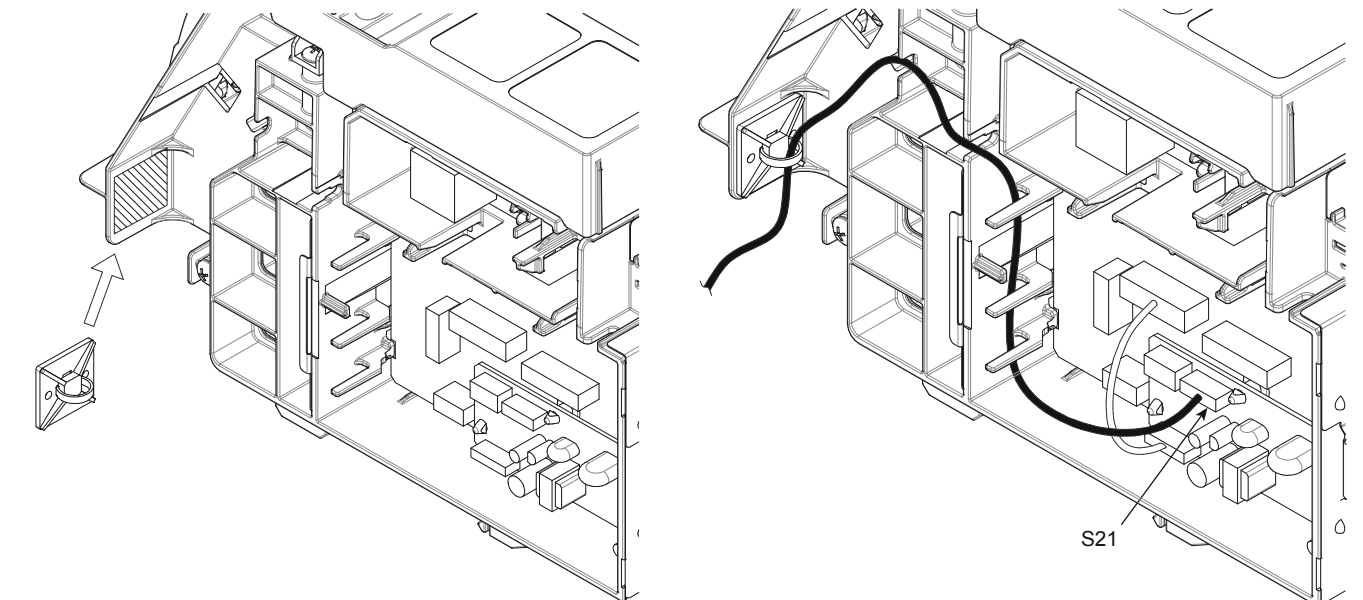


BRP069A43 / BRP069A44 : FTX20/25/35K, FTX50/60K

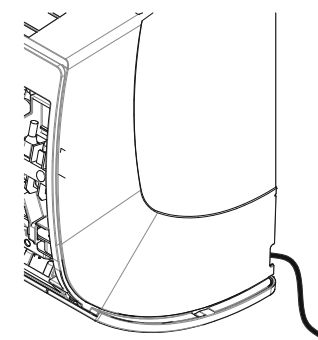


3.

BRP069A43 : FTX20/25/35K



BRP069A43 / BRP069A44



DAIKIN INDUSTRIES CZECH REPUBLIC s.r.o.
U Nové Hospody 1/1155, 301 00 Plzeň Skvrňany, Czech Republic

4.

3P400738-1A 2015.02