
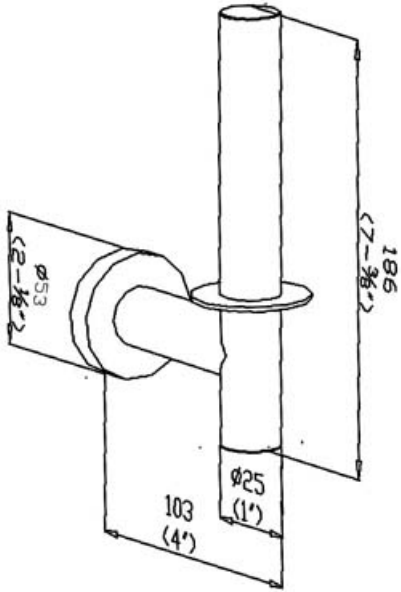



| | | | | |
|--|---|---------------------------------|-----------------------------|--|
| <p align="center">Holder for spare toilet paper chromed brass</p> | <p align="right">Código: AC0970C</p> | | | |
| <p>General description</p> <ul style="list-style-type: none"> · Holder for spare toilet paper, chromed brass, for wall mounting · Suitable for the hotel sector, for fitting out the bathrooms in the hotel rooms. · Model suitable for public use. |  | | | |
| <p>Components and Materials</p> <ul style="list-style-type: none"> · Chromed brass arm of Ø 25 mm and 1 mm thick with a protection thickness of 9,4 µm nickel + 0,40 µm chrome. · Chromed brass snap flange cover of Ø 66 mm. · Press-formed mounting flange which incorporates 3 screws holes of Ø 5 mm for mounting on the wall. |  <p align="center">Dim.: ±4%</p> | | | |
| <p>Technical Specifications</p> <table border="1" data-bbox="381 1192 784 1276"> <tr> <td>Maximum dimensions - 185 x 53 x 100 mm</td> </tr> <tr> <td>Distance from the wall - 116 mm</td> </tr> <tr> <td>Snap flange cover - Ø 53 mm</td> </tr> </table> | Maximum dimensions - 185 x 53 x 100 mm | Distance from the wall - 116 mm | Snap flange cover - Ø 53 mm | |
| Maximum dimensions - 185 x 53 x 100 mm | | | | |
| Distance from the wall - 116 mm | | | | |
| Snap flange cover - Ø 53 mm | | | | |
| <p>Operation No specific instructions for its use required.</p> | | | | |
| <p>Certificates & Qualifications ISO 9001:2008.</p> | | | | |
| <p>Mediclinics, S.A., reserves the right to make changes and/or modifications to the products and their specifications without prior notice.</p> <p align="center">mediclinics S.A</p>  | | | | |