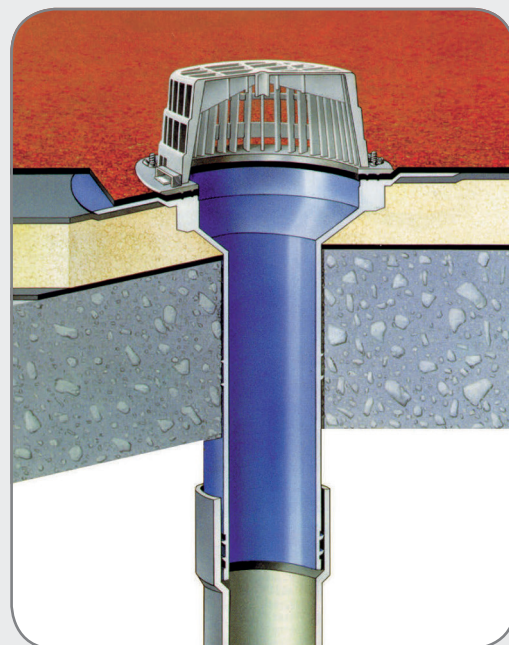


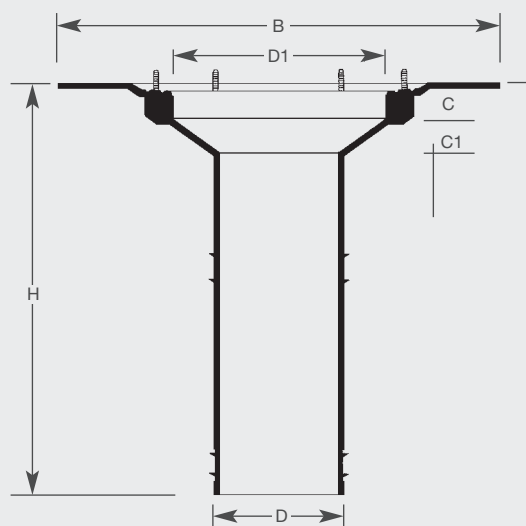
04.1 “SUPER SURE FIX” ROOF DRAIN IN IGOM.EE



ACCESSORIES FOR
MECHANICALLY
FIXED SOLUTIONS

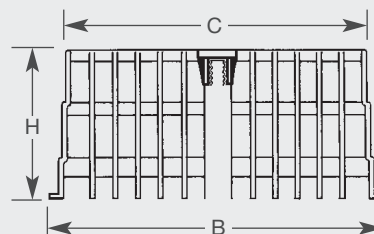
“SUPER SURE FIX” is one of the best means of connecting a roof system to an outlet drain and is particularly indicated for use on flat roof applications for either commercial or residential buildings. The fastening and the seal between the roof system is achieved mechanically and thanks to its versatility the drain unit can be used with various types of waterproofing membranes. The unit and its accessories have been studied in the minutest detail thus giving a product which far surpasses the characteristics of other normal products currently available.

ART.	129	130	132	133	134	136
DENOM	75	80	100	110	125	150
B	340	340	340	340	340	340
H	330	330	330	330	330	330
D	75	80	100	110	125	150
D1	170	170	170	170	170	170
C	30	30	30	30	30	30
C1	25	25	25	25	25	25



LEAF AND GRAVEL GRATE

ART.	24
B	180
H	80
C	160



04.1 "SUPER SURE FIX" ROOF DRAIN IN IGOM.EE

INSTALLATION METHOD

- 1 - Place the unit into the drain pipe.
- 2 - Install the waterproofing membrane.
- 3 - Press the membrane over the lugs so that their position is evident. Carefully cut the membrane over the lugs so that they protrude through the membrane.
- 4 - Place the ring over the lugs and hold in position with 2 bolts and cut the membrane inside the ring.
- 5 - Position and fasten the other bolts and washers, position the leaf or gravel grate.

PRODUCT DATA

The unit consists of a flexible circular flange with 6 stainless steel lugs. A flat funnel 30 mm thick and 170 mm in diameter to ensure that even storm water will flow quickly into the unit.

Standard length is 330 mm. Pipe diameters available are 75-80-100-110-125-150 mm.

The unit is supplied with a 5076 aluminium ring, 3.5 mm thick and a diameter of 220 mm which has 3 locating lugs and 6 holes for the fixing of either a leaf and gravel grate.

Leaf and gravel grate are 80 mm high and have a diameter at the base of 180 mm and 160 mm at the top and clips into position on the locating lugs on the ring. The unit is made from IGOM.EE synthetic rubber which has excellent physical and chemical characteristics and can fulfil all the elastic characteristics required of such an article.

The specially formulated IGOM.EE has extremely high resistance to breakdown by sunlight, ozone and other chemical or atmospheric agents. The unit can be used in a wide range of temperatures giving high flexibility even in temperatures as well as stability in time thanks to its excellent mechanical characteristics. Thanks to their high quality, the materials used will ensure perfect performance through the years.

The aluminium ring is corrosion resistant and the 6 butterfly nuts which are in stainless steel ensure a perfect seal with all types of waterproofing membranes and so there is no need to seal the flange to the membrane.

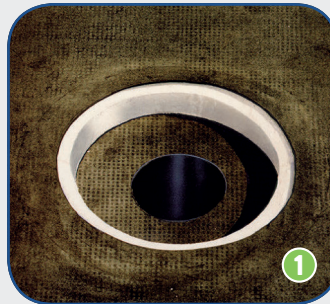
The drain unit can be dismantled and reused.

DESCRIPTION FOR SPECIFICATIONS

Supply and installation of ITALPROFILI® mechanical fix drain super made of synthetic rubber IGOM.EE with a 340 mm round flange, an increased 30 mm deep by 170 mm diameter drainage head and a 330 mm long stem with anti back-up rings or similar. Suitable for pipe Ø..... with spigot and complete with leaf or gravel grate with 5 or 10 mm meshing.

INSTALLATION METHOD

BITUMINOUS MEMBRANES



SYNTHETIC MEMBRANES

