

INSTALLATION METHOD

Art. 48 - 49 - 49.1 - 49.9 - 51

- 1 - Presuming that the diffusion layer has already been installed, place the canalizer in position on top of the diffusion layer towards the top end of the slope (Fig. A).
- 2 - Install the vapour barrier cutting a hole in correspondence to the canalizer.
- 3 - Place the thermal insulation into position cutting a hole in correspondence to the canalizer.
- 4 - Install the first layer of waterproofing membrane, cut a hole in correspondence to the canalizer, heat the membrane around the canalizer, attach the Air vent/Vapour extractor over the top of the canalizer onto the hot membrane ensuring a strong connection between the underside of the flange and the membrane.
- 5 - Heat a small piece of membrane and spread with a trowel the melted compound in order to cover the ribbed surface of the flange.
- 6 - Install the second waterproofing layer cutting a hole in correspondence to the Air vent/Vapour extractor heating also the previously applied compound on the flange and press strongly around the base of the extractor.
- 7 - Attach a suitably cut and shaped piece of membrane around the trunk of the vapour extractor taking special care when attaching it around the base of the trunk of the vapour extractor.
- 8 - Insert the cover pushing strongly until reaching the locking point.

NOTE: For the proper Air vents/Vapour extractors it is highly recommended that a hydrometric study be carried out in order to define the correct amount of aerators/extractors to be installed.

01.9 AIR VENTS/VAPOUR EXTRACTORS IN IGOM.EE

DESCRIPTION FOR SPECIFICATIONS

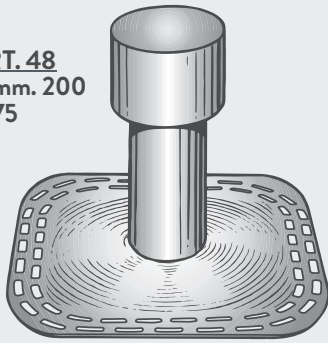
Art. 48 - 49

Supply and installation of ITALPROFILI® Air vents/Vapour extractors or similar, complete with canalizer Art. 51, anti-insect and protection ring for ventilation and extraction of vapours between the substructure and the vapour barrier. The Air vents/Vapour extractors consist of a 75 mm diameter protruding element, 200-270 mm in height complete with pressure lid, attached all in one piece to a ribbed and slotted flange to be installed between the first and second waterproofing membrane. The Air vents/Vapour extractors must be ITALPROFILI® in IGOM.EE or similar and must be installed between the first and second layer.

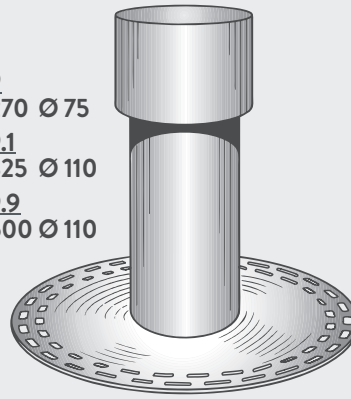
Art. 49.1 - 49.9

Supply and installation of ITALPROFILI® Air vents/Vapour extractors or similar, for the ventilation of rooms (kitchens, bathrooms etc.), suitable for covering protruding pipes, they are complete with anti-insect and protection ring. The Air vents/Vapour extractors has a cylindrical protruding element suitable for 100 or 110 mm pipes, it is 325 or 500 mm in height complete with pressure lid, attached all in one piece to a ribbed and slotted flange and is inserted between the first and second waterproofing layers. The Air vents/Vapour extractors must be ITALPROFILI® in IGOM.EE or similar and must be installed between the first and second layer (Fig. C).

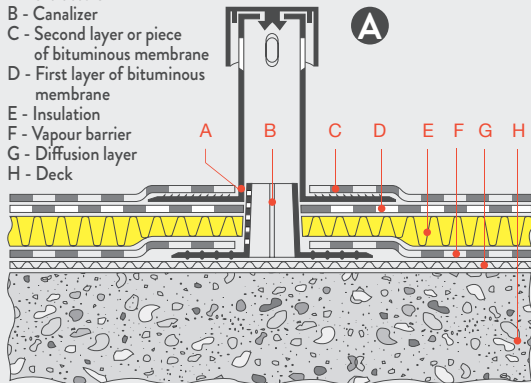
> **ART. 48**
H mm. 200
Ø 75



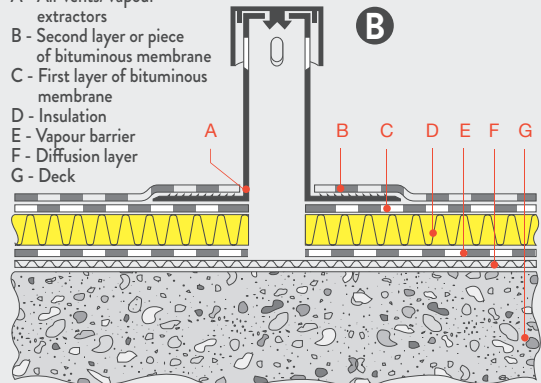
> **ART. 49**
H mm. 270 Ø 75
> **ART. 49.1**
H mm. 325 Ø 110
> **ART. 49.9**
H mm. 500 Ø 110



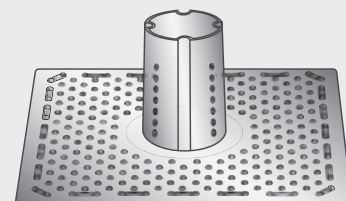
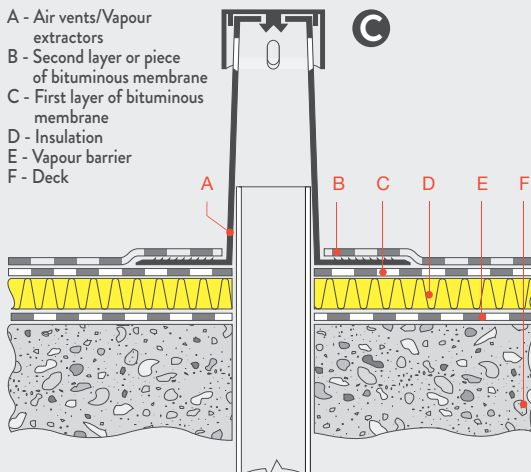
- A - Air vents/Vapour extractors
- B - Canalizer
- C - Second layer or piece of bituminous membrane
- D - First layer of bituminous membrane
- E - Insulation
- F - Vapour barrier
- G - Diffusion layer
- H - Deck



- A - Air vents/Vapour extractors
- B - Second layer or piece of bituminous membrane
- C - First layer of bituminous membrane
- D - Insulation
- E - Vapour barrier
- F - Diffusion layer
- G - Deck



- A - Air vents/Vapour extractors
- B - Second layer or piece of bituminous membrane
- C - First layer of bituminous membrane
- D - Insulation
- E - Vapour barrier
- F - Deck



^ **ART. 51**
H mm. 100 Ø 60