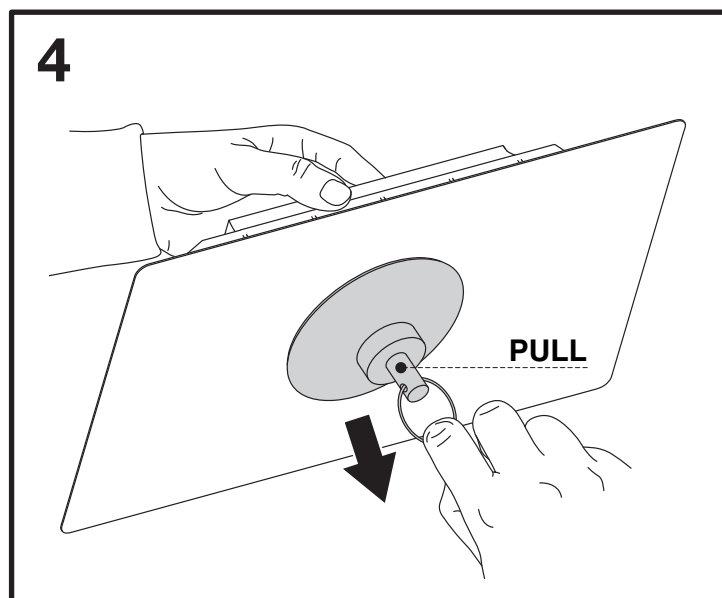
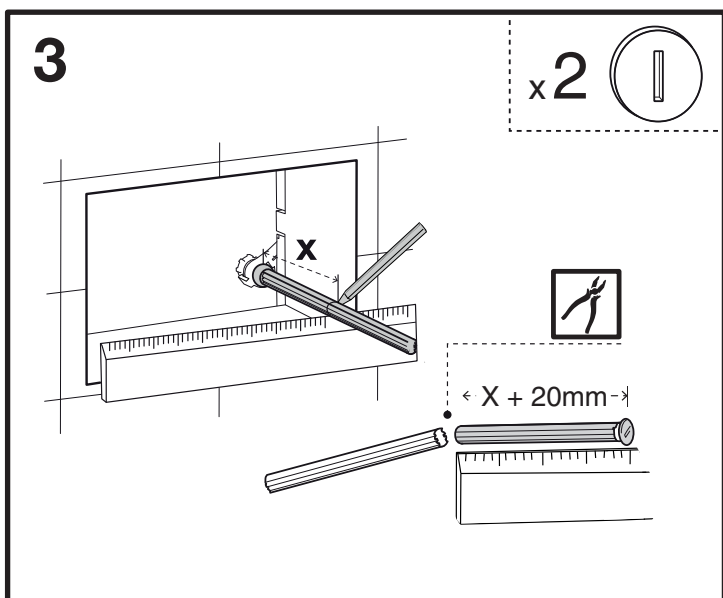
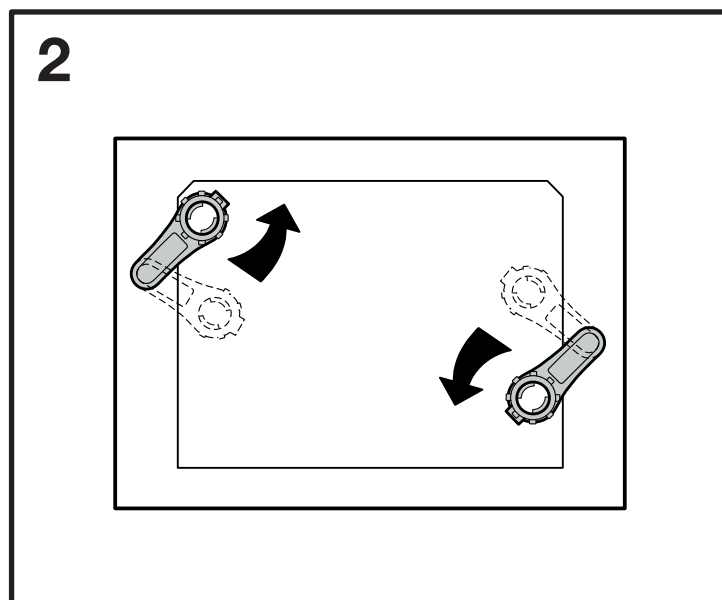
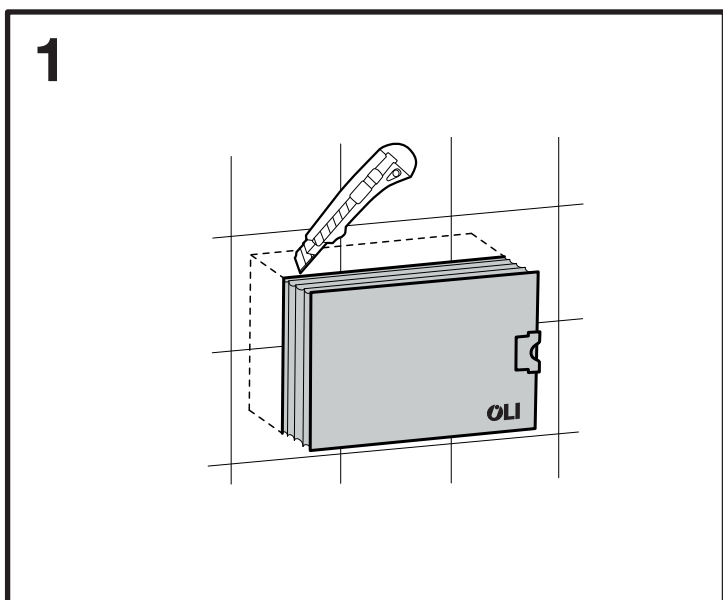
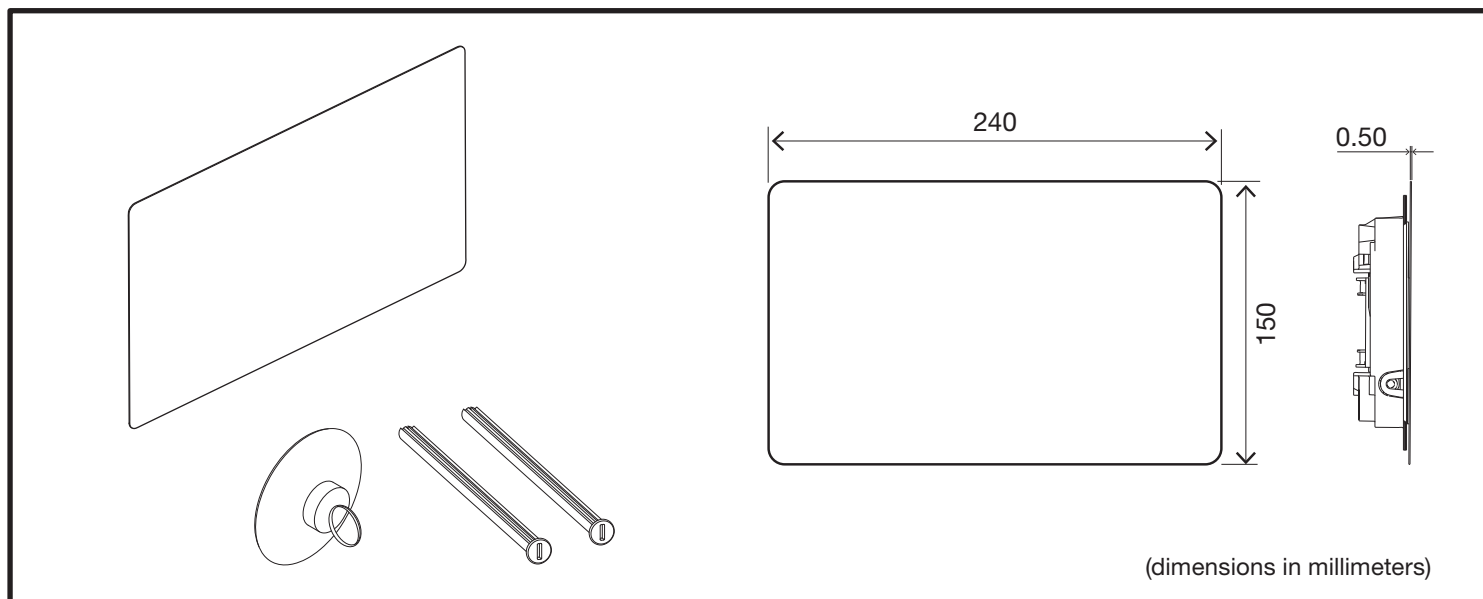
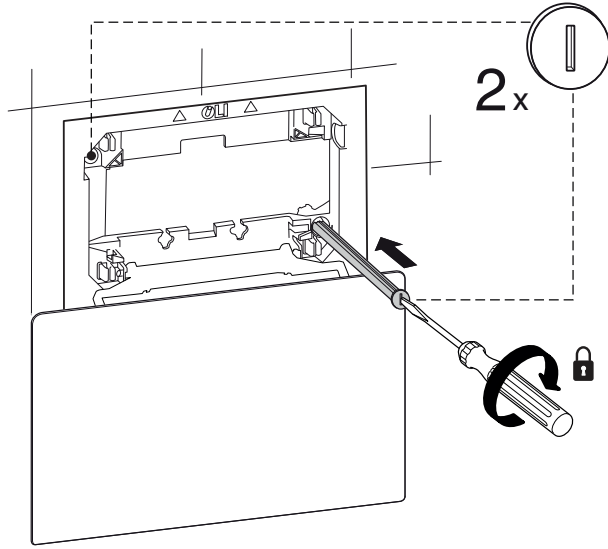


INSPECTION PLATE

SEAMLESS



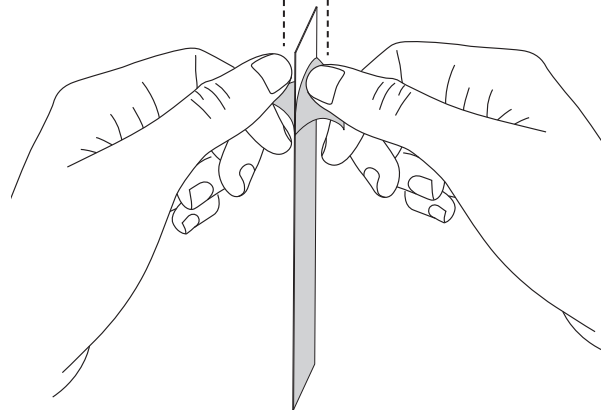
5



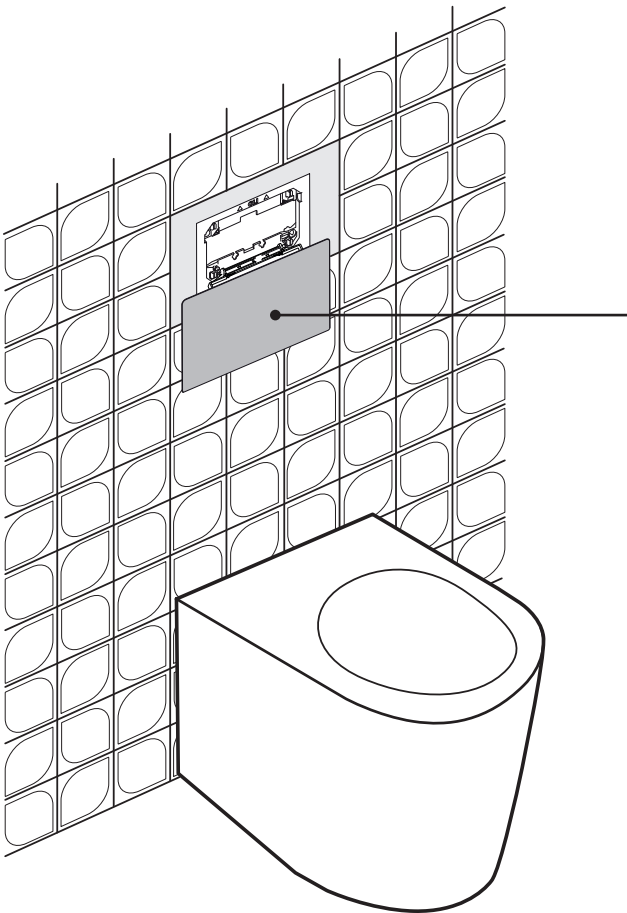
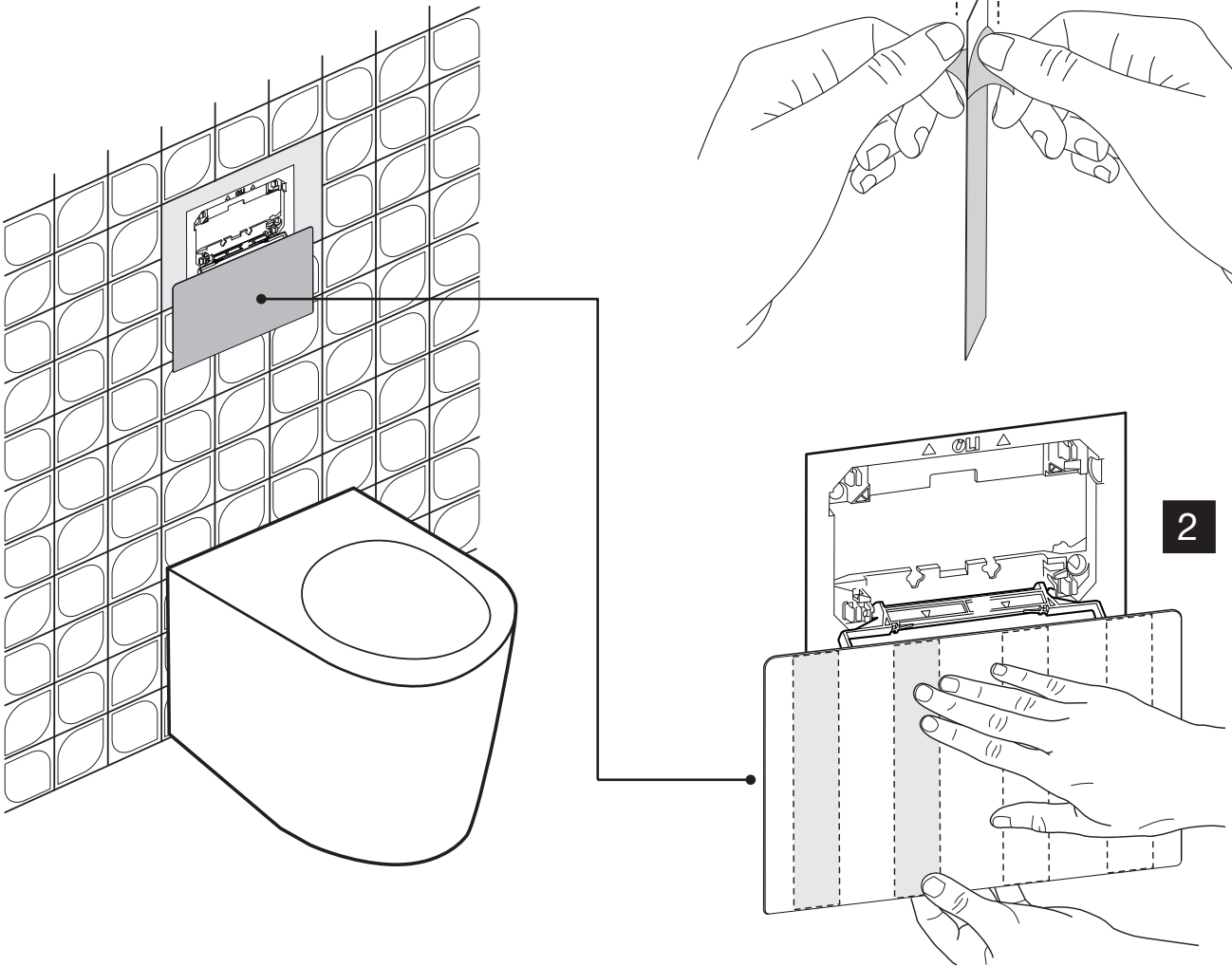
6



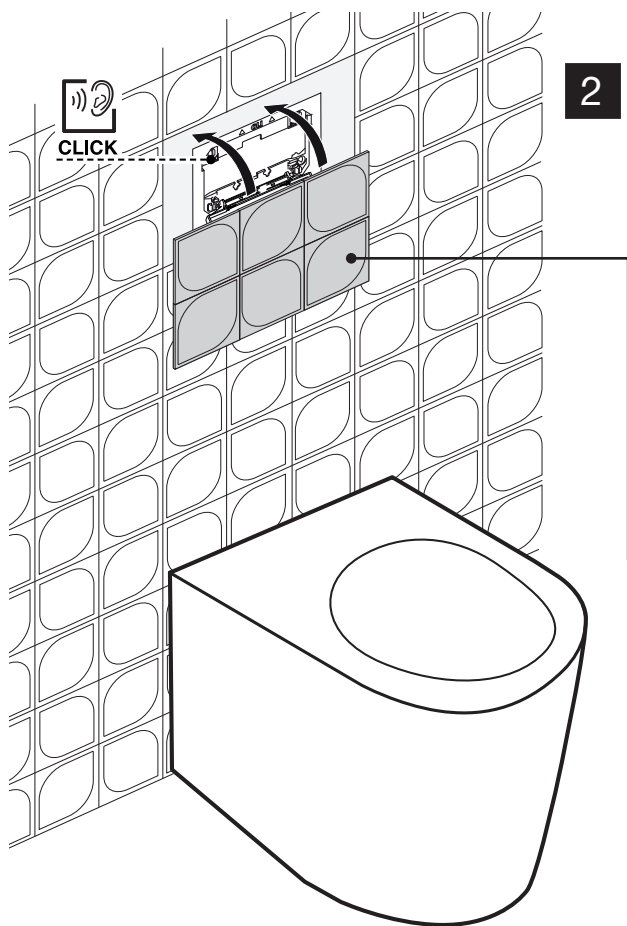
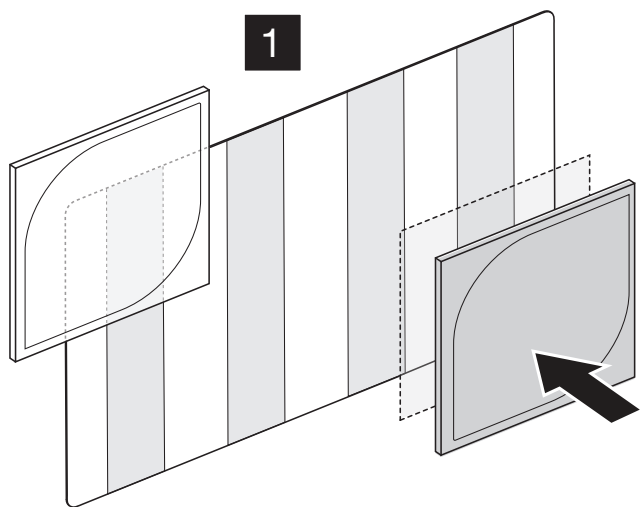
1



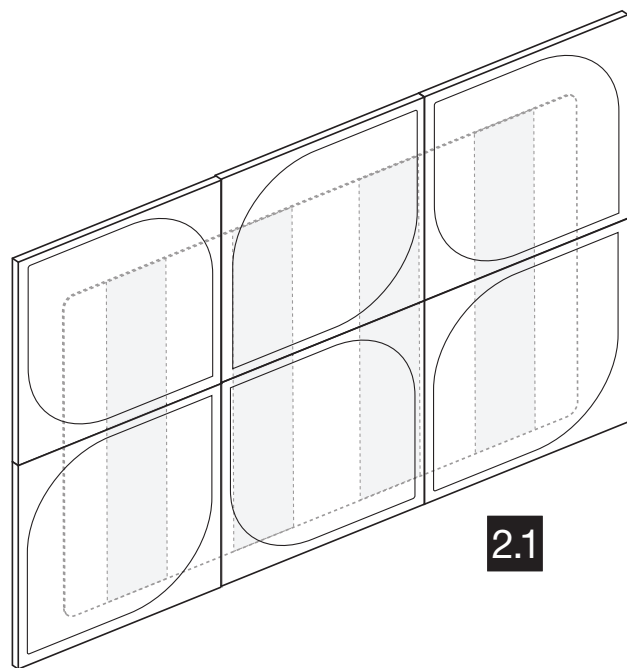
2



7



2



2.1

