

WALL PROTECTIONS AND HANDRAILS

spm-international.com



2020/2021 COLLECTION

CONTENTS

• About us	4/5
• Responding to all your demands	6/7
• A range that respects the environment	8/9
• SPM continues to innovate for you	10/11

SELECTION GUIDE: specific solution per sector 12/33

• Specific solutions per sector	12/13
• Hospitals - Clinics	14/17
• Retirement homes - Disability Centers	18/21
• Education	22/25
• Offices - Hotels - Catering - Housing	26/29
• Industry - Sport	30/33

COLOUR RANGE 34/43

• A palette of 33 colours	34/35
• Decowood range	36/37
• Decotrend range	38
• Decosmic panels	39
• Early childhood	40
• Safy range "individual protection"	41
• A practical guide	42/43

WALL PROTECTION 44/81

SPM has developed a range of three products that have been tested: wall protection rails, protection plates and the decorative protection and covering panels.

CORNER PROTECTION 82/95

Our corner protectors are adhesived or with aluminium core and can be applied to all corners, whether right angled or not. All have the same properties: they resist impact and effects of cleaning products.

DOOR PROTECTION 96/107

SPM has developed a range of plates and panels to suit all types of door. The panels come in a variety of original and decorative shapes and can be folded into L and U bends to protect edges or can be thermoformed to protect frames.

HANDRAILS 108/129

They are ergonomic, and also provide wall protection. SPM handrails are made from a combination of PVC and aluminium and cater for all your needs: they ensure mobility and provide security, and can be adapted to fit any building (curved surfaces, corners at variable angles, service ducts, staircases).

SPECIFIC PROTECTION 130/135

• Industrial protection	131/133
• Individual protection	134/135

TECHNICAL SOLUTIONS 136/141

• Solutions for panels: thermo-welding, thermoforming, fixing	136/137
• Solutions for handrails	138/139
• Tools	140/141

COLOUR AVAILABILITY SUMMARY CHART 142/145

DOCUMENTS AND SAMPLE CARDS AVAILABLE 146/147

ALPHABETIC INDEX 148

ABOUT US

A GERFLOR GROUP COMPANY

• Wall Protections and Handrails Specialist

SPM, a Gerflor Group company, offers solutions for protecting walls, doors and corners and for assisting people moving around in compliance with legislation applicable to public buildings.

Present in **education, healthcare, housing, sport, hospitality and industry markets...** and aware of the requirements of each, SPM develops products that are resistant to shocks, scratches, cleaning agents and disinfectants, Bs2d0 fire-rated and easy-to-install while adopting an environmentally responsible approach.

SPM wall protections and handrails blend seamlessly into all locations thanks to a **wide choice of colours and designs.**

Because providing you with solutions perfectly tailored to your needs has been our priority for nearly 40 years, we have established sales divisions near you. In France and in other countries, your SPM contacts know your infrastructures, your requirements, those relevant to your sector of activity and can answer any technical questions you may have.



• Near you across the world

SPM has a very strong presence in France. For other markets, the company benefits from the experience and performance of a sales network developed by GERFLOR Group in more than 100 countries.



• An attentive and responsive team

- Tools to help you make your choice (brochures, technical specifications, colour charts, etc.)
- Experts present on-site to give you the best advice for your specific project
- Price offers and estimates calculated according to your precise needs
- An Engineering & Design Office at your service for custom projects
- Attractive pricing terms
- Quick delivery times
- Support with product installation



Injection mould - Impact 200 end piece

• An organizational system designed to support you well

- Marketing & Communication: responsible for our corporate image and product development, this department coordinates our quality approach across all markets.
- R&D: a true driving force in our business, this department creates, tests and develops protection solutions meeting your expectations.
- Sales Team: our male and female sales representatives have extensive technical knowledge. They assess your needs and adapt their advice accordingly, from invitations to tender through to installation.
- Production and Logistics: this department selects our suppliers from among leading players in each sector. Deploying modern and well-integrated production facilities, it manages all stages from the manufacturing process through to on-site delivery.
- Technical Assistance Support (TAS) : our expert consultants visit your sites to give support. They also provide technical training on how to install our products (contact us).



◀ Decoprint panel

◀ Linea'Flex
corner protection

Escort handrail
▼

Linea'Punch Neo
protection rail
▼

RESPONDING TO ALL YOUR DEMANDS



Decoclean
panel
▼



▲
Decoprint panel

PRIORITY TO HYGIENE

• Hygiene standards

SPM commissioned an independent laboratory's hospital hygiene department, the Institute Pasteur of Lille, to perform a cleaning/decontamination study on its products. The tests conclude that SPM products, when cleaned in accordance with methods, detergents and disinfectants used within hospitals, can achieve effective decontamination levels and maybe also used in infectious risk critical areas.

(Test reports No. C/0510506M and 1100908M))

• Bacteriostatic PVC

The entire SPM range is specially designed to prevent build-up of dust and germs. The non-porous surface and rounded design of every product are the result of in-depth engineering studies.

(Nosoco. tech laboratories, test reports n°10053101 and 10053102))

• Chemical resistance

SPM uses independent testing laboratories to demonstrate how well its PVC extruded sections stand up to standard cleaning, disinfection and antiseptic products used in the healthcare and public buildings.

*(ANIOS Laboratory, test report n°17242.04/219,
BIOQUELL® test report n° TD 041-003-14)*



99 % of bacteria
killed after 24 hours*

* according to JIS Z2801 on staphylococcus aureus



100% of bacteria
are killed 30 minutes
after decontamination



PRIORITY TO PROTECTION

• Impact resistance

To guarantee impact resistance, SPM tests its products in real operating conditions. The weights to which they are subjected correspond to those of trolleys and the impact speeds reflect those of people on the move (320 kg at a 3 km/h speed).

• Wrenching strength SPM

Several SPM products have been subjected to extremely severe tests and have demonstrated their ability to resist tear-off.

(CSTB Test n°BP13-6-4042-2)

• Fire rating

Whatever its colour, the formula for SPM antibacterial PVC includes Bs2d0 fire rating according to EN 13501-1. To be eligible for this classification, our products (profiles and accessories) are submitted to full tests carried out by the licensed laboratories.

A RANGE THAT RESPECTS THE ENVIRONMENT

European REACH Regulations

European Registration, Evaluation, Authorisation and restriction of CHEMicals (REACH) regulations are intended to improve protection standards for human health and the environment. They require all manufacturers to declare any chemical substances listed as hazardous that may be used in the composition of their products. None of the substances used to manufacture SPM products appears in the list drawn up under the REACH regulations.

Health, Quality and Environmental guidelines:

SPM products are suitable for use in building projects adopting High Quality Environment (HQE) standards.





SPM manufactures wall protection products and handrails from non-polluting and eco-friendly materials. All SPM products exceed the requirements of current regulations.

EXEMPLARY COMPOSITION

- **Non-polluting materials**

SPM PVC products contain no heavy metals such as lead, cadmium, arsenic, tin, etc. and are PBT-free (Persistent Bioaccumulative Toxins) / BPA-free (Bisphenol A).

- **Calcium-zinc thermal stabilisation**

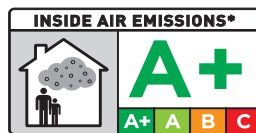
SPM has chosen to use calcium-zinc stabilisation, which is non-toxic and poses no environmental threat. SPM is therefore ahead of the game, emphasising yet again its commitment to sustainable development.

- **Air quality**

Our products are tested according to the norms serie ISO 16000-6.

They have a rate of less than $100 \mu\text{g}/\text{m}^3$ over 3 days, that is to say a tiny rate compared to the required threshold.

Our panels were rewarded with **Greenguard Gold label** for their low emission ensuring good air quality indoor.



According to French regulations
* Information about the emission level of volatile substance in inside air, involving a toxic risk by inhalation, on a scale from A+ (very low emissions) to C (high emissions).



RECYCLING

Our materials are mainly PVC and aluminium and thus 100% recyclable. To this end, all the offcuts from the manufacturing process are also recycled.

REDUCED ENVIRONMENTAL IMPACT DURING INSTALLATION AND IN USE

- **Adhesives**

We recommend the use of SPM adhesives when installing our products, either a water-based acrylic adhesive or a universal mastic glue on a MS polymer base. These adhesives use no solvents and thus present no threat to either the users' health or the environment.



- **Reduced levels of waste through custom-made lengths**

SPM offers a pre-cutting service (standard lengths from the catalogue or made-to-measure) that eliminates wasteful offcuts and recycles the offcuts from the sizes cut to length.

- **Cleaning and maintenance**

The products are easy to clean and reduce the consumption of both water and cleaning products.

- **Durability**

SPM solutions extend infrastructural life spans and also extend considerably the intervals between wall repair and renovation work.

SPM CONTINUES TO INNOVATE FOR YOU

IN A NUMBER OF OTHER DOMAINS

Specialist in wall protections and handrails for nearly 40 years, SPM develops innovative and decorative solutions to protect, enhance and ensure the sustainability of your walls and doors.

SPM IN BIMOBJECT

Always attentive to the needs of its customers and partners, SPM offers the opportunity to download BimObject in Revit and ArchiCAD covering its entire range.

A NEW COLOUR CHART

A new design and trendy colour chart with 47 colours and decors created with the help of our partner architects and colourists in order to offer you an even wider choice:

- **Basalt black, Magnolia pink,**
- 3 metallic **Decosmic** colours, perfect as part of a contemporary decor scheme,
- 7 **Decowood** decors for a designer feel with warmth,
- 4 **concrete or metalized** decors for **Decotrend**, essential decor looks!



DECOPRINT PRINTED PANELS

Decoprint printed panels, created by SPM, protect and personalize your walls and doors using digital printing (reproduction of photos, drawings, messages, logos, etc.). In 1 mm or 2 mm version, these panels are the ideal decoration or protection solution adding an aura of elegance and originality to your establishment.

ACCESSIBILITY

We have developed numerous solutions to meet accessibility requirements:

- **Adjustable and variable 3D angle Rapid'Angle®** to fit in all staircases layouts and to all angles from 80° to 180°.
- **The option of high visual contrast** using a well thought-out range of colours that provide wall protection in neutral and natural shades against which our handrails, in their acid, bright colours, stand out and are immediately visible to users with impaired vision.
- **Powerful visual identifiers** based on outline shapes and inlays that customize doors and walls and make it easier to recognise places and find one's way, especially for those with impaired cognition.
- **Tactile identifiers** are available for Escort handrails using their unique design of finishing strip that can be customized on request.
- **A double bracket** for the simple installation of Escort handrails at two heights, one standard, the other for children and those using wheelchairs.





DECOCHOC H₂O PANELS

NEW
COLOURS

The innovative solution for protecting walls and doors in wet rooms. The formulation and grained surface are perfectly suited to wet areas and provide total and long-lasting watertightness. It has been certified by a Technical Approval from CSTB.



PROTECTION HANDRAILS ESCORT'DUO & LINEA'DUO

NEW

Escort'Duo and Linea'Duo protection handrails are designed to ensure the double purpose of wall protection and handrail, in corridors with high impacts of wheeled equipments.

Ideal for all public buildings (hospitals, clinics, reeducation centres, homes for the elderly), they provide different choices:

- Select the shape of the upper part of the handrail: round with Escort'Duo or trilobed with Linea'Duo.
- Select the one colour or the two-colour option to differentiate the handrail from the wall protection rail.



The bactericidal joints used with our handrails help in the fight against the transmission of hand-borne contamination, which is responsible for the great majority of hospital acquired infections.

(Nosoco. tech laboratories, test report n°08112803)

Most of our profile strips come with a **peel-off protective film** to protect them from any marks whilst work is in progress. When left on until the time of acceptance, this film prevents the need for complete cleaning of our products.

SPECIFIC SOLUTIONS PER SECTOR

+ HOSPITALS - CLINICS

- **Priority for Hygiene**

In operating theatres, clean-rooms, laboratories... hygiene has to be the number one priority more than anywhere else. We develop antibacterial and bacteriostatic PVC that do not collect germs and are resistant to disinfectants.

- **Impact resistance**

Each corridor, each passage way has its own traffic. Our wall protection systems and handrails fit in with different impact intensities or wear, from occasional passage to heavy traffic.

- **Easy maintenance**

Non-porous surfaces and curved shapes have been developed with hygienists to prevent germ incrustation. Our PVC is resistant to solvents, diluted acids and industrial detergents.

- **Simplified installation**

Our products are designed to be easily installed and to limit noise and chemical pollution during the installation: easy and quick fitting together, odourless glues.



RETIREMENT HOMES - DISABILITY CENTERS

- **Comfort**

As the bedroom becomes the patient's main living room, the risks related to moving furniture is increased (beds, wheelchairs, service trolleys, chairs...). SPM wall protections protect against wear, whilst providing well-being and comfort.

- **Ergonomics**

Our handrails are especially designed for a perfect handgrip and provide safe support for users.

- **Living environment**

SPM wall protections and handrails enhance interiors whilst offering a warmer living environment, and contribute to well-being of the elderly. Pastel or bright, colours will fit perfectly into the existing décor and facilitate visual guidance.



EDUCATION

- **Heavy traffic**

In public areas, the heavy and repeated flow of pupils or equipment creates premature and intensive wear and tear. So that these living and working areas are friendly and resistant, SPM has designed ranges of wall protections to meet these requirements.

- **Maintenance**

SPM protection systems reduce wear and tear as well as impacts on walls and extend the lifetime of buildings. Easy to clean and maintain, they contribute towards reducing maintenance costs.

- **Aesthetic**

SPM solutions help you to create and preserve pleasant settings, colourful and fun décors which encourages the well-being of toddlers. They enhance your premises whilst maintaining them in good condition.



INDUSTRY

- **Controlled environment**

In the pharmaceutical sector, especially in clean rooms, the control of bacteriological contamination is essential. SPM develops solutions that meet these requirements.

- **High impact resistance**

High-load trolleys pass through corridors, technical areas, logistical premises. SPM wall protections provide unmatched impact resistance and protect premises for a long time.

- **Quick installation**

On-going activity must not be interrupted. SPM wall solutions are easy and quick to install, ensuring very short period of downtime of the premises.



HOTELS - CATERING

- **Enhance your image**

In an environment constantly and heavily frequented by people, a refined and welcoming decor adds to the appeal of your establishment. SPM's decorative and easy-to-maintain solutions preserve walls and doors against wear and tear due to luggage, cleaning trolleys, chairs and tables, traces of soiling around handles, etc. They can provide a decorative touch or blend discreetly into the background.



HOUSING

- **Protecting infrastructure**

Given high foot traffic and potential soiling or damage, it is essential to protect building infrastructure. SPM solutions preserve premises durably against impacts on walls, doors and corners and facilitate maintenance and cleaning. They contribute to a pleasant and safe living environment and meet relevant health and safety requirements.



SPORT

- **Large width protection**

In gymnasiums, impacts (of balls, sticks, studs...) can appear anywhere. So it is important to protect the more exposed areas: lower parts of walls, doors, angles, in order to keep the premises in a good state. In other areas where physical activities are practiced (dancing, fitness and martial arts), the wall protection protects from wear and tear and makes maintenance easier.

- **Wet areas**

The cloakrooms and notably the shower areas have to be protected against the damaging effects of moisture: corrosion, moulds. SPM solutions contribute to making these areas more watertight: welded panels and doors protected with bends and cutouts.





HERE NOTHING
IS LEFT TO
CHANCE
.....
HOSPITALS
CLINICS





HERE NOTHING IS LEFT TO CHANGE

HOSPITALS - CLINICS

WALL PROTECTION														CORNER						
Linea'Punch Neo	Impact 200 / Combo'Punch 200	Impact 120 / Combo'Punch 125	Impact 60 / Combo'Punch 100D	Contact 350	Contact 200 / Combo'Clad 200	Combo'Clad 150	Decochoc (edge to edge, silicone joint)	Decochoc (hot welded)	Decosmic	Decowood / Decotrend - Panels	Decoclean	Decochoc, Decowood and Decotrend H ₂ O	Combo'Bedkit	Decofresc - Decorative frescoes	Decoprint	Plac'Inox	Cornea	Corneaflex	Combo'Corner	Linea'Flex

ACCOMMODATION: Corridors

Patient rooms, Common areas	●	●	○	○	○	●	●	●	●	●	●	●	●	●	●	●	●	●	●	○
Hospital room (including bathrooms)	●	●	○	○	○	○	●	●	●	●	●	●	●	○	○	○	○	○	○	○
Patient bedroom	●	●	○	○	○	○	●	●	●	●	●	●	●	○	○	○	○	○	○	○

Other

Treatment preparation room, nursery, staff room	●	●	○	○	○	○	●	●	●	○	○	○	○	○	○	○	○	○	○	○
Patient lounge, relaxation room	●	●	○	○	○	○	●	●	●	●	●	●	●	○	○	○	○	○	○	○
Service premises (laundry and equipment store)	●	●	○	○	○	○	●	●	●	●	●	●	●	○	○	○	○	○	○	○

TECHNICAL MEDICAL PLATFORM: Emergencies

Corridors	●	●	○	○	○	○	●	●	●	●	●	●	●	○	○	○	○	○	○	○
Reception, waiting room	●	●	○	○	○	○	●	●	●	●	●	●	●	○	○	○	○	○	○	○
Examination and treatment room	●	●	○	○	○	○	●	●	●	●	○	○	○	○	○	○	○	○	○	○

Surgery or obstetric examination unit

Corridors	●	●	●	○	○	○	●	●	●	●	●	●	●	○	○	○	○	○	○	○
Operating theatre	○	○	○	○	○	○	○	○	○	○	○	○	○	○	○	○	○	○	○	○
Recovery room	○	○	○	○	○	○	○	○	○	○	○	○	○	○	○	○	○	○	○	○

Laboratories-Sterilisation

Laboratories	●	●	○	○	○	○	●	●	●	●	●	●	●	○	○	○	○	○	○	○
Central sterilisation and conditioning	●	●	○	○	○	○	●	●	●	●	●	●	●	○	○	○	○	○	○	○

Day-time hospital, consultation, functional rehabilitation, central pharmacy, morgue

Waiting room and corridors	○	○	●	○	○	○	○	○	○	○	○	○	○	○	○	○	○	○	○	○
Consultation and external examination room	○	○	○	○	○	○	○	○	○	○	○	○	○	○	○	○	○	○	○	○
Laundry and clean equipment store, pharmacy store	●	●	○	○	○	○	○	○	○	○	○	○	○	○	○	○	○	○	○	○
Physiotherapy and occupational therapy room	○	○	○	○	○	○	○	○	○	○	○	○	○	○	○	○	○	○	○	○

Administration, general services and facilities

Staff restaurant, cafeteria	○	○	○	○	○	○	○	○	○	○	○	○	○	○	○	○	○	○	○	○
Laundry, laundry store	●	●	○	○	○	○	○	○	○	○	○	○	○	○	○	○	○	○	○	○
Toilets, cloakrooms	○	○	○	○	○	○	○	○	○	○	○	○	○	○	○	○	○	○	○	○
Central laundry, central kitchens and annexes	●	●	○	○	○	○	○	○	○	○	○	○	○	○	○	○	○	○	○	○

Reception and corridors

Hall and elevator landing	○	○	○	○	○	○	○	○	○	○	○	○	○	○	○	○	○	○	○	○
Stairs	○	○	○	○	○	○	○	○	○	○	○	○	○	○	○	○	○	○	○	○

LOGISTIC AREAS AND CAR PARKS

Corridors	○	○	○	○	○	○	○	○	○	○	○	○	○	○	○	○	○	○	○	○
Storage	○	○	○	○	○	○	○	○	○	○	○	○	○	○	○	○	○	○	○	○
Car parks	○	○	○	○	○	○	○	○	○	○	○	○	○	○	○	○	○	○	○	○



PROTECTION					DOOR PROTECTION					HANDRAILS										IP*								
Protecta 2 / Combo'Flex	Profila / Combo'Line	Decosmic corner L-bent (in line with walls)	Decowood / Decotrend corner L-bent (in line with walls)	Profil'Inox	Complete doors (2 sides)	1/2 height door	Foot-height door	1/2 height decorative door	Handplates	1/2 height door - Inlaid signage	Bendings, edges and frames	Plac'Inox	Escort'Duo	Linea'Duo	Performer 2 / Combo'Duo	Starline - PVC sheathed	Starline - Anodised	Linea'Touch+ - PVC sheathed	Linea'Touch - PVC sheathed	Linea'Touch - Decowood	Linea'Touch - Anodised	Escort - PVC sheathed	Escort - Decowood	Escort - Anodised	Elasto'Flex 100V	Elasto'Punch 200E	Elasto'Punch 100D	
●	○			○		●		●		●		○	●	●	●	●	○	●	●	○	○	●	○	○				
●	○	●	●		●	○					●																	
●	○	●	●	○	●	○				●	●	○																
○				○	●	●							●	●	●	○		●	○									
○				○	●	○																						
●	○	●		○	●	○						●																
●	○	○	●	○		●	○	○	○	●			●	●	●	○	●	●	○	○	●	○	○					
○				○	●	●		●		●	●	○																
●	○	○	○	○	●	○	○	○	○	○	○																	
○		○	○	○	●	●	●	●	●	●	●	○														●	●	●
●	○	●		○																								
●	○	●		○																								
																										●	●	●

* Industrial protection



CONTRIBUTING
TO RESIDENT
WELL-BEING

.....
RETIREMENT HOMES
DISABILITY
CENTERS





CONTRIBUTING TO RESIDENT WELL-BEING

RETIREMENT HOMES - DISABILITY CENTERS

WALL PROTECTION														CORNER						
Linea'Punch Neo	Impact 200 / Combo'Punch 200	Impact 120 / Combo'Punch 125	Impact 60 Combo'Punch 100D	Contact 350	Contact 200 / Combo'Clad 200	Combo'Clad 150	Decochoc (edge to edge, silicone joint)	Decochoc (hot welded)	Decosmic	Decowood / Decotrend - Panels	Decoclean	Decochoc, Decowood and Decotrend H ₂ O	Combo'Bedkit	Decofresc - Decorative frescoes	Decoprint	Plac'Inox	Cornea	Corneaflex	Combo'Corner	Linea'Flex

CORRIDORS

Moderate traffic corridors	●	●	○		●	●		●		●	●					●		●	●	●	●
Elevator	●	●	●	○				●		●						●					
Elevator landing	●	●	●	○				●		●						●		●	●	●	○

ACCOMMODATION AND ROOM SERVICE

Patient room	●	●	○		●	●	○	●		●	●		●		●						●
Wash room								●		●		●				○					●
Sanitary arrangements					○	○		●		●		●			○	○					●

PUBLIC PREMISES

Residents' dining room, entertainment rooms	●	●	●		●	○		●		●	●				●	●					●
Relaxation, leisure room					●	○		●		●	●				●						●

CONSULTATION AND TREATMENT UNITS

Nursing station			●	○		●	○	●		●	○				●						●
Consultation room					○	●	○	●		●	○	○			○	●					●
Physiotherapy, occupational therapy and functional rehabilitation room								●		●					○	●	○				●

TECHNICAL PREMISES

Product and equipment storage (treatments, nappies)	●	●						●								○		●	●	●	○
Laundry room, laundry storage	●	●						●								○		●	●	●	○
Central kitchen and annexes	●	●	●					●				●				○		●	●	●	○

LOGISTIC AREAS AND CAR PARKS

Corridors																					
Storage																					
Car parks																					



PROTECTION					DOOR PROTECTION					HANDRAILS										IP*						
Protecta 2 / Combo'Flex	Profila / Combo'Line	Decosmic corner L-bent (in line with walls)	Decowood / Decotrend corner L-bent (in line with walls)	Profil'Inox	1/2 height door	Foot-height door	1/2 height decorative door	Handplates	1/2 height door - Inlaid signage	Bendings, edges and frames	Plac'Inox	Escort'Duo NEW	Linea'Duo NEW	Performer 2 / Combo'Duo	Starline - PVC sheathed	Starline - Anodised	Linea'Touch+ - PVC sheathed	Linea'Touch - PVC sheathed	Linea'Touch - Decowood	Linea'Touch - Anodised	Escort - PVC sheathed	Escort - Decowood	Escort - Anodised	Elasto'Flex 100V	Elasto'Punch 200E	Elasto'Punch 100D
●	○	○	○		●	○	●		●	●				●		●	●	○		●	○					
		●				○								●			●	○			●					
●	○	●	●																							
●	○	●		●	●	●	●			●	●															
●	○	●	●						●		●															
●	○	○	○	○		●		●																		
					●			●	●	●																
				○	●			●	●	●																
				○	●			●	●	●	●													●	●	●
																							●	●	●	

* Industrial protection



A WELCOMING
ENVIRONMENT
FOR PUPILS
.....
EDUCATION





A WELCOMING ENVIRONMENT FOR PUPILS

EDUCATION

WALL PROTECTION													CORNER			P				
Linea'Punch Neo	Impact 200 / Combo'Punch 200	Impact 120 / Combo'Punch 125	Impact 60 / Combo'Punch 100D	Contact 350	Contact 200 / Combo'Clad 200	Combo'Clad 150	Decochoc (edge to edge, silicone joint)	Decochoc (hot welded)	Decosmic	Decowood / Decotrend - Panels	Decochoc, Decowood and Decotrend H ₂ O	Decofresc - Decorative frescoes	Decoprint	Decokid - Educational Panels	Plac'Inox	Cornea	Corneaflex	Combo'Corner	Linea'Flex	Protecta 2 / Combo'Flex

KINDERGARTENS AND NURSERIES

Corridors					○	●	○	●		●			●	●	●				●	●
Entry hall, reception and relaxation areas					○	●	○	●		●			●	●	●				●	●
Classrooms					○	●	○	●		●			●	●					●	●
Stairs								●		●			●						●	●
Play and exercise room					●	○		●		●			●	●					●	●

PRIMARY SCHOOLS

Corridors					○	●	○	●		●			●	●	●				●	●
Entry hall, reception and relaxation areas					○	●	○	●		●			●	●	●				●	●
Classrooms					○	●	○	●		●			●	●						
Stairs								●		●			●						●	●
Play and exercise room								●		●			●	●					●	●

ELEMENTARY AND MIDDLE SCHOOLS

Corridors					●	●	○	●		●			●						●	●
Entry hall, reception and relaxation areas					○	●	○	●		●	●		●						●	●
Stairs								●		●			●						●	●
Classrooms					●	●	○	●		●			●	●					●	●
Physical education areas								●		●			●						○	○
Science and IT rooms, laboratories			●		●	●	○	●		●			○	○						●

HIGHER EDUCATION

Corridors					●	●	○	●		●	○		●						●	●
Stairs								●		●			●						●	●
Teaching rooms					●	●	○	●		●	●		●						●	●
IT rooms																				
Laboratories					●	●	○	●		●		○	○	○					●	●
Accommodation (including student residences)						●	○	●		●			●						●	●

ANNEX TEACHING AREAS

Cafeterias, dining room, multi-purpose room					●	●	○	●		●	●		●	●					●	●
Sanitary arrangements						○		○		●		●	○	○					●	●
Kitchens and annexes	●	●	●	○				●		●		●		○		●	●	●	○	
Corridors in a technical premises area	●	●	●	○				●		●				○					○	
Nursing station, medical area						●	○	●		●	●								●	●
Archives, filing rooms	●	●	●		●	●	○												●	●



PROTECTING
AND ENHANCING
INFRASTRUCTURE

OFFICES
HOTELS
CATERING
HOUSING







EFFECTIVENESS
AND COMPLIANCE
WITH STANDARDS

.....

INDUSTRY
SPORT





EFFECTIVENESS & COMPLIANCE WITH STANDARDS

INDUSTRY - SPORT

INDUSTRY

	WALL PROTECTION														CORNER				P		
	Linea'Punch Neo	Impact 200 / Compo'Punch 200	Impact 120 / Compo'Punch 125	Impact 60 / Compo'Punch 100D	Contact 350	Contact 200 / Compo'Clad 200	Combo'Clad 150	Decochoc	Decosmic	Decowood / Decotrend - Panels	Decoclean	Decochoc, Decowood and Decotrend H ₂ O	Decofresc - Decorative frescoes	Decoprint	Decokid - Educational panels	Plac'Inox	Cornea	Corneaflex	Combo'Corner	Linea'Flex	Protecta 2 / Combo'Flex

LIFE SCIENCES

Laboratory, clean rooms, airlocks								●	●		●			●									
Storage, laundry	●	●			○	○		●	●			●				○	●	●	●	○			

HEAVY INDUSTRIAL TRAFFIC (for areas with non-motorised trolleys)

Corridors	●	●	○		●	●		●	●							○	●	●	●	○		
Conditioning								●	●							○	●	●	●	○		
Production								●	●							○	●	●	●	○		
Storage	●	●	○		●	●		●	●							○	●	●	●	○		○

HEAVY INDUSTRIAL TRAFFIC (for areas with motorised trolleys)

Corridors / Storage / Platforms																						
---------------------------------	--	--	--	--	--	--	--	--	--	--	--	--	--	--	--	--	--	--	--	--	--	--

SPORT

	WALL PROTECTION														CORNER				P		
	Linea'Punch Neo	Impact 200 / Compo'Punch 200	Impact 120 / Compo'Punch 125	Impact 60 / Compo'Punch 100D	Contact 350	Contact 200 / Compo'Clad 200	Combo'Clad 150	Decochoc	Decosmic	Decowood / Decotrend - Panels	Decoclean	Decochoc, Decowood and Decotrend H ₂ O	Decofresc - Decorative frescoes	Decoprint	Decokid - Educational panels	Plac'Inox	Cornea	Corneaflex	Combo'Corner	Linea'Flex	Protecta 2 / Combo'Flex

HEAVY TRAFFIC AREAS

Circulations					●	●	○	●	●	●				●						○	○	
Stairs								●	●					●								

SPORTS AREAS

Gymnasium								●	●				●	●	●					●	●	
Fitness and body building room								●	●	●			●	●	●					●	●	

PUBLIC AREAS

Cafeteria, bar					●	○	●	●	●					●						●	●	
----------------	--	--	--	--	---	---	---	---	---	--	--	--	--	---	--	--	--	--	--	---	---	--

ADMINISTRATION / ADMINISTRATIVE OFFICES

Cloakrooms								●	●	●			●	●	●					●	●	
------------	--	--	--	--	--	--	--	---	---	---	--	--	---	---	---	--	--	--	--	---	---	--

WET ROOMS

Showers / Sanitary arrangements					●	○	○	○				●		○						●	●	
---------------------------------	--	--	--	--	---	---	---	---	--	--	--	---	--	---	--	--	--	--	--	---	---	--

A PALETTE OF 33 COLOURS

LET WALL PROTECTION PLAY A DYNAMIC ROLE IN DECORATION

NATURAL








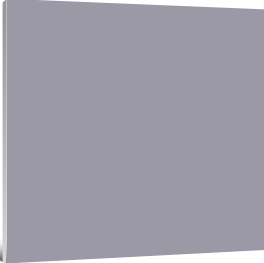




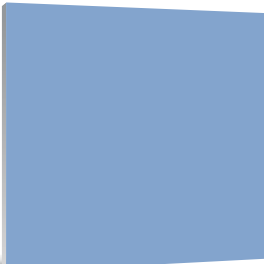




SPM OFFERS...

... a range of colours designed with the help of architects, interior designers, users, etc. The colour chart with 33 colours, from the most sober to the most daring, gives a new identity to interior designs whilst blending perfectly with other decorative elements such as floors, walls, doors, etc.

This palette brings together neutral, sober, mineral shades that blend naturally with architectural design and vivid, refreshing, full-bodied and youthful colours. Tinted greys provide subtle, muted ambiances. Let SPM wall protection play a dynamic role in the aesthetic appearance of your facility.



COLOUR

			
0021 Straw LRV 72.8	0022 Apricot LRV 56.7	0027 Melon LRV 35.9	0028 Poppy LRV 16.7
			
0034 Magnolia LRV 53.6	0015 Lavender grey LRV 34.7	0030 Iris LRV 17.4	0029 Garnet LRV 11.4
			
0016 Glacier LRV 57.6	0018 Azure LRV 44.5	0017 Bluebell LRV 36.9	0020 Denim LRV 16.8
			
0024 Bamboo LRV 52.4	0023 Meadow LRV 53.6	0025 Emerald LRV 29.3	0019 Ultramarine LRV 28.4

Colours are not contractually binding.

PLEASE NOTE

- LRV (Light Reflectance Value) measures based on Decochoc panel.
- In order to speed up delivery of your orders, we have adapted our colour range in line with our products. Most of our products are available in all 33 colours in the range, or 31.
- Each product display page shows the numbers of colours available and there is a summary table at the end of the guide for all the products (p. 142 to 145).

DECOWOOD RANGE

7 WOOD EFFECT DECORS



0060 Maple LRV 50.0



0061 Beech LRV 40.3



0062 Light Oak LRV 35.4



0067 Wenge LRV 6.6



0065 Stripped Pine LRV 37.0



0069 Brown Cedar LRV 18.4

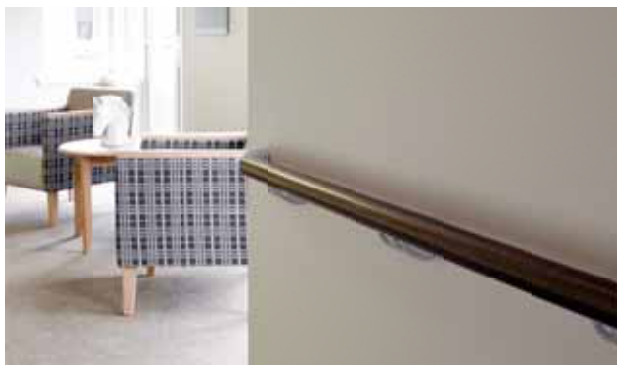


0068 Smoky Cedar LRV 10.5

A COORDINATED RANGE

SPM offers a full range of decorative wood decors for use in those establishments that wish to combine wall protection and handrails with the warmth of wood.

This range consists of products matched to various requirements, providing safety for all with the Escort, Linea and Starline handrails, wall and door protection with Decowood protection panel and corner protection with the bent Decowood panel.

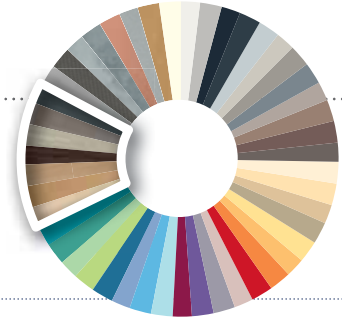


A WIDE CHOICE OF WOOD DECORS

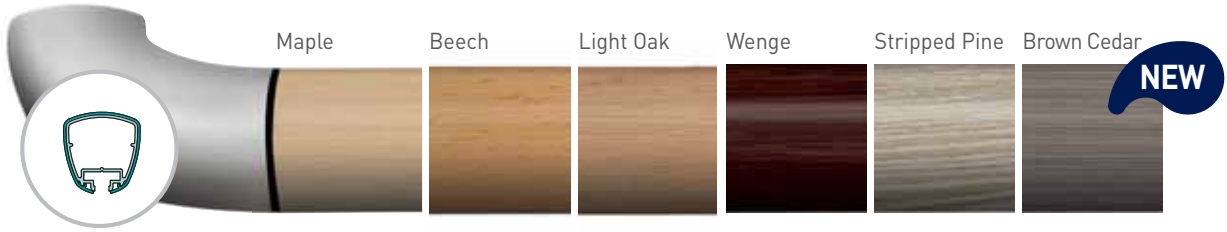
The range has been expanded with two new wood decors, chosen to suit all interiors.

To the five existing decors Maple, Beech, Light Oak, Wenge and Stripped Pine, we have added Brown Cedar and Smoky Cedar.

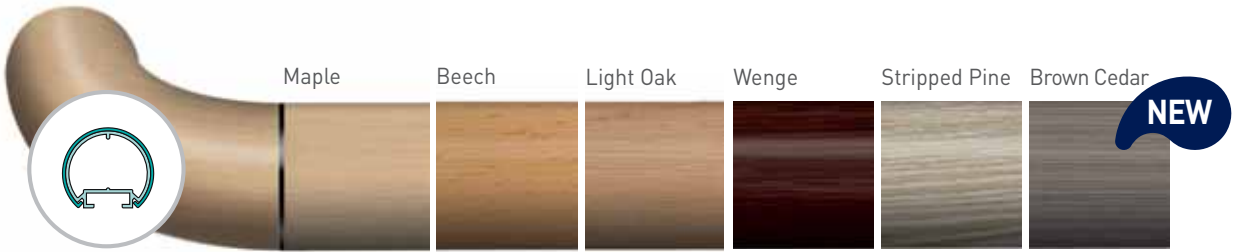




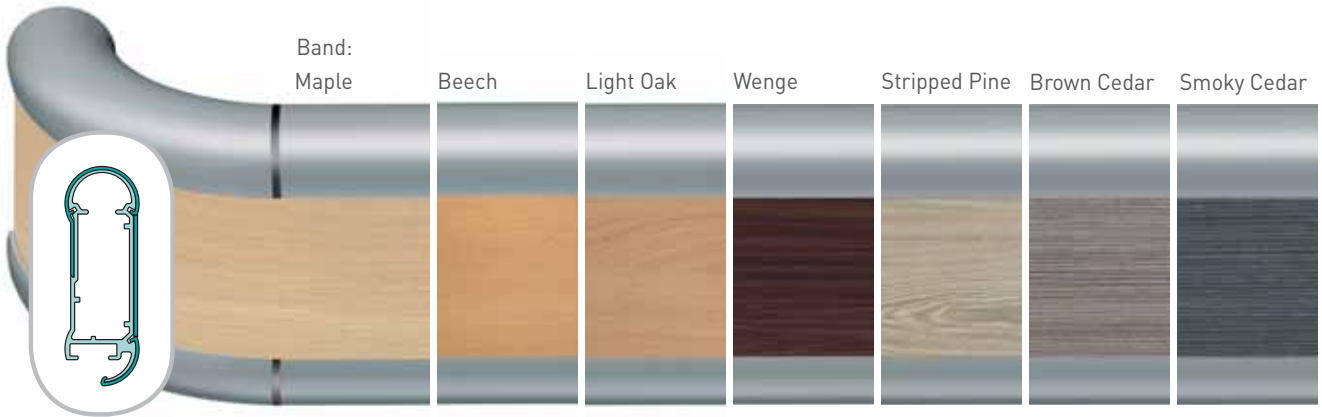
Linea'Touch Decowood Handrail



Escort Decowood Handrail



Starline Decowood Handrail



Adhesive corner protector in bent Decowood

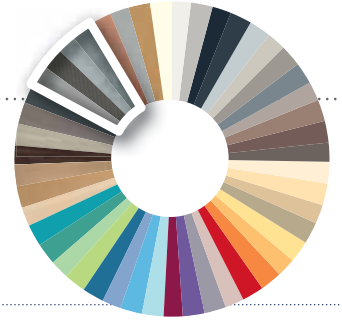


Decowood protection panels



Colours are not contractually binding.

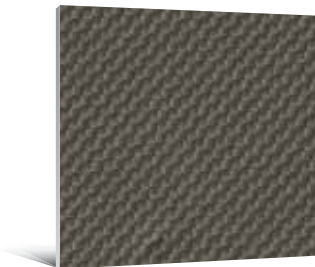
DECOTREND RANGE



4 TREND DECORS



0050 Brushed aluminium LRV 41.4



0051 Composite LRV 16.0



0052 Light concrete LRV 45.8



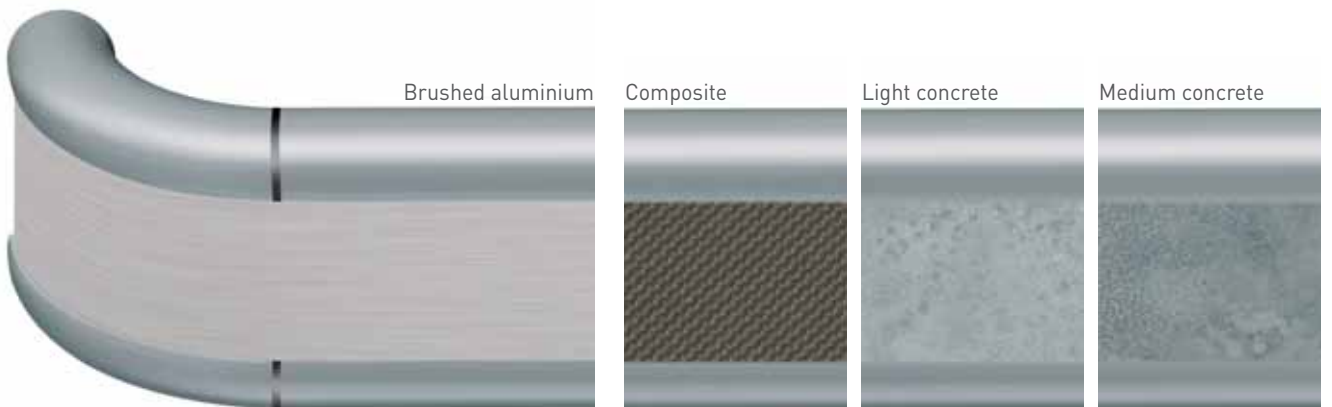
0053 Medium concrete LRV 31.0

TO COMBINE DECORATION AND PROTECTION

SPM has designed some new decors to inspire the creation of individual, distinctive and damage resistant spaces. The overall approach is modern and urban. These decors lend themselves to some astonishing visual effects:

- a shaped perspective view with “Composite”
- a striking appearance of “Brushed Aluminium”
- a resolutely material effect with “Light concrete” and “Medium concrete”.

Starline Decotrend Handrail



Adhesive corner protector in bent Decotrend

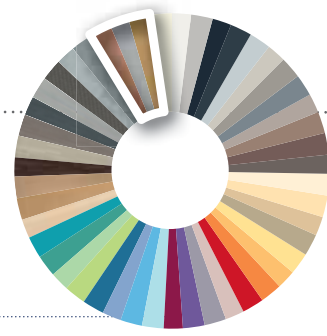


Decotrend decorative protection panel



Colours are not contractually binding.

DECOSMIC PANELS



3 DECOSMIC COLOURS



COLOUR RANGE



0080 Silver LRV 42.4



0081 Copper LRV 20.9



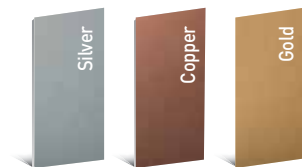
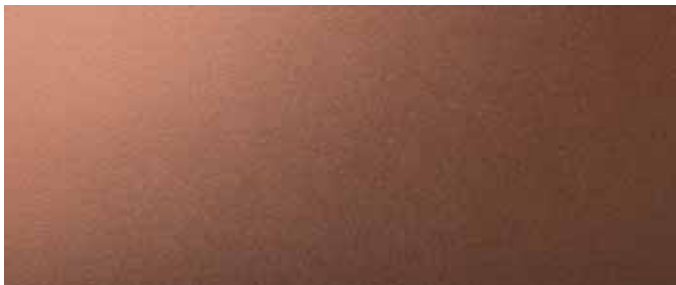
0082 Gold LRV 27.3

The metallic colours of DECOSMIC panels, combining protection with contemporary design, embellish your spaces in a stylishly modern way and create a unique look for your establishment.

- Silver brings elegance, modernity and simplicity.
- Copper, very on-trend, is perfect for creating a contemporary decor look.
- Gold lights up your spaces, enhancing them and creating warmth.

Decosmic protection and covering panel

Metallic look



Adhesive corner protector
in bent **Decotrend**



Colours are not contractually binding.

EARLY CHILDHOOD

Decofresc decorative protection frescoes

Savannah theme



Picture 0



Picture 1



Picture 2



Picture 3

Maritime theme



Picture 0



Picture 1



Picture 2



Picture 3

Mountain theme



Picture 0



Picture 1



Picture 2



Picture 3

Decokid educational panels



1. I cross the road at a pedestrian crossing.



2. Early to bed, early to rise.



3. 30 mph, that's the urban speed limit.



4. I always say, 'Hello'.



5. I always put my rubbish in the bins provided.



6. I always wash my hands before eating.



7. I always wear my seat belt in the car.



8. I take breaks from my video games.



9. I always wash my hands after using the toilets.



10. No pushing.



11. I never leave the tap running.

Colours are not contractually binding.

SAFY RANGE “INDIVIDUAL PROTECTION”

The SAFY range is all about individual protection and SPM has selected colours with two potential requirements in mind:

- The wish to make premises safe in a discreet way with the neutral colours Swan, Fawn and Dolphin,
- The need to provide warning signals while also enlivening spaces with bright Canary.

COLOUR RANGE

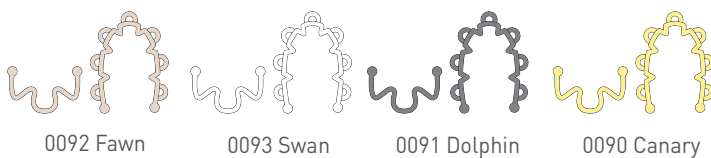
SAFY’CORNER

Safy’Corner 90° adhesive cushioning corner protector



SAFY’DOOR

Safy’Door door finger protection



Colours are not contractually binding.

A PRACTICAL GUIDE

THE SOLUTIONS

SPM has worked closely with its customers, in order to understand their specific needs. This partnership has led to the development of a complete range of solutions that cater for your every need.

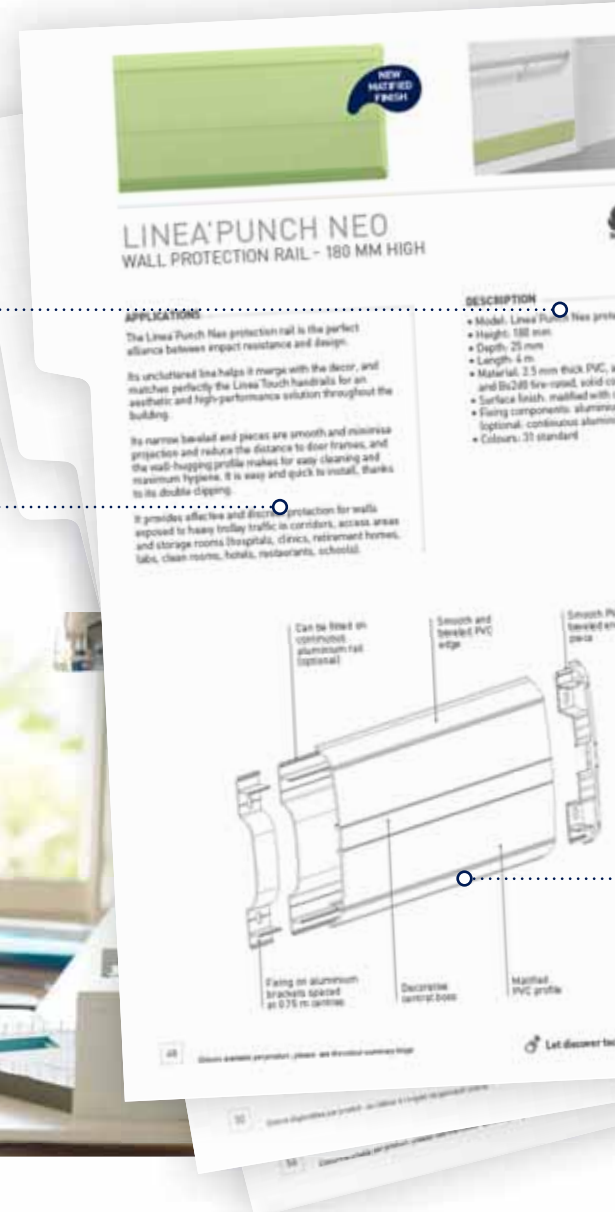
Whether you need to protect walls from impact and wear, shield areas that are prone to damage, or install handrails that provide both protection and aid mobility – whatever you require, SPM has the total solution for you.

Description

States all the details of the concerned product.

Applications

By detailing the practical applications of each product we can help you to make the right choice for your particular needs.



CLASSIFICATION FOR PROTECTION REQUIREMENTS

A COLOUR CODE FOR EVERY APPLICATION

Solutions for “protection” vary according to which areas of a building are subjected to impact, or intensive use by people and mobile equipment.

We have established a classification system for the various applications and have given them a colour code that can be used as a guide throughout our catalogue.



RED > FOR HEAVY TRAFFIC AREAS

Intensively used areas that are subjected to hard impact



ORANGE > FOR MODERATE TRAFFIC AREAS

Standard intensity areas that are repeatedly subjected to impact



BLUE > FOR LIGHT TRAFFIC AREAS

Low intensity areas that are subjected to light impact and localised wear

FOR ANY ADVICE PLEASE CONTACT US

Range of colours

See all the colours available for the product at a glance.

Technical drawings

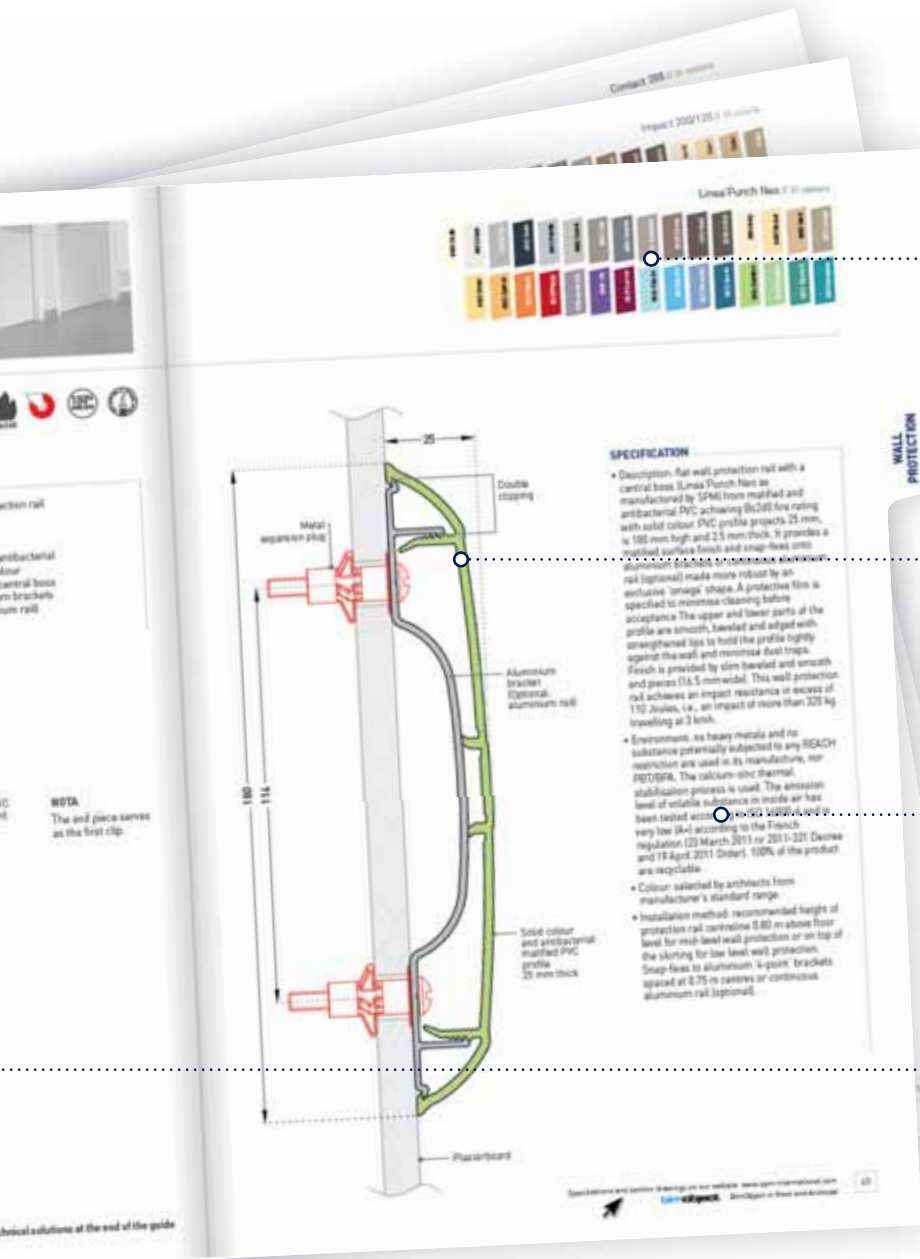
This enables you to see everything clearly (scale 1: for most of the products): the strong points and particulars of each of our products, including the mounting systems.

Specification

It provides you with the necessary information about specifications, such as technical information, a complete description and fitting instructions.

Product overview

This provides you with all the information concerning a particular product, as well as the available options.



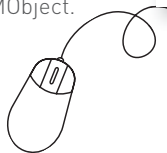
CONVENIENT INTERNET & BIMOBJECT



All technical informations (specifications, scale 1 section drawings and installation instructions are available to download on our website:

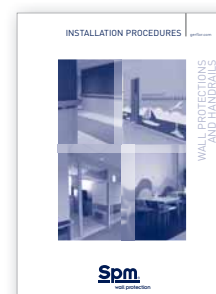
www.spm-international.com

Most of the products are available on BIMObject.



INSTALLATION PROCEDURES

To help with the installation of our products, the installation procedures guide is available upon request.



WALL PROTECTION

All public buildings have similar difficulties: premature deterioration together with wear and tear of their premises.

Corridor walls, corners and doors are constantly knocked by trolleys and are damaged by continuous pedestrian traffic.

In addition to preserving the interior, asepsis is absolutely imperative in operating theatres and clean rooms.

SPM has developed three ranges of products that have been tested in order to offer you the most appropriate solutions – wall protection rails, protection plates, and the decorative protection and covering panels.

All are resistant to impact, germs and cleaning products. They are made from solid-colour and antibacterial PVC therefore the colour will not alter with cleaning or time.



DECOSMIC



DECOWOOD



CONTACT & DECOPRINT



DECOCLEAN



IMPACT



WALL PROTECTION

PROTECTION RAILS AND PLATES



LINEA'PUNCH NEO p.48-49
Wall protection rail
Height 180 mm



IMPACT 200 p.50-51
Wall protection rail
Height 200 mm



IMPACT 120 p.50-51
Wall protection rail
Height 120 mm



IMPACT 60 p.50-51
Wall protection rail
Height 60 mm



COMBO'PUNCH 200 p.52-53
Wall protection rail
Height 200 mm



COMBO'PUNCH 125 p.52-53
Wall protection rail
Height 125 mm



COMBO'PUNCH 100D p.54
Wall protection rail
Height 100 mm



COMBO'BEDKIT p.55
Vertical bed
Head protection



CONTACT 350 p.56-57
Protection plate
Height 350 mm



CONTACT 200 p.56-57
Protection plate
Height 200 mm



COMBO'CLAD 200 p.58-59
Protection plate
Height 200 mm



COMBO'CLAD 150 p.58-59
Protection plate
Height 150 mm



PLAC'INOX p.80
Protection plate

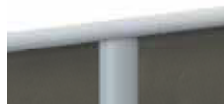


	CODE	DESCRIPTION	MATERIAL	COLOUR RANGE
LINEA'PUNCH NEO		Wall protection rail	PVC	31 colours
IMPACT		Wall protection rails	PVC	31 colours
COMBO'PUNCH		Wall protection rails	PVC	31 colours
COMBO'BEDKIT		Vertical bed head protection	PVC + aluminium	31 colours
CONTACT		Protection plates	PVC	31 colours
COMBO'CLAD		Protection plates	PVC	31 colours
PLAC'INOX		Protection plate	Stainless steel	Brushed

PROTECTION AND COVERING PANELS



DECOCHOC p.60-61
Protection and covering panel
Thickness 2 mm



FIN'ALU p.72
Finishing and jointing profiles



DECOSMIC p.62-63
Protection and covering panel
metallic look - Thickness 2 mm



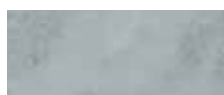
FIN'COLOR p.73
Finishing and jointing profiles



DECOWOOD p.64
Decorative protection panel
Thickness 2 mm



DECOFRESC p.74-75
Protection and decorative frescoes
Thickness 2 mm



DECOTREND p.65
Decorative protection panel
Thickness 2 mm



DECOPRINT p.76-77
Customized protection or decoration
panel - Thickness 2 or 1 mm



DECOCLEAN p.66-67
Smooth protection and covering
panel - Thickness 2 mm



DECOCARE p.78
Hand hygiene panel
Thickness 1 mm



DECOCHOC H₂O p.68-69
Protection and covering panel
in wet area - Thickness 1,5 mm



DECOKID p.79
Educational panel - Thickness 1 mm



DECOTREND H₂O
DECOWOOD H₂O p.70-71
Decorative protection panels in wet
area - Thickness 2 mm

FIXING AND FINISHING p.81
Adhesives, glue, primer..

	CODE	DESCRIPTION	MATERIAL	COLOUR RANGE
DECOCHOC		Protection and covering panel	PVC - 2 mm	33 colours
DECOSMIC		Protection and covering panel Metallic look	PVC - 2 mm	3 colours
DECOWOOD		Decorative protection panel	PVC - 2 mm	7 wood effect decors
DECOTREND		Decorative protection panel	PVC - 2 mm	4 trend decors
DECOCLEAN		Smooth protection and covering panel	PVC - 2 mm	5 colours
DECOCHOC H ₂ O		Protection and covering panel in wet area	PVC - 1,5 mm	12 colours
DECOTREND & DECOWOOD H ₂ O		Decorative protection panels in wet area	PVC - 2 mm	4 decors
FIN'ALU		Finishing and jointing profiles	Aluminium	Satin silver anodised
FIN'COLOR		Finishing and jointing profiles	PVC	33 colours
DECOFRESC		Protection and decorative frescoes	PVC - 2 mm	3 themes with 4 pictures each 2 themes - 33 colours
DECOPRINT		Customized protection or decorative panel	PVC - 2 or 1 mm	-
DECOCARE		Hand-hygiene panel	PVC - 1 mm	2 models
DECOKID		Educational panel	PVC - 1 mm	11 models



**NEW
MATIFIED
FINISH**



LINEA'PUNCH NEO

WALL PROTECTION RAIL - 180 MM HIGH



APPLICATIONS

The Linea'Punch Neo protection rail is the perfect alliance between impact resistance and design.

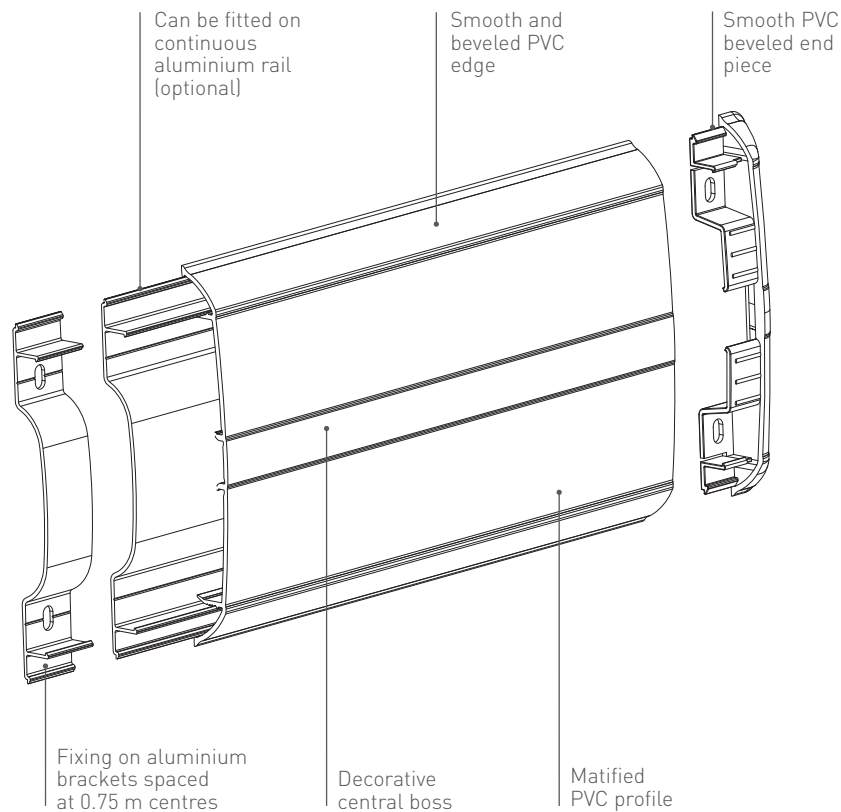
Its uncluttered line helps it merge with the decor, and matches perfectly the Linea'Touch handrails for an aesthetic and high-performance solution throughout the building.

Its narrow beveled end pieces are smooth and minimise projection and reduce the distance to door frames, and the wall-hugging profile makes for easy cleaning and maximum hygiene. It is easy and quick to install, thanks to its double clipping.

It provides effective and discreet protection for walls exposed to heavy trolley traffic in corridors, access areas and storage rooms (hospitals, clinics, retirement homes, labs, clean rooms, hotels, restaurants, schools).

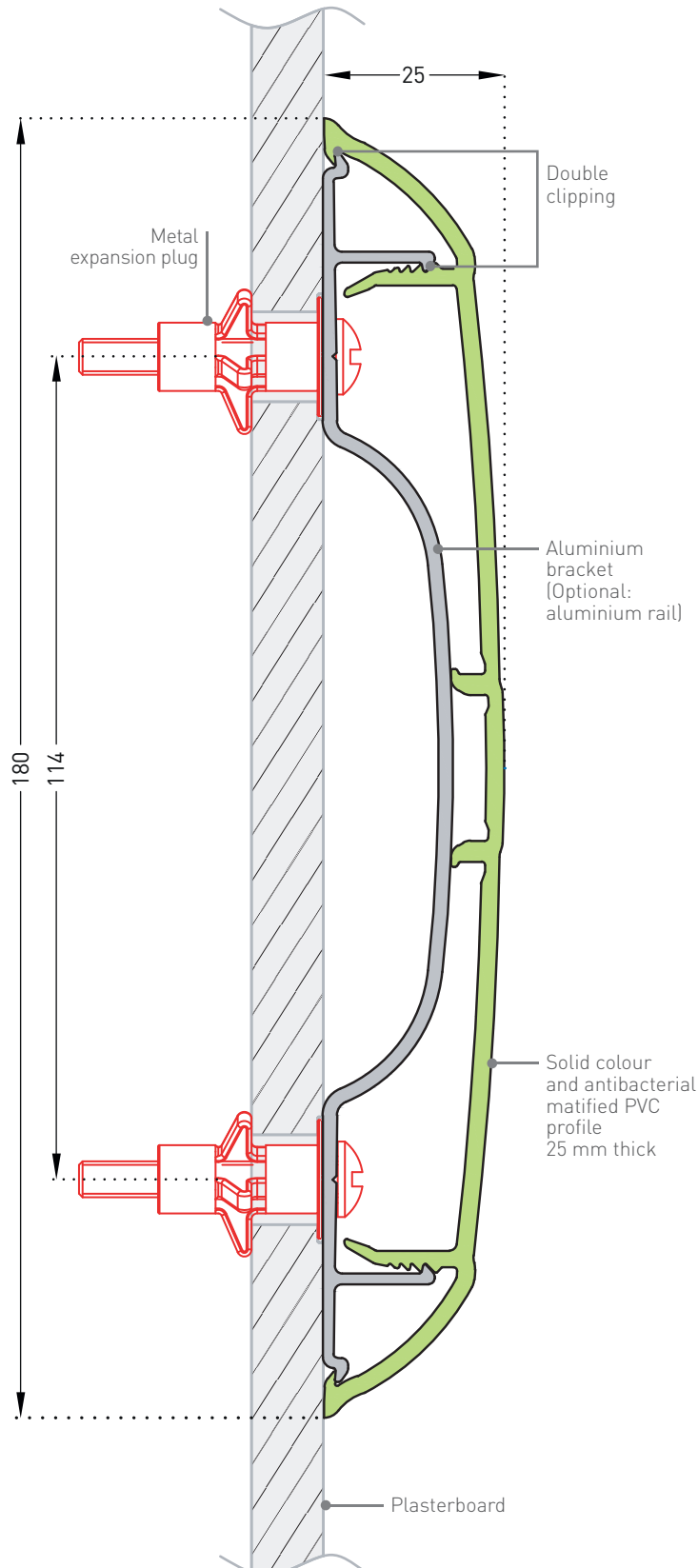
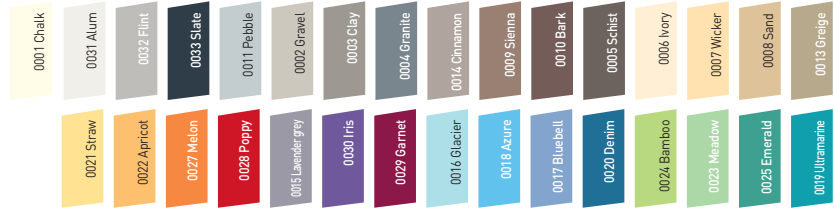
DESCRIPTION

- Model: Linea'Punch Neo protection rail
- Height: 180 mm
- Depth: 25 mm
- Length: 4 m
- Material: 2.5 mm thick PVC, antibacterial and Bs2d0 fire-rated, solid colour
- Surface finish: matified with central boss
- Fixing components: aluminium brackets (optional: continuous aluminium rail)
- Colours: 31 standard



NOTA

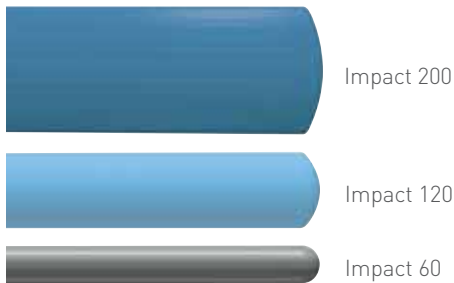
The end piece serves as the first clip.



SPECIFICATION

- Description: flat wall protection rail with a central boss (Linea Punch Neo as manufactured by SPM) from matified and antibacterial PVC achieving Bs2d0 fire rating with solid colour. PVC profile projects 25 mm, is 180 mm high and 2.5 mm thick. It provides a matified surface finish and snap-fixes onto aluminium brackets or continuous aluminium rail (optional) made more robust by an exclusive 'omega' shape. A protective film is specified to minimise cleaning before acceptance. The upper and lower parts of the profile are smooth, beveled and edged with strengthened lips to hold the profile tightly against the wall and minimise dust traps. Finish is provided by slim beveled and smooth end pieces (16.5 mm wide). This wall protection rail achieves an impact resistance in excess of 110 Joules, i.e., an impact of more than 320 kg travelling at 3 km/h.
- Environment: no heavy metals and no substance potentially subjected to any REACH restriction are used in its manufacture, nor PBT/BPA. The calcium-zinc thermal stabilisation process is used. The emission level of volatile substance in inside air has been tested according to ISO 16000-6 and is very low (A+) according to the French regulation (23 March 2011 nr 2011-321 Decree and 19 April 2011 Order). 100% of the product are recyclable.
- Colour: selected by architects from manufacturer's standard range.
- Installation method: recommended height of protection rail centreline 0.80 m above floor level for mid-level wall protection or on top of the skirting for low level wall protection. Snap-fixes to aluminium '4-point' brackets spaced at 0.75 m centres or continuous aluminium rail (optional).





IMPACT

WALL PROTECTION RAILS - 200/120/60 MM HIGH



APPLICATIONS

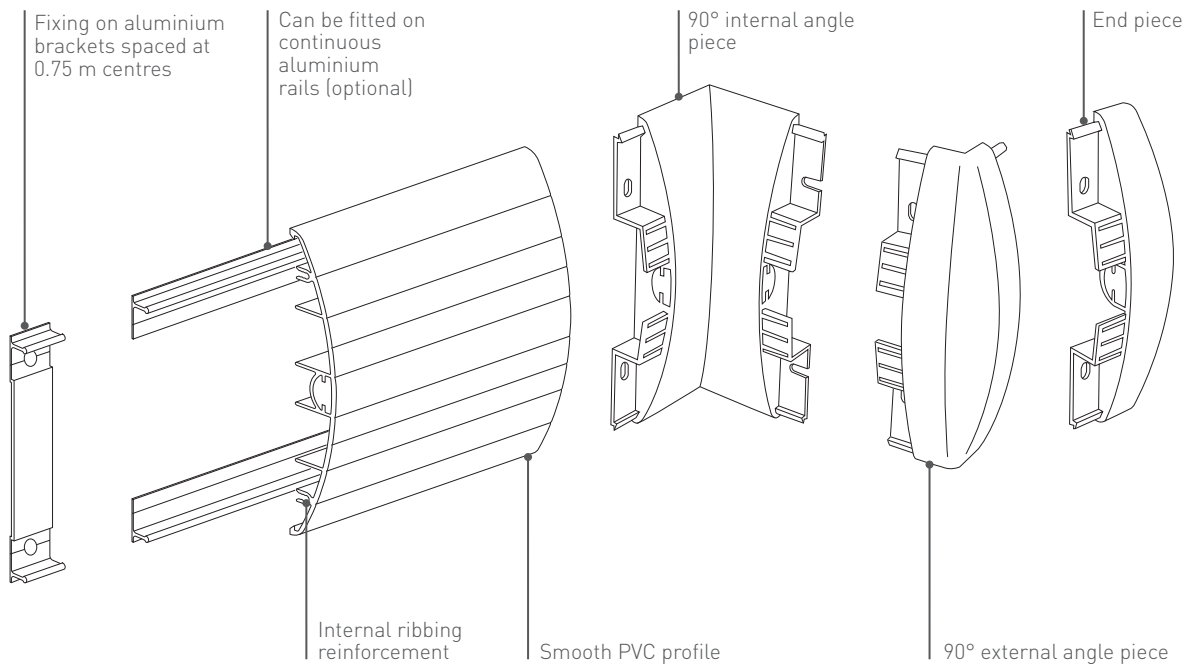
This horizontal protection system features contoured design to bring you the perfect combination of impact resistance and sheer good looks. Fitted at one or two levels, it protects walls exposed to intensive wheeled traffic in corridors, entrances and storage areas (hospitals, clinics, retirement homes, laboratories, hotels, restaurants, schools, department stores).

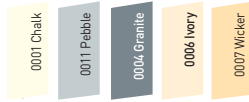
DESCRIPTION

- Model: Impact 200/120 or 60 wall protection rail
- Height: 200/120 or 60 mm
- Depth: 30 mm
- Length: 4 m
- Material: 3 mm thick PVC, antibacterial and Bs2d0 fire-rated, solid colour
- Surface finish: smooth with decorative grooves
- Fixing components: aluminium brackets (optional: continuous aluminium rail)
- Colours:
 - 31 standard for Impact 200 and 120,
 - 5 standard for Impact 60

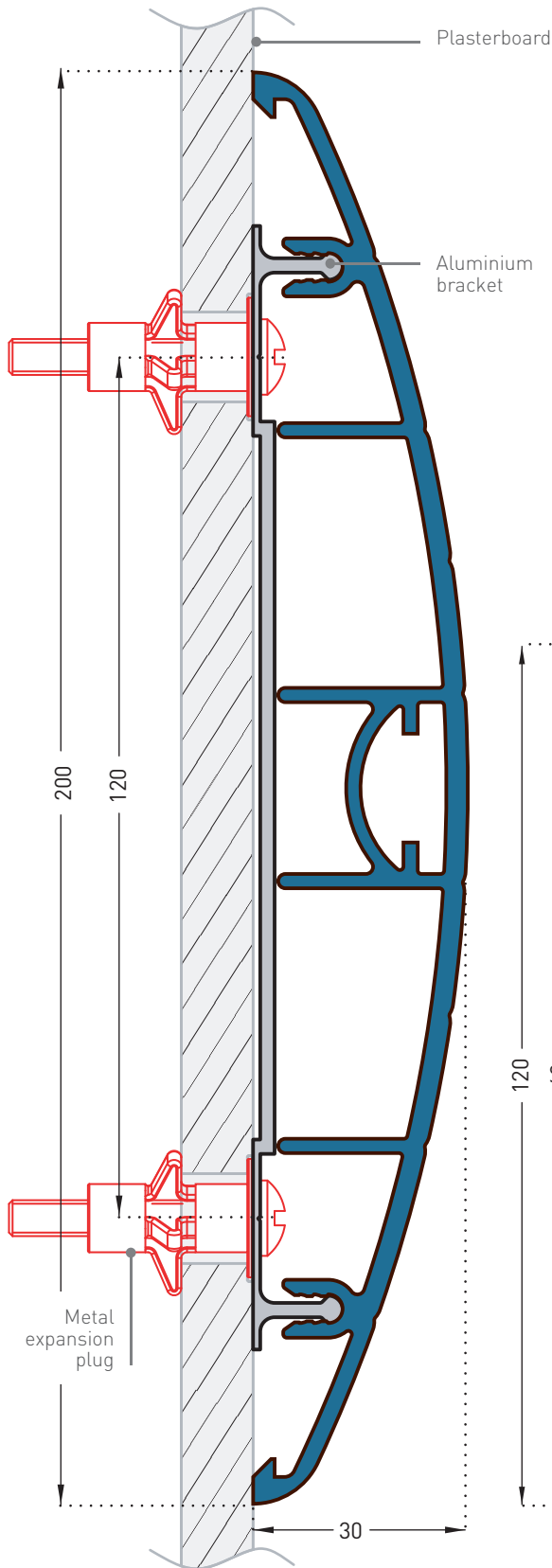
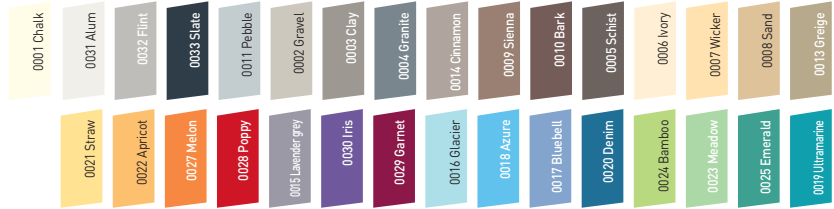
NOTA

The end piece serves as the first clip.



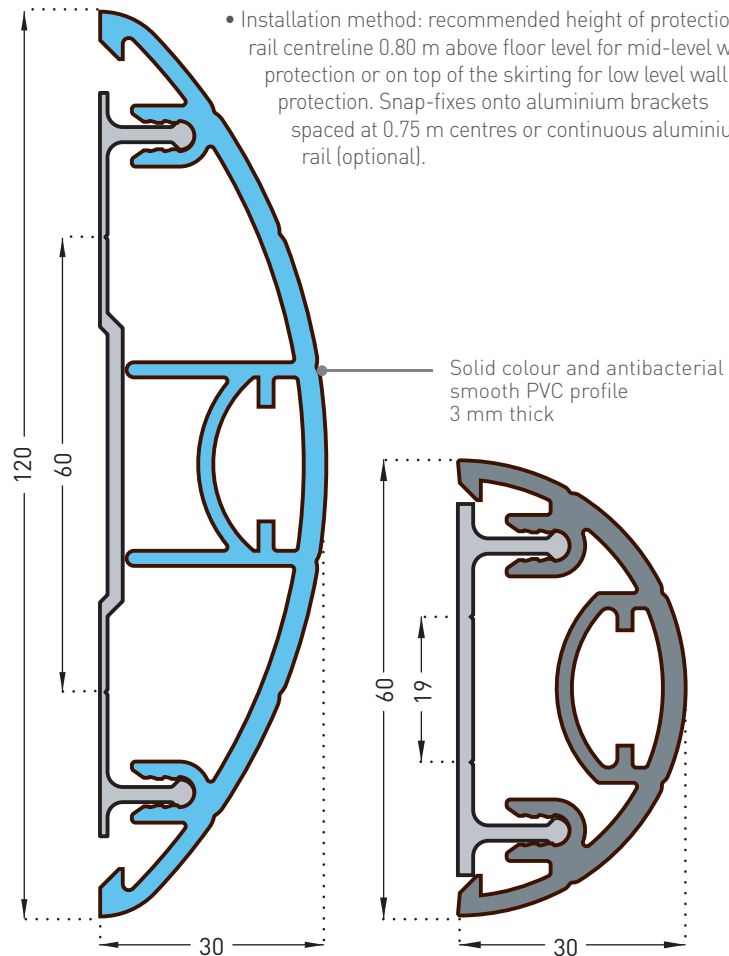


* and 26 colours on request with a minimum order quantity



SPECIFICATION

- Description: curved wall protection rail (Impact 200/120 or 60 as manufactured by SPM) from smooth and antibacterial PVC achieving Bs2d0 fire rating with solid colour. PVC profile projects 30 mm, is 200/120 or 60 mm high and 3 mm thick. It provides a smooth surface finish with decorative grooves and snap-fixes onto aluminium brackets or continuous aluminium rail (optional). A protective film is specified to minimise cleaning before acceptance. Finish is provided by end pieces, external and internal 90° angle pieces in smooth PVC and aluminium joint blocks.
- Environment: no heavy metals and no substance potentially subjected to any REACH restriction are used in its manufacture, nor PBT/ BPA. The calcium-zinc thermal stabilisation process is used. The emission level of volatile substance in inside air has been tested according to ISO 16000-6 and is very low (A+) according to the French regulation (23 March 2011 nr 2011-321 Decree and 19 April 2011 Order). 100% of the product are recyclable.
- Colour: selected by architects from manufacturer's standard range. The colours of accessories are the same as the profile.
- Installation method: recommended height of protection rail centreline 0.80 m above floor level for mid-level wall protection or on top of the skirting for low level wall protection. Snap-fixes onto aluminium brackets spaced at 0.75 m centres or continuous aluminium rail (optional).





Combo'Punch 200

Combo'Punch 125



COMBO'PUNCH

WALL PROTECTION RAILS - 200/125 MM HIGH



APPLICATIONS

These wall protection rails are designed to offer impact protection and scratch resistance against damage caused from both pedestrian and wheeled traffic.

One or two level protection, Combo'Punch 200 and/or 125 protect the walls in corridors, access areas and storage rooms (hospitals, clinics, retirement homes, hotels, restaurants, schools).

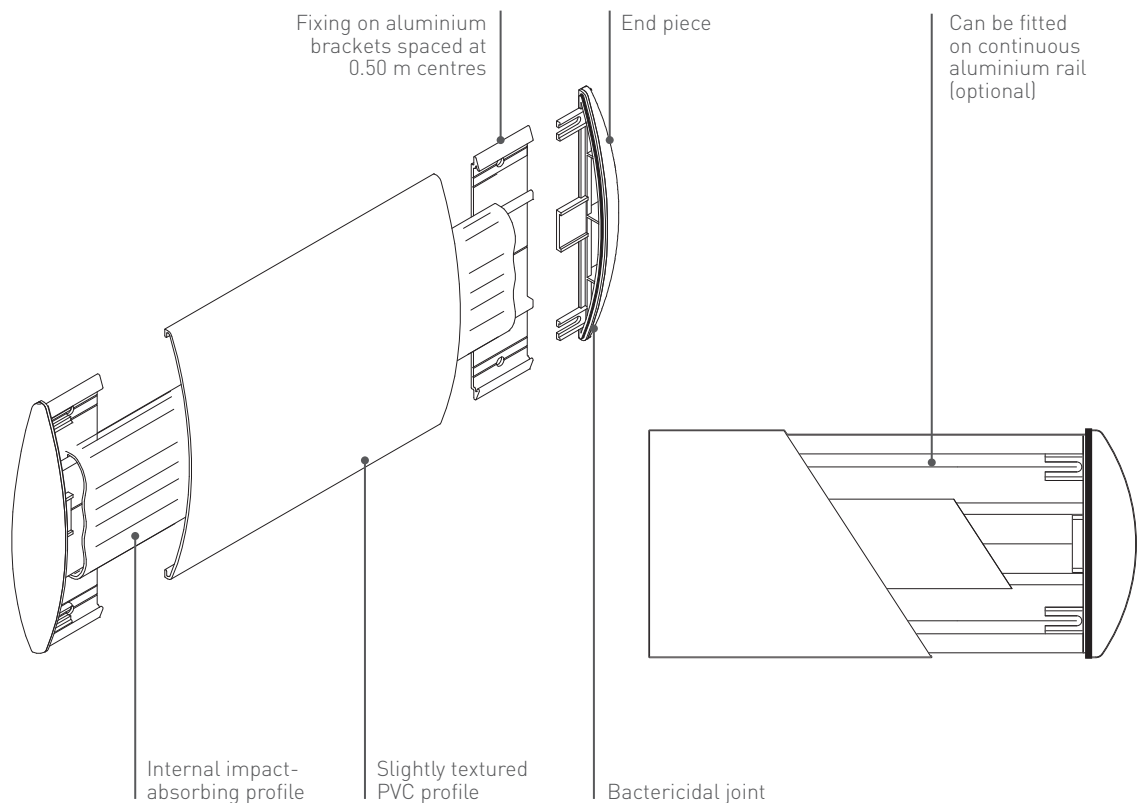
DESCRIPTION

- Model: Combo'Punch 200 or 125 wall protection rail
- Height: 200 or 125 mm
- Depth: 25 mm
- Length: 4 m
- Material: 2 mm thick PVC, antibacterial and Bs2d0 fire-rated, solid colour
- Surface finish: slightly textured («Optimixt» grain*)
- Fixing components: aluminium brackets (optional: continuous aluminium rail) with internal impact-absorbing profile
- Colours: 4 standard

* «Optimixt» grain: optimal combination of scratch resistance, hygiene and aesthetic.

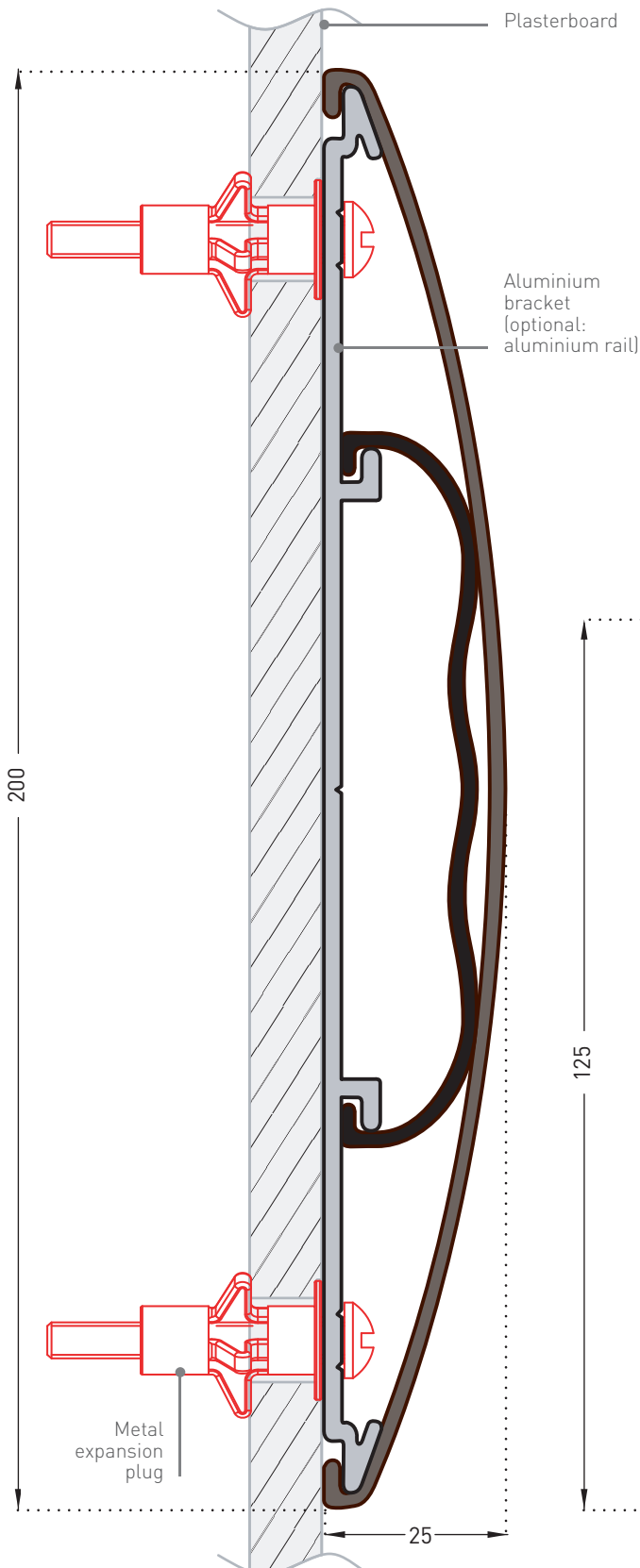
NOTA

The end piece serves as the first clip.



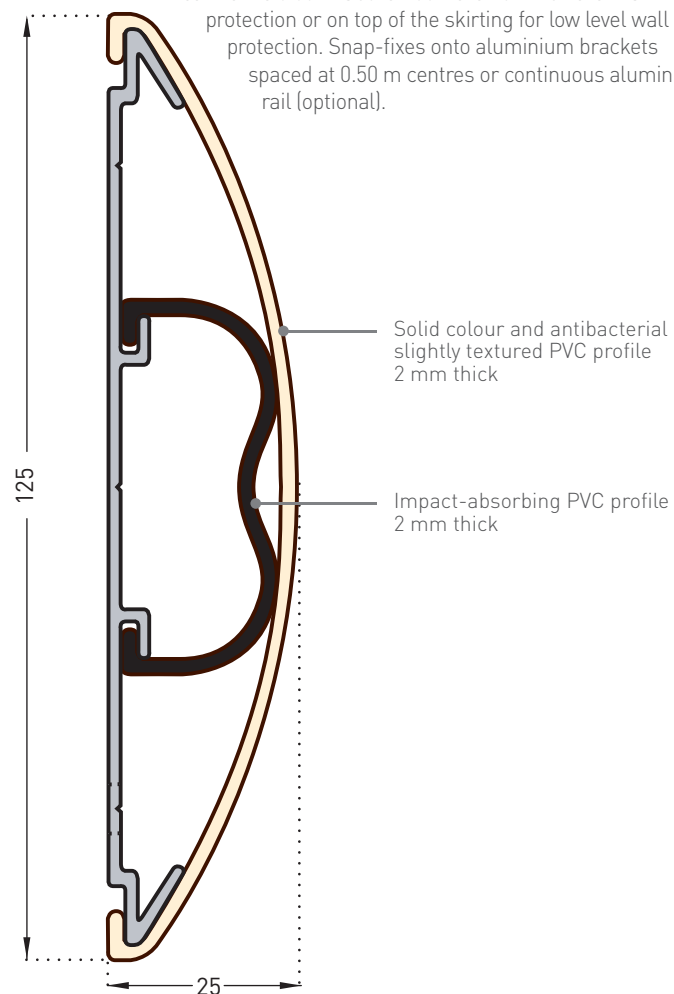


*and 27 colours on request with a minimum order quantity.



SPECIFICATION

- Description: curved wall protection rail (Combo'Punch 200 or 125 as manufactured by SPM) from slightly textured (Optimixt grain as manufactured by SPM) and antibacterial PVC achieving Bs2d0 fire rating with solid colour. PVC profile projects 25 mm, is 200 or 125 mm high and 2 mm thick. It snap-fixes onto aluminium brackets or continuous aluminium rail (optional) with an internal impact-absorbing PVC profile. Finish is provided by slightly textured end pieces (27 mm wide).
- Environment: no heavy metals and no substance potentially subjected to any REACH restriction are used in its manufacture, nor PBT/BPA. The calcium-zinc thermal stabilisation process is used. The emission level of volatile substance in inside air has been tested according to ISO 16000-6 and is very low (A+) according to the French regulation (23 March 2011 nr 2011-321 Decree and 19 April 2011 Order). 100% of the product are recyclable.
- Colour: selected by architects from manufacturer's standard range.
- Installation method: recommended height of protection rail centreline 0.80 m above floor level for mid-level wall protection or on top of the skirting for low level wall protection. Snap-fixes onto aluminium brackets spaced at 0.50 m centres or continuous aluminium rail (optional).





Combo'Punch 100D
// 4 colours*



*and 27 colours on request with a minimum order quantity.

COMBO'PUNCH 100D

WALL PROTECTION RAIL (D-SHAPED) - 100 MM HIGH



APPLICATIONS

Thanks to its 50 mm depth of protection, Combo'Punch 100D keeps wheeled equipments, such as trolleys, carts, wheelchairs, hospital beds, away from the walls and contributes to reduce damages from such impacts especially in corridors and storage areas.

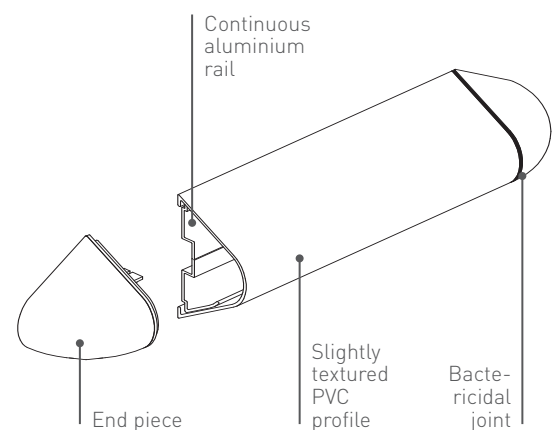
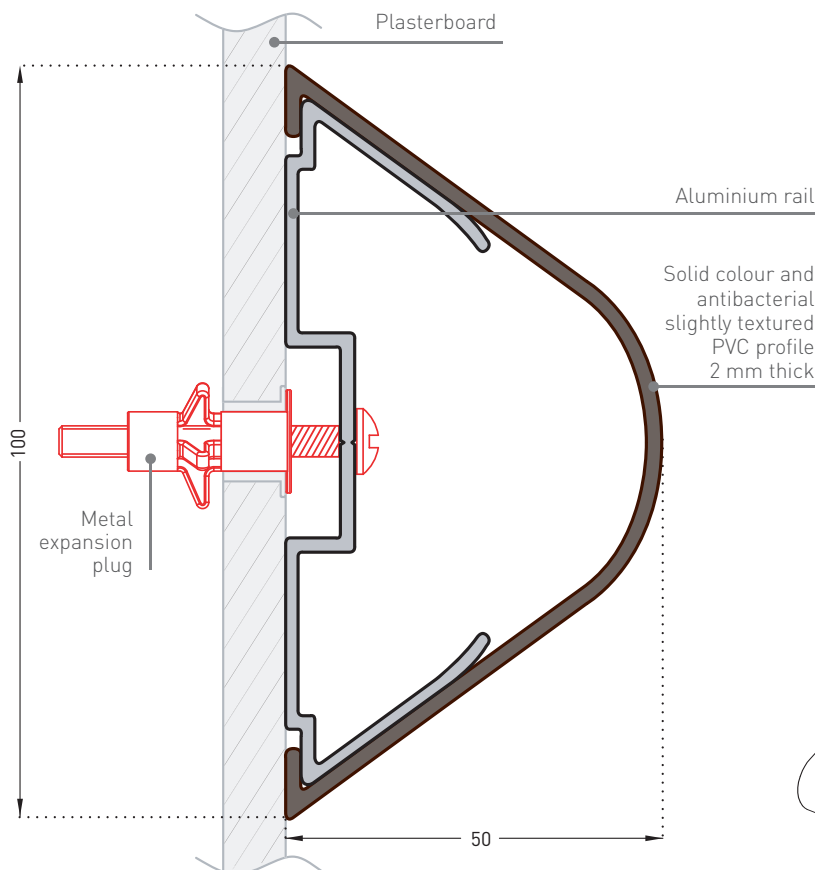
DESCRIPTION

- Model: Combo'Punch 100D wall protection rail
- Height: 100 mm
- Depth: 50 mm
- Length: 4 m
- Material: 2 mm thick PVC, antibacterial and Bs2d0 fire-rated, solid colour
- Surface finish: slightly textured («Optimixt» grain*)
- Fixing components: continuous aluminium rail
- Colours: 4 standard

* «Optimixt» grain: optimal combination of scratch resistance, hygiene and aesthetic.

SPECIFICATION

- Description: D-shaped wall protection rail (Combo'Punch 100D as manufactured by SPM) from slightly textured (Optimixt grain as manufactured by SPM) and antibacterial PVC achieving Bs2d0 fire rating with solid colour. PVC profile projects 50 mm, is 100 mm high and 2 mm thick. It snap-fixes onto continuous aluminium rail. Finish is provided by slightly textured end pieces (52 mm wide).
- Environment: no heavy metals and no substance potentially subjected to any REACH restriction are used in its manufacture, nor PBT/BPA. The calcium-zinc thermal stabilisation process is used. The emission level of volatile substance in inside air has been tested according to ISO 16000-6 and is very low (A+) according to the French regulation (23 March 2011 nr 2011-321 Decree and 19 April 2011 Order). 100% of the product are recyclable.
- Colour: selected by architects from manufacturer's standard range.
- Installation method: recommended height of protection rail centreline 0.80 m above floor level for mid-level wall protection or on top of the skirting for low level wall protection. Snap-fixes onto continuous aluminium rail.





Combo'Bedkit
// 4 colours*



*and 27 colours on request with a minimum order quantity.

COMBO'BEDKIT

VERTICAL BED HEAD PROTECTION - 750 MM HIGH



APPLICATIONS

This protection has been especially designed to protect walls from bed impacts which are often moved around or elevated in bedrooms in all health buildings.

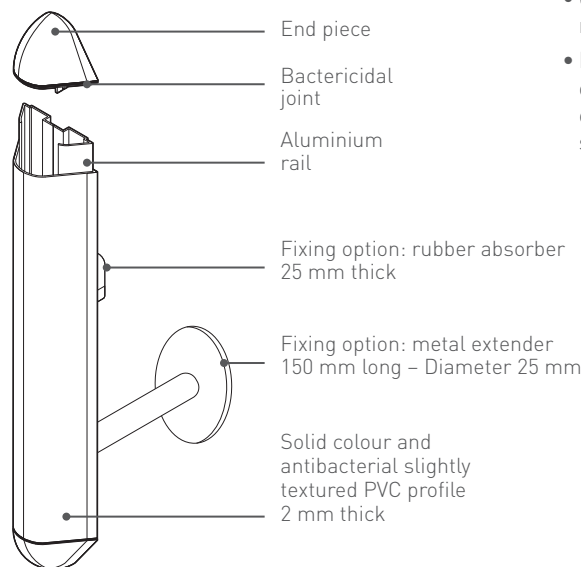
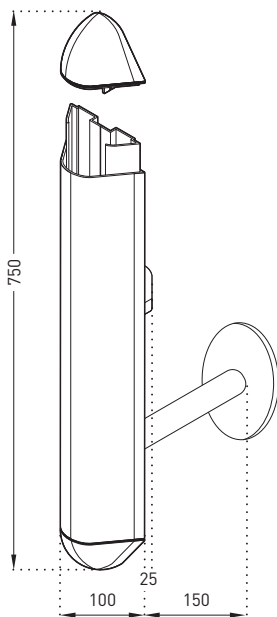
DESCRIPTION

- Model: Combo'Bedkit bed head protection
- Height: 750 mm
- Width: 100 mm
- Projection: - 75 mm (rubber absorber)
- 200 mm (metal extender)
- Material: 2 mm thick, antibacterial PVC and Bs2d0 fire-rated, solid colour
- Surface finish: slightly textured («Optimixt» grain*)
- Fixing: of the aluminium rail onto the rubber absorbers or the metal extenders with metal expansion plugs
- Colours: 4 standard

* «Optimixt» grain: optimal combination of scratch resistance, hygiene and aesthetic.

SPECIFICATION

- Description: double vertical bed head protection (Combo'Bedkit as manufactured by SPM) from slightly textured (Optimixt grain as manufactured by SPM) and antibacterial PVC achieving Bs2d0 fire rating with solid colour. It comprises vertical PVC profile to snap-fix onto aluminium rail with 2 end pieces. It projects 75 mm (on rubber absorbers) or 200 mm (on metal extenders), is 750 mm high and 100 mm wide. These parts fit together on 2 rubber absorbers (25 mm thick) or on 2 metal extenders (150 mm long).
- Environment: no heavy metals and no substance potentially subjected to any REACH restriction are used in its manufacture, nor PBT/BPA. The calcium-zinc thermal stabilisation process is used. The emission level of volatile substance in inside air has been tested according to ISO 16000-6 and is very low (A+) according to the French regulation (23 March 2011 nr 2011-321 Decree and 19 April 2011 Order). 100% of the product are recyclable.
- Colour: selected by architects from manufacturer's standard range.
- Installation method: fixes aluminium rail onto the rubber absorbers or the metal extenders then the end pieces and snap-fixes onto the PVC profile.



Colours available per product:
please see the colour summary hinge

Let discover technical solutions at the end of the guide

Specifications and section drawings on our website www.spm-international.com



bimobject BimObject in Revit and Archicad



Contact 350



Contact 200



CONTACT

ADHESIVE PROTECTION PLATES

350/200 MM HIGH



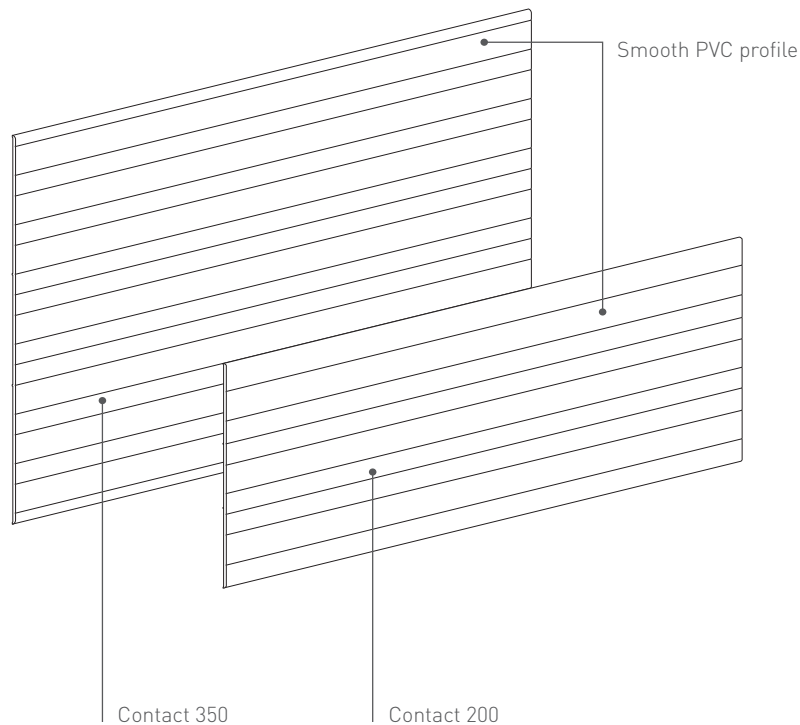
APPLICATIONS

Both resistant and decorative, the Contact protection plates prevent damage to doors and walls exposed to abrasion by furniture, chairs and repeated impact from trolleys in corridors, bedrooms and waiting rooms in clinics and hospitals, schools, universities, hotels, restaurants and offices.

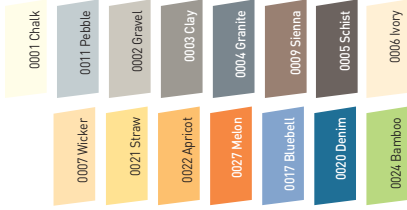
It also matches the Impact protection rails.

DESCRIPTION

- Model: Contact 350 or 200 adhesive protection plate
- Height: 350 or 200 mm
- Thickness: 2.5 mm
- Length: 4 m
- Material: antibacterial and Bs2d0 fire-rated PVC, solid colour
- Surface finish: smooth with decorative grooves
- Fixing: adhesive foam strips reinforced with SPM universal mastic glue
- Colours:
 - 31 standard for Contact 200
 - 15 standard for Contact 350



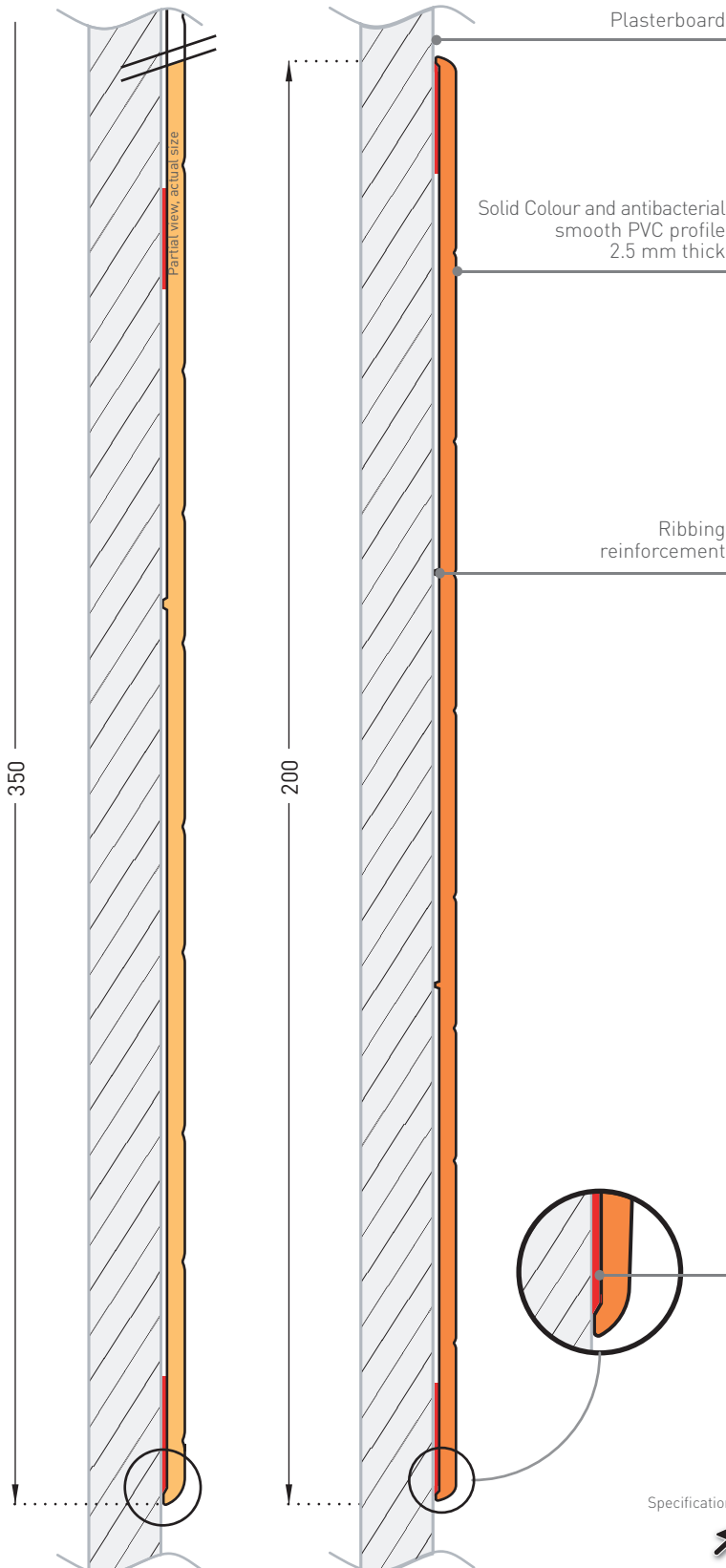
Contact 350 // 15 colours*



Contact 200 // 31 colours



* and 16 colours on request with a minimum order quantity.

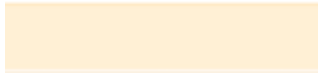


SPECIFICATION

- Description: adhesive protection plate (Contact 350 or 200 as manufactured by SPM) from smooth and antibacterial PVC achieving Bs2d0 fire rating with solid colour. PVC profile is 350 or 200 mm high and 2.5 mm thick. It provides a smooth surface finish with decorative grooves. A protective film is specified to minimise cleaning before acceptance. It is provided with 2 or 3 strips of foam adhesive tape for fixing.
- Environment: no heavy metals and no substance potentially subjected to any REACH restriction are used in its manufacture, nor PBT/ BPA. The calcium-zinc thermal stabilisation process is used. The emission level of volatile substance in inside air has been tested according to ISO 16000-6 and is very low (A+) according to the French regulation (23 March 2011 nr 2011-321 Decree and 19 April 2011 Order). 100% of the product are recyclable.
- Colour: selected by architects from manufacturer's standard range.
- Installation method: adhesive. SPM universal mastic glue is recommended for stronger fixing.



Combo'Clad 200



Combo'Clad 150



COMBO'CLAD

ADHESIVE PROTECTION PLATES - 200/150 MM HIGH



APPLICATIONS

These protection plates prevent damage to doors and walls exposed to abrasion by furniture, chairs and to repeated impacts in low traffic corridors, bedrooms, waiting rooms.

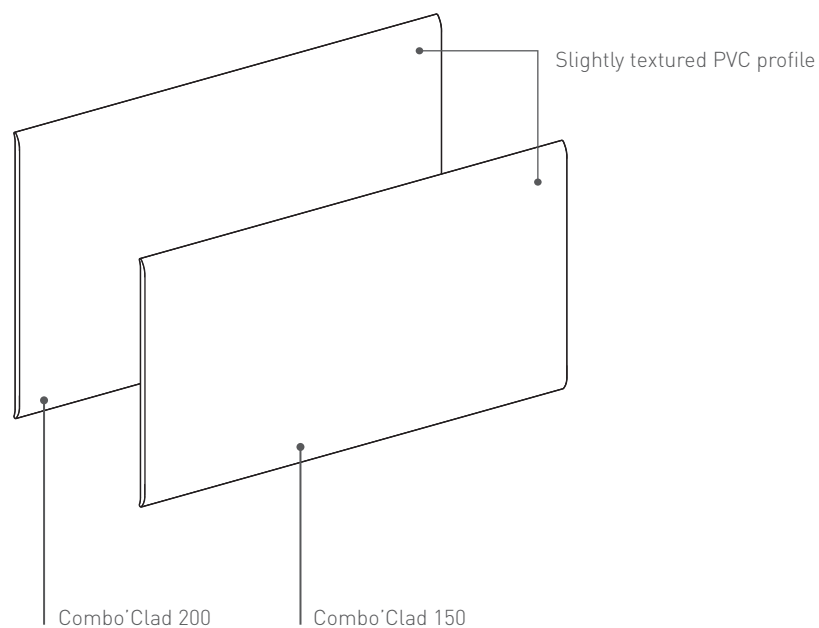
Combo'Clad matches the Combo'Punch protection rails.

DESCRIPTION

- Model: Combo'Clad 200 or 150 adhesive^[1] protection plate
- Height: 200 or 150 mm
- Thickness: 3 mm
- Length: 4 m
- Material: antibacterial and Bs2d0 fire-rated PVC, solid colour
- Surface finish: slightly textured («Optimixt» grain*)
- Fixing: adhesive foam strips reinforced with SPM universal mastic glue
- Colours: 4 standard

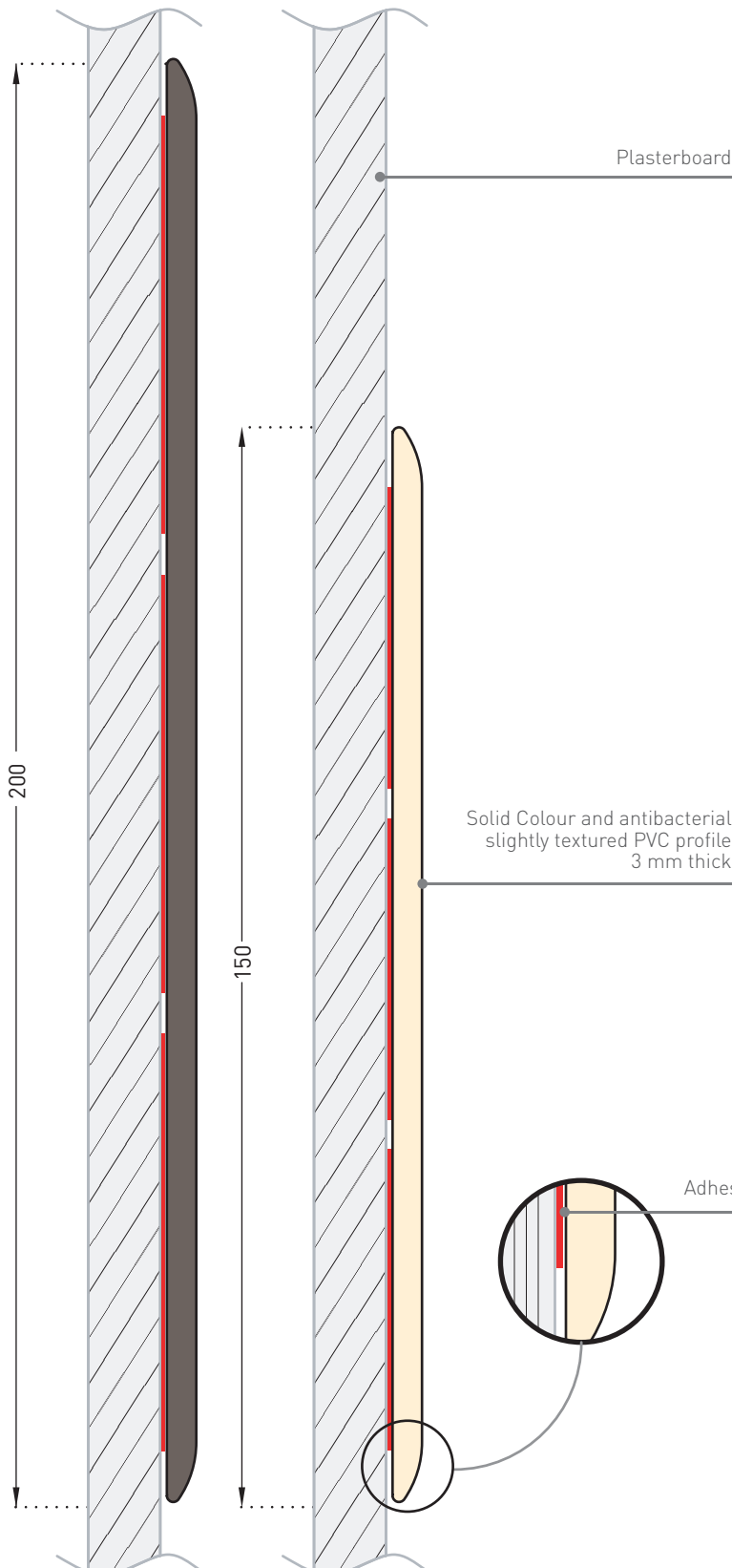
* «Optimixt» grain: optimal combination of scratch resistance, hygiene and aesthetic.

[1] Also available without adhesive tape on request.





*and 27 colours on request with a minimum order quantity.



SPECIFICATION

- Description: adhesive protection plate (Combo'Clad 200 or 150 as manufactured by SPM) from slightly textured (Optimixt grain as manufactured by SPM) and antibacterial PVC achieving Bs2d0 fire rating with solid colour. PVC profile is 200 or 150 mm high and 3 mm thick. It is provided with 3 strips of foam adhesive tape for fixing (or without adhesive tape on request).
- Environment: no heavy metals and no substance potentially subjected to any REACH restriction are used in its manufacture, nor PBT/BPA. The calcium-zinc thermal stabilisation process is used. The emission level of volatile substance in inside air has been tested according to ISO 16000-6 and is very low (A+) according to the French regulation [23 March 2011 nr 2011-321 Decree and 19 April 2011 Order]. 100% of the product are recyclable.
- Colour: selected by architects from manufacturer's standard range.
- Installation method: adhesive. SPM universal mastic glue is recommended for stronger fixing.

[1] Also available without adhesive tape on request.





DECOCHOC

PROTECTION AND COVERING PANEL - 2 MM



APPLICATIONS

Wall protection for large surfaces in order to cover all parts exposed to impact. This panel can be used in rooms and some corridors (healthcare institutions, schools, etc.) and both in operating theatres or clean rooms.

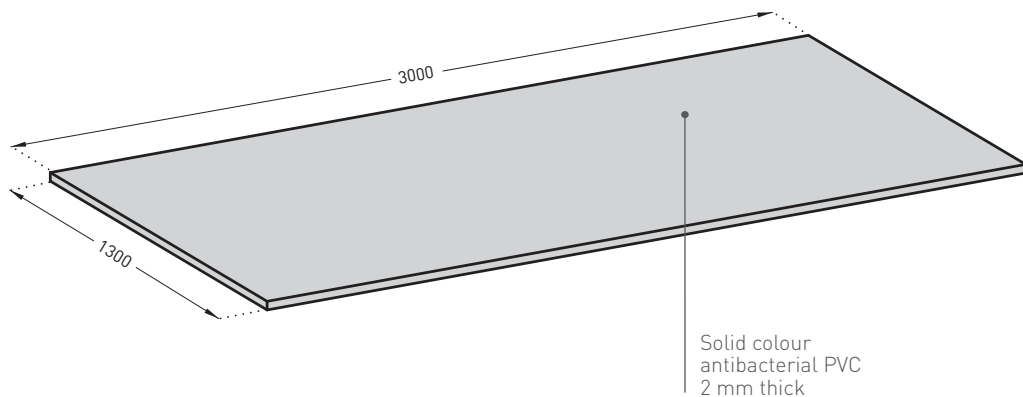
The product can be thermoformed for use on round pillars (diameter under 800 mm) and to ensure a perfect hygiene in the angles.

Its finish is subtle and matt for a muted, sober appearance with all the usual levels of resistance to impact, scratches, wear and chemical agents.

DESCRIPTION

- Model: Decochoc protection and covering panel
- Standard dimensions: 3 m x 1.30 m
- Custom options: cutting to size, bend into L/U, thermoforming, chamfer
- Thickness: 2 mm
- Material: antibacterial and Bs2d0 fire-rated PVC, solid colour
- Surface finish: slightly textured ("Optimixt" grain*)
- Fixing: adhesive bonding with SPM acrylic glue or SPM universal mastic glue. Joints between panels can be made using silicone joints or PVC welding rods, colour matched to the range
- Colours: 33 standard

* "Optimixt" grain: optimal combination of scratch resistance, hygiene and aesthetic.



FOR AN IMPECCABLE FINISH:

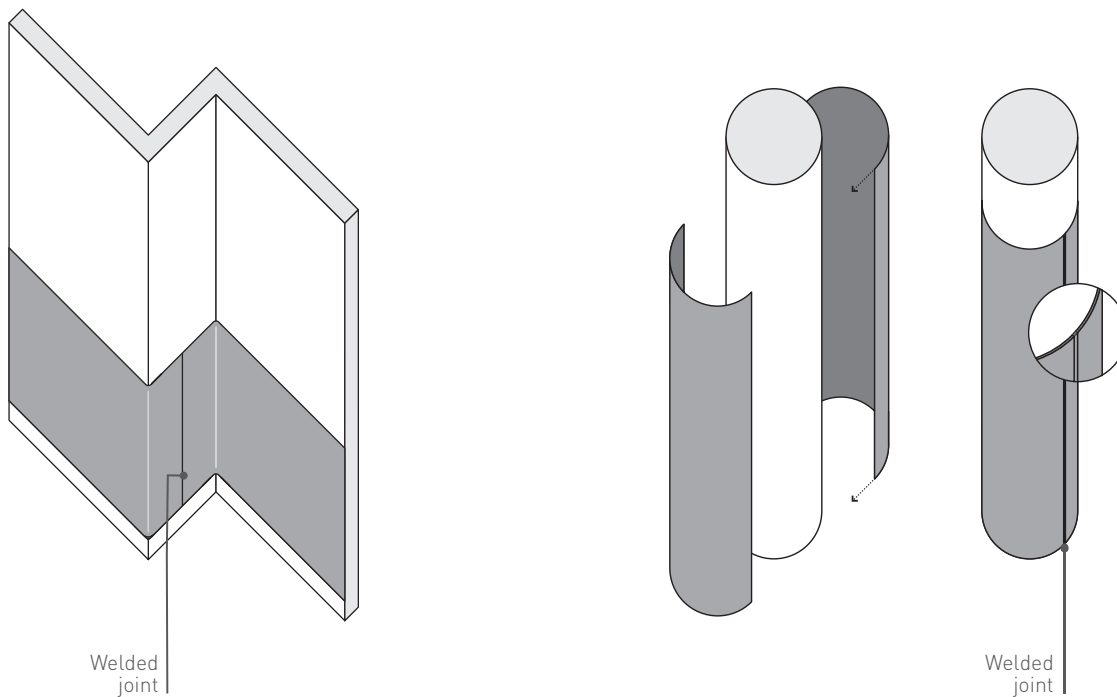
- Fin'Alu: finishing and jointing profiles in satin silver anodised aluminium
- Fin'Color: finishing and jointing profiles in smooth PVC
- Silicone joints
- Welding rods

Colour coordinated with the panels



SPECIFICATION

- Description: 2 mm thick protection and covering panel (Decochoc as manufactured by SPM) from rigid and antibacterial PVC achieving Bs2d0 fire rating with solid colour and slightly textured surface (Optimixt grain as manufactured by SPM). 3 m long, 1.30 m high.
- The level required for biocleaning should be validated for very high infectious risk areas such as operating theatres (sector 4) according to the Pasteur Institute of Lille (France). The chemical and mark resistance should have been proved on the usual cleaning products according to ISO 26987. The ease of nuclear decontamination according to ISO 8690 should be excellent.
- Environment: no heavy metals and no substance potentially subjected to any REACH restriction are used in its manufacture, nor PBT/BPA. The calcium-zinc thermal stabilisation process is used. The emission level of volatile substance in inside air has been tested according to ISO 16000-6 and is very low (A+) according to the French regulation (23 March 2011 nr 2011-321 Decree and 19 April 2011 Order). 100% of the product are recyclable.
- Colour: selected by architects from manufacturer's standard range.
- Installation method: glue as per manufacturer's instructions.





DECOSMIC

PROTECTION AND COVERING PANEL - 2 MM METALLIC LOOK



APPLICATIONS

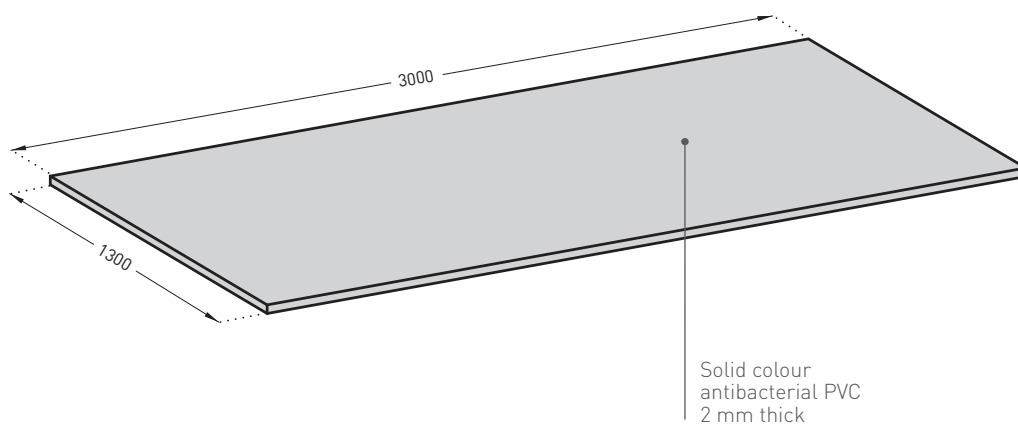
With its slightly grained, matt surface, Decosmic panel protects and decorates the walls and doors in your premises while also meeting hygiene and impact resistance requirements.

The product can be thermoformed for use on round pillars (diameter under 800 mm) and to ensure a perfect hygiene in the angles.

The metallic colours designed by SPM will embellish your spaces in an elegant, on-trend way (restaurant, hotel rooms, reception area, etc.) and bring a unique touch to your establishment.

DESCRIPTION

- Model: Decosmic protection and covering panel - metallic look
- Standard dimensions: 3 m x 1.30 m
- Custom options: cutting to size, bend into L/U, thermoforming, chamfer
- Thickness: 2 mm
- Material: antibacterial and Bs2d0 fire-rated PVC, solid colour
- Surface finish: slightly textured
- Fixing: adhesive bonding with SPM acrylic glue or SPM universal mastic glue. Joints between panels can be made using silicone joints or PVC welding rods, colour matched to the range
- Colours: 3 standard



FOR AN IMPECCABLE FINISH:

- Fin'Alu: finishing and jointing profiles in satin silver anodised aluminium
- Silicone joints
- Welding rods

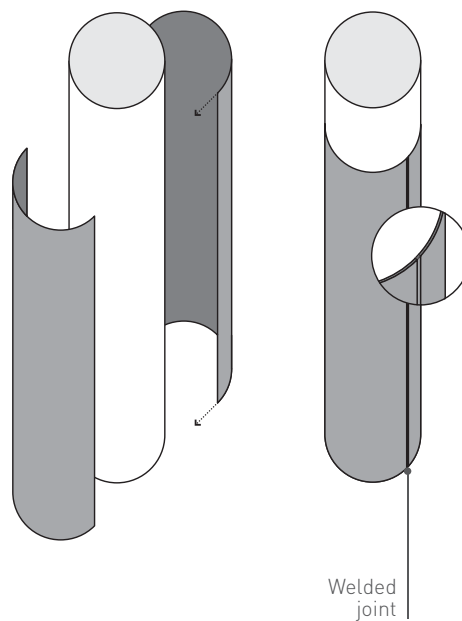
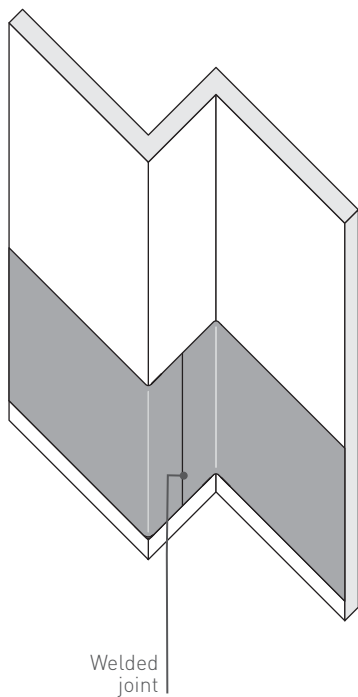
Colour coordinated with the panels





SPECIFICATION

- Description: 2 mm thick protection and covering panel, metallic look (Decosmic as manufactured by SPM) from rigid and antibacterial PVC achieving Bs2d0 fire rating with solid colour and slightly textured surface. 3 m long, 1.30 m high.
- The level required for biocleaning should be validated for very high infectious risk areas such as operating theatres (sector 4) according to the Pasteur Institute of Lille (France). The chemical and mark resistance should have been proved on the usual cleaning products according to ISO 26987. The ease of nuclear decontamination according to ISO 8690 should be excellent.
- Environment: no heavy metals and no substance potentially subjected to any REACH restriction are used in its manufacture, nor PBT/BPA. The calcium-zinc thermal stabilisation process is used. The emission level of volatile substance in inside air has been tested according to ISO 16000-6 and is very low (A+) according to the French regulation (23 March 2011 nr 2011-321 Decree and 19 April 2011 Order). 100% of the product are recyclable.
- Colour: selected by architects from manufacturer's standard range.
- Installation method: glue as per manufacturer's instructions.





Decowood
// 7 wood effect decors

DECOWOOD

WOOD EFFECT DECORATIVE PROTECTION PANEL - 2 MM



APPLICATIONS

This panel has been designed to protect from impact and abrasion whilst offering the warmth and style of a wood effect finish.

The product can be thermoformed for use on round pillars (diameter under 800 mm) and to ensure a perfect hygiene in the angles.

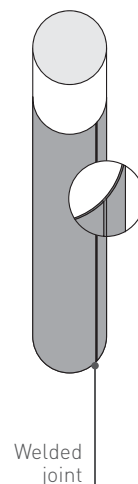
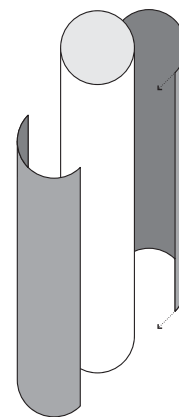
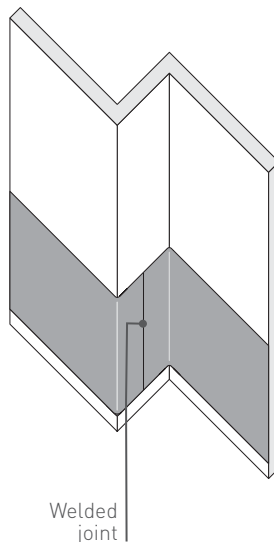
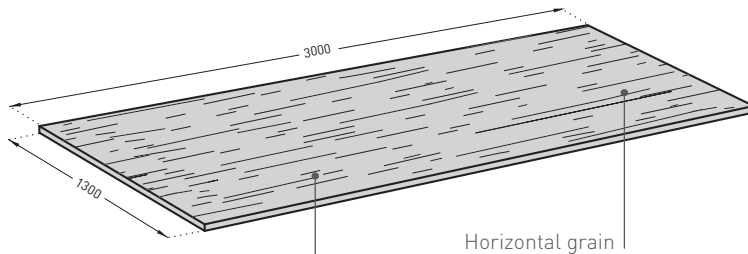
It is particularly adapted to retirement homes, clinics, schools, hotels...

DESCRIPTION

- Model: Decowood decorative protection panel
- Standard dimensions: 3 m x 1.30 m
- Custom options: cutting to size, bend into L/U, thermoforming, chamfer
- Thickness: 2 mm
- Material: wood effect Bs2d0 fire-rated PVC
- Surface finish: wood effect
- Fixing: adhesive bonding with SPM acrylic glue or SPM universal mastic glue. Joints between panels can be made using silicone joints or PVC welding rods, colour matched to the range.
- Colours: 7 standard wood effect decors

SPECIFICATION

- Description: 2 mm thick wood effect decorative protection panel (Decowood as manufactured by SPM) from rigid wood effect PVC achieving Bs2d0 fire rating and impact and scratch resistance. A protective film is specified to minimise cleaning before acceptance. 3.00 m long, 1.30 m high.
- Environment: no heavy metals and no substance potentially subjected to any REACH restriction are used in its manufacture, nor PBT/BPA. The calcium-zinc thermal stabilisation process is used. The emission level of volatile substance in inside air has been tested according to ISO 16000-6 and is very low (A+) according to the French regulation (23 March 2011 nr 2011-321 Decree and 19 April 2011 Order). 100% of the product are recyclable.
- Colour: selected by architects from manufacturer's standard range.
- Installation method: glue as per manufacturer's instructions.





Decotrend
// 4 trend effect decors



DECOTREND

TREND EFFECT DECORATIVE PROTECTION PANEL - 2 MM



APPLICATIONS

This range of panels uplifts and highlights interiors in an original manner and fits into a modern and urban design.

Their high degree of strength is useful for covering walls of bedrooms, reception areas and dining areas in hotels, retirement homes, schools or any form of establishment open to the public.

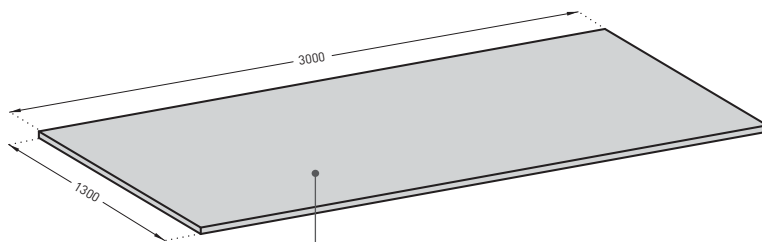
The product can be thermoformed for use on round pillars (diameter under 800 mm) and to ensure a perfect hygiene in the angles.

DESCRIPTION

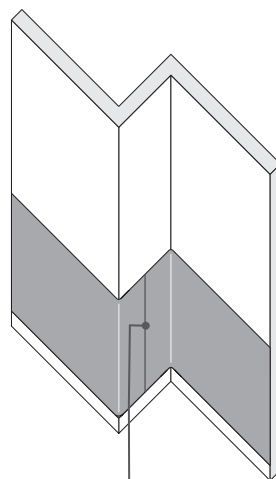
- Model: Decotrend decorative protection panel
- Standard dimensions: 3 m x 1.30 m
- Custom options: cutting to size, bend into L/U, thermoforming, chamfer
- Thickness: 2 mm
- Material: trend decor Bs2d0 fire-rated PVC
- Surface finish: metalized or concrete effect
- Fixing: adhesive bonding with SPM acrylic glue or SPM universal mastic glue. Joints between panels can be made using silicone joints or PVC welding rods, colour matched to the range
- Colours: 4 standard trend decors

SPECIFICATION

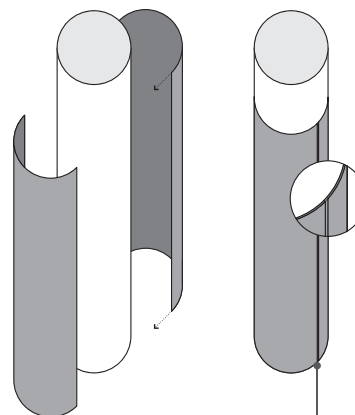
- Description: 2 mm thick trend effect decorative protection panel (Decotrend as manufactured by SPM – Composite or Brushed Aluminium or Concrete) from rigid metalized or concrete effect PVC achieving Bs2d0 fire rating and impact and scratch resistance. A protective film is specified to minimise cleaning before acceptance. 3.00 m long, 1.30 m high.
- Environment: no heavy metals and no substance potentially subjected to any REACH restriction are used in its manufacture, nor PBT/ BPA. The calcium-zinc thermal stabilisation process is used. The emission level of volatile substance in inside air has been tested according to ISO 16000-6 and is very low (A+) according to the French regulation (23 March 2011 nr 2011-321 Decree and 19 April 2011 Order). 100% of the product are recyclable.
- Colour: selected by architects from manufacturer's standard range.
- Installation method: glue as per manufacturer's instructions.



PVC trend decor
2 mm thick



Welded joint



Welded joint

Colours available per product:
please see the colour summary hinge

Let discover technical solutions at the end of the guide

Specifications and section drawings on our website www.spm-international.com



bimobject BimObject in Revit and Archicad



DECOCLEAN

SMOOTH PROTECTION AND COVERING PANEL - 2 MM



APPLICATIONS

This wall protection has been especially developed for areas exposed to a high risk of infection in order to help in the fight against in-hospital illnesses and to reduce bacterial proliferation.

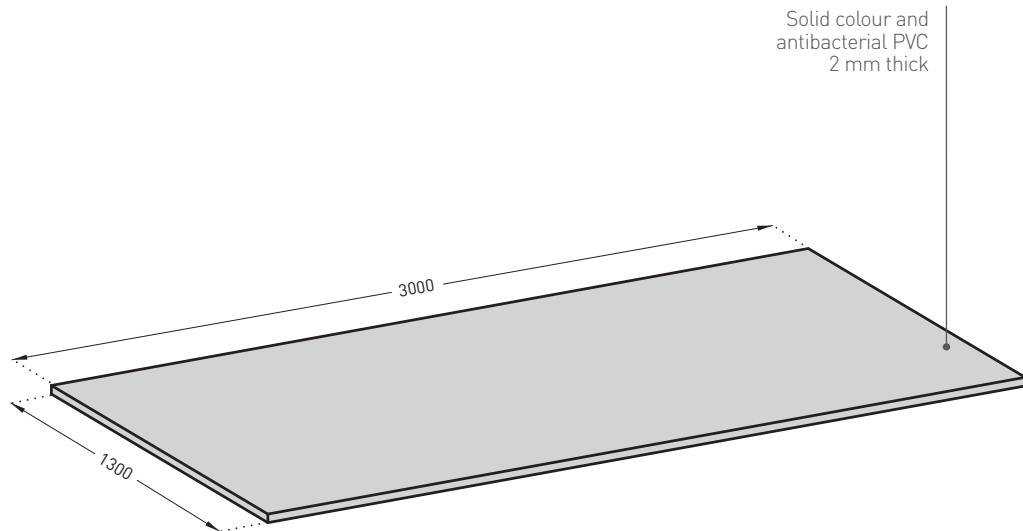
It is recommended for:

- Operating theatres,
- Intensive care, transplant and serious burns wards,
- Neonatology,
- Central sterilisation,
- All high infection risk areas, including those at Level 4 on the Pasteur scale.

The product can be thermoformed for use on round pillars (diameter under 800 mm) and to ensure a perfect hygiene in the angles.

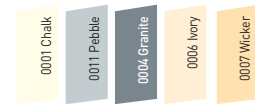
DESCRIPTION

- Model: Decoclean smooth protection and covering panel
- Standard dimensions: 3 m x 1.30 m
- Custom options: cutting to size, bend into L/U, thermoforming, chamfer
- Thickness: 2 mm
- Material: antibacterial and Bs2d0 fire-rated PVC, solid colour
- Surface finish: smooth
- Fixing: adhesive bonding with SPM acrylic glue or SPM universal mastic glue. Joints between panels can be made using silicone joints or PVC welding rods, colour matched to the range
- Colours: 5 standard



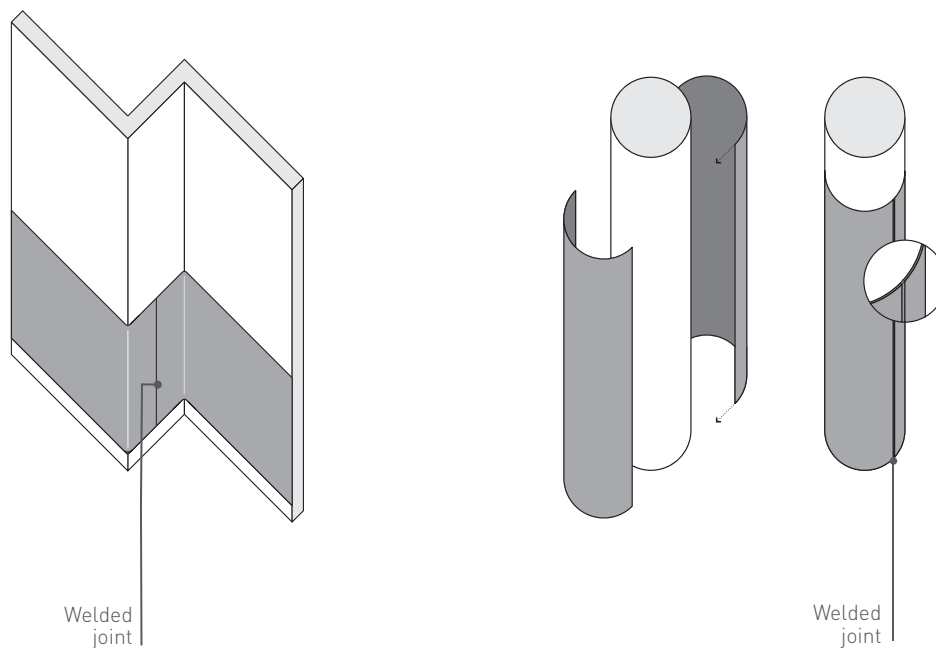
FOR AN IMPECCABLE FINISH:

- Silicone joints
 - Welding rods
- Colour coordinated with the panels**



SPECIFICATION

- Description: 2 mm thick, smooth protection and covering panel (Decoclean as manufactured by SPM) from rigid and antibacterial PVC achieving Bs2d0 fire rating with solid colour and smooth surface. 3.00 m long, 1.30 m high. A protective film is specified to minimise cleaning before acceptance.
- The level required for biocleaning should be validated for very high infectious risk areas such as operating theatres (sector 4) according to the Pasteur Institute of Lille (France). The chemical and mark resistance should have been proved on the usual cleaning products according to ISO 26987. The ease of nuclear decontamination according to ISO 8690 should be excellent.
- Environment: no heavy metals and no substance potentially subjected to any REACH restriction are used in its manufacture, nor PBT/BPA. The calcium-zinc thermal stabilisation process is used. The emission level of volatile substance in inside air has been tested according to ISO 16000-6 and is very low (A+) according to the French regulation (23 March 2011 nr 2011-321 Decree and 19 April 2011 Order). 100% of the product are recyclable.
- Colour: selected by architects from manufacturer's standard range.
- Installation method: glue as per manufacturer's instructions.





DECOCHOC H₂O

PROTECTION AND COVERING PANEL - 1,5 MM FOR WET AREAS



APPLICATIONS

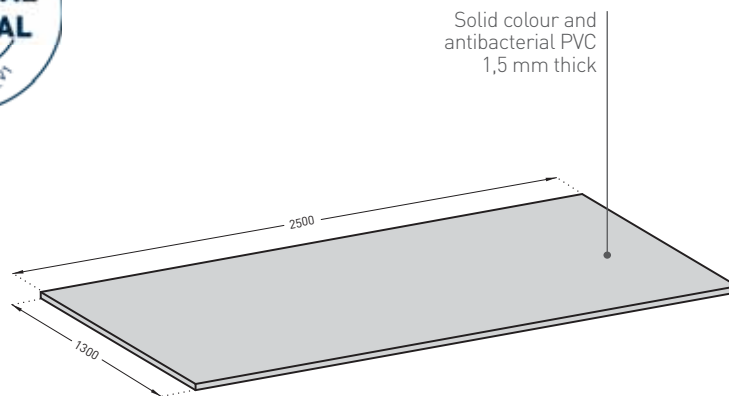
Panel specially designed to protect walls and doors in wet rooms (bathrooms, toilets, kitchens, etc.). Its finely grained, matt surface provides optimal water repellency and scratch resistance.

The product can be thermoformed for use on round pillars (diameter under 800 mm) and to ensure a perfect hygiene in the angles.

The formulation is specifically developed to ensure an optimum fusion of panels and skirting with the H₂O welding rod. SPM offers a line of welding rods matching the profile colours. This system provides total watertightness, approved by the CSTB and certified by a Technical Approval.

DESCRIPTION

- Model: Decochoc H₂O protection and covering panel for wet areas
- Standard dimensions: 2.50 m x 1.30 m
- Custom options: cutting to size, bend into L/U, thermoforming, chamfer
- Thickness: 1.5 mm
- Material: antibacterial and Bs2d0 fire-rated PVC, solid colour
- Surface finish: slightly textured. Specific wet area Hydr'X grain
- Fixing: adhesive bonding with SPM acrylic glue. Joints between panels should be made using PVC welding rods, colour matched to the range
- Colours: 5 standard



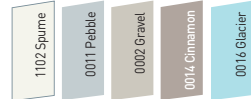
FOR AN IMPECCABLE AND PERFECTLY WATERTIGHT FINISH:

- Welding rods H₂O
 - Silicone joints H₂O
- Colour coordinated with the panels



NEW COLOURS

Decochoc H₂O
// 5 standard colours

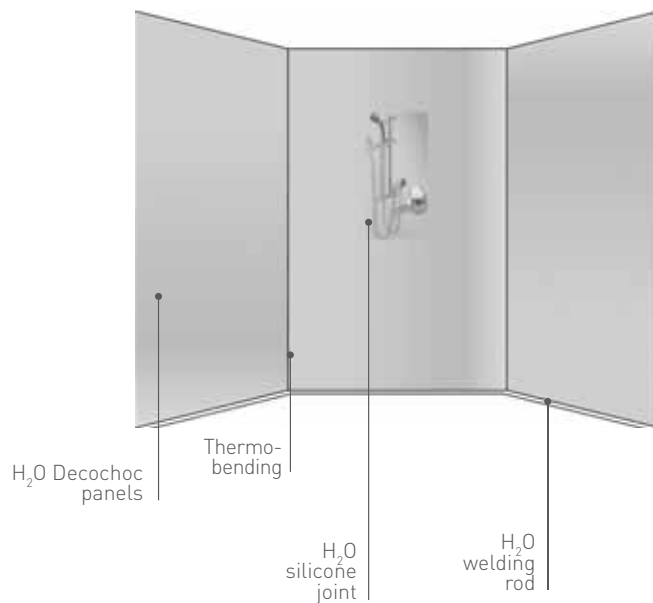


// 7 colours on request
with a minimum order quantity.



SPECIFICATION

- Description: 1,5 mm thick protection and covering panel for wet areas (Decochoc H₂O as manufactured by SPM) from rigid and antibacterial PVC achieving Bs2d0 fire rating with solid colour. Its surface is slightly textured with a fine and matte grain finish (Hydr-X grain as manufactured by SPM) perfectly suitable for wet areas due to its water-repellent qualities that limit the development of scale while ensuring optimal scratch resistance. 2.50 m long, 1.30 m high.
- To ensure watertightness of the system, the panels are thermo-welded to each other and to the PVC skirting by means of a welding rod (H₂O welding rod as manufactured by SPM). Any connections with other materials are made with a silicone joint (H₂O silicone joint as manufactured by SPM). The chemical and mark resistance of the panel should have been proven on the usual cleaning products according to ISO 26987.
- Environment: no heavy metals and no substance potentially subjected to any REACH restriction are used in its manufacture, nor PBT/BPA. The calcium-zinc thermal stabilisation process is used. The emission level of volatile substance in inside air has been tested according to ISO 16000-6 and is very low (A+) according to the French regulation (23 March 2011 nr 2011-321 Decree and 19 April 2011 Order). 100% of the product are recyclable.
- Colours: selected by architects from manufacturer's standard range.
- Installation method: glue as per manufacturer's instructions. The installer must have been trained beforehand by the manufacturer to install this system.





DECOTREND H₂O & DECOWOOD H₂O

DECORATIVE PROTECTION AND COVERING PANEL - 2 MM
FOR WET AREAS



APPLICATIONS

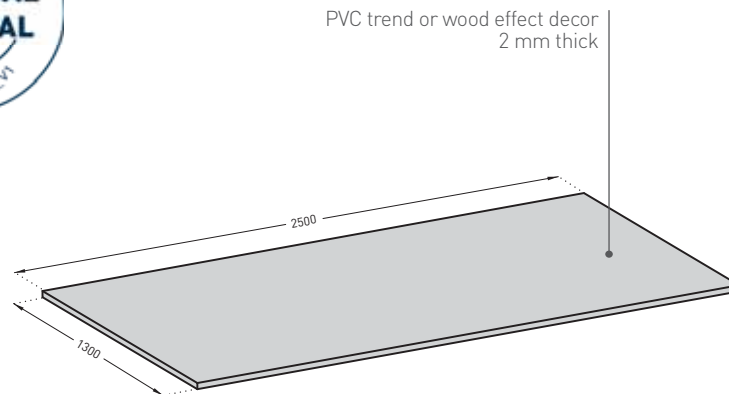
Panels specially designed to protect walls and doors in wet rooms (bathrooms, toilets, kitchens, etc.). Original, design and trendy, they enhance interiors with efficient protection.

They can be thermoformed for use on round pillars (diameter under 800 mm) and to ensure a perfect hygiene in the angles.

Their formulation is specifically developed to ensure an optimum fusion of panels and skirting with the H₂O welding rod. This system provides total watertightness, approved by the CSTB and certified by a Technical Approval. SPM offers a line of welding rods matching the profile colours.

DESCRIPTION

- Model: Decowood H₂O or Decotrend H₂O protection and covering panel for wet areas
- Standard dimensions: 2.50 m x 1.30 m
- Custom options: cutting to size, bend into L/U, thermoforming, chamfer
- Thickness: 2 mm
- Material: Bs2d0 fire-rated PVC
- Surface finish:
 - wood effect for Decowood
 - metalized or concrete effect for Decotrend
- Fixing: adhesive bonding with SPM acrylic glue. Joints between panels should be made using PVC welding rods, colour matched to the range
- Colours: 1 standard decor



FOR AN IMPECCABLE AND PERFECTLY WATERTIGHT FINISH:

- Welding rods H₂O
- Silicone joints H₂O

Colour coordinated with the panels





NEW DECORS

Decotrend H₂O // 1 standard decor

0050 Brushed aluminium

Decotrend H₂O & Decowood H₂O // 3 decors on request with a minimum order quantity.

0053 Medium concrete

0009 Brown cedar

0068 Smoky cedar

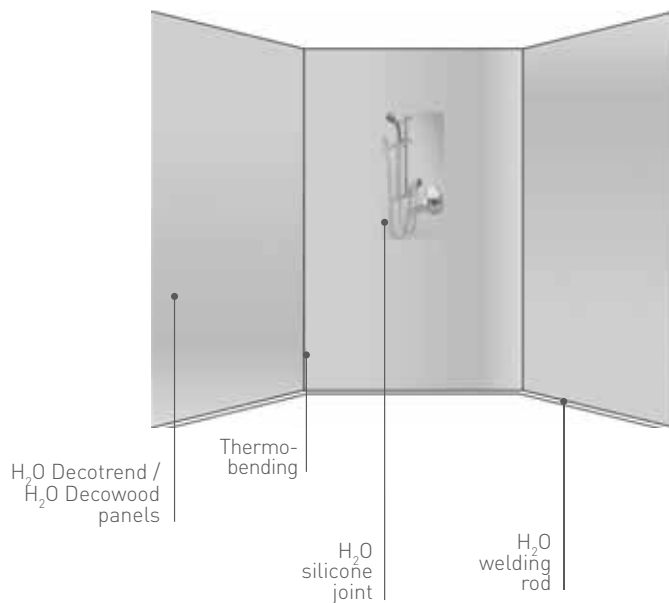
SPECIFICATION

- Description: 2 mm thick protection and covering panel for wet areas (Decotrend H₂O or Decowood H₂O as manufactured by SPM) from rigid and wood or trend decor PVC achieving Bs2d0 fire rating. The surface finish is metalized or concrete, or wood. 2.50 m long, 1.30 m high.
- To ensure watertightness of the system, the panels are thermo-welded to each other and to the PVC skirting by means of a welding rod (H₂O welding rod as manufactured by SPM). Any connections with other materials are made with a silicone joint (H₂O silicone joint as manufactured by SPM). The chemical and mark resistance of the panel should have been proven on the usual cleaning products according to ISO 26987.
- Environment: no heavy metals and no substance potentially subjected to any REACH restriction are used in its manufacture,

nor PBT/BPA. The calcium-zinc thermal stabilisation process is used. The emission level of volatile substance in inside air has been tested according to ISO 16000-6 and is very low (A+) according to the French regulation (23 March 2011 nr 2011-321 Decree and 19 April 2011 Order). 100% of the product are recyclable.

- Colours: selected by architects from manufacturer's standard range.
- Installation method: glue as per manufacturer's instructions. The installer must have been trained beforehand by the manufacturer to install this system.

WALL PROTECTION





FIN'ALU

FINISHING AND JOINTING PROFILES FOR 2 MM PANELS DECOCHOC, DECOSMIC, DECOWOOD AND DECOTREND PANELS

APPLICATIONS

Fin'Alu profiles are designed to finish or joint Decochoc, Decosmic, Decowood and Decotrend protection panels and to bring a decorative and up-market original touch. They provide a perfect finish in low-traffic corridors, waiting rooms or bedrooms. They fit into healthcare facilities (hospitals, clinics, retirement homes) as well as hotels and service sector.

SPECIFICATION

- Description: jointing profile (H shape) in satin silver anodised aluminium (Fin'Alu jointing profile in H shape as manufactured by SPM) designed for vertical or horizontal jointing between 2 mm thick protection panels (Decochoc, Decosmic, Decowood or Decotrend as manufactured by SPM). Smooth surface. The profile, 3 m long and 42 mm wide (visible part), glues onto the continuous aluminium rail, 55 mm wide (hidden part), fixed to the wall by gluing or screwing.

 - Colour: selected by architects from manufacturer's standard range.
 - Installation method: gluing onto aluminium rail to glue or screw to wall as per manufacturer's instructions.
- Description: finishing profile (J shape) in satin silver anodised aluminium (Fin'Alu finishing profile in J shape as manufactured by SPM) designed for vertical or horizontal finishing for 2 mm thick protection panels (Decochoc, Decosmic, Decowood or Decotrend as manufactured by SPM). Smooth surface, 3 m long, 18 mm wide for the visible part and 37.5 mm for the hidden part fixed to the wall.

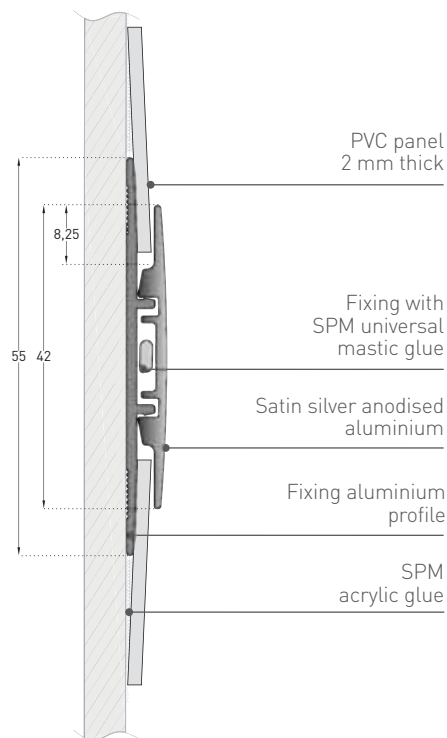
 - Colour: selected by architects from manufacturer's standard range.
 - Installation method: glue as per manufacturer's instructions or screwing to wall.

DESCRIPTION

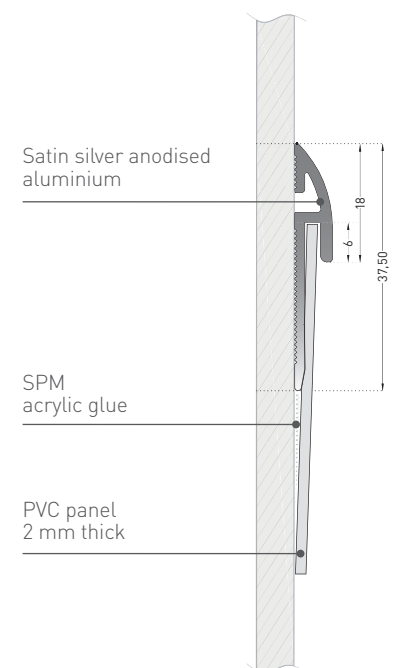
- Model: Fin'Alu finishing (J shape) or jointing (H shape) profile for 2 mm thick panels
- Width (covering):
 - 18 mm (37.5 mm hidden part) for finishing profile;
 - 42 mm (55 mm hidden part) for joint profile
- Length: 3 m
- Material: satin silver anodised aluminium
- Surface finish: smooth
- Fixing: adhesive bonding with SPM acrylic glue or screwing to wall
- Colour: satin silver anodised



1. JOINTING PROFILE (INTO H SHAPE)



2. FINISHING PROFILE (INTO J SHAPE)





NEW

Fin'Color // 33 colours



FIN'COLOR

FINISHING AND JOINTING PROFILES FOR 2 MM PANELS
DECOCHOC, DECOCLEAN, DECOWOOD AND DECOTREND PANELS



APPLICATIONS

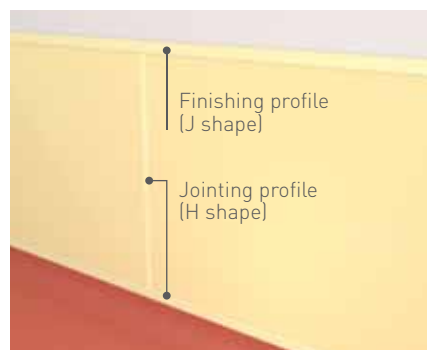
Fin'Color are PVC profiles that provide an aesthetic finish and a perfect joint between panels or between panel and flexible floor skirting.

Available in all colours in the range, to be matched with our protection panels, they bring a subtle decorative touch for a harmonious whole.

They are suitable for low traffic areas, enhancing all types of public buildings.

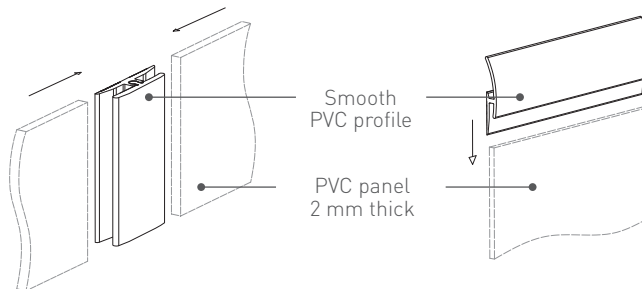
DESCRIPTION

- Model: Fin'Color finishing (J shape) or jointing (H shape) profile for 2 mm thick panels
- Width (visible part):
- 20.5 mm for finishing profile
- 21.5 mm for jointing profile
- Length: 3 m
- Material: antibacterial and Bs2d0 fire-rated PVC, solid colour
- Surface finish: smooth
- Fixing: adhesive bonding with SPM acrylic glue or SPM universal mastic glue
- Colours: 33 standard

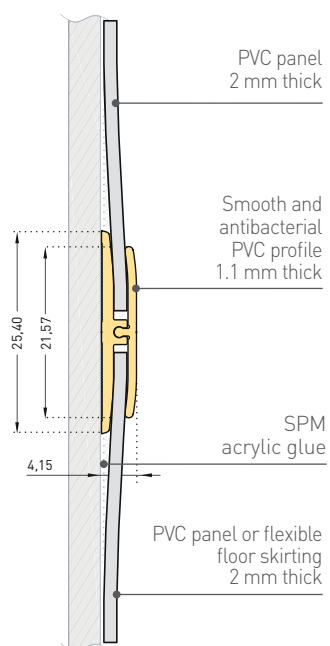


SPECIFICATION

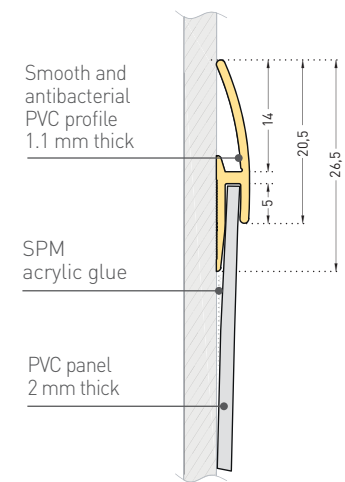
- Description: jointing profile (H shape) from antibacterial PVC achieving Bs2d0 fire rating with solid colour (Fin'Color jointing profile in H shape as manufactured by SPM) designed for horizontal or vertical jointing between 2 mm thick protection panels (Decochoc, Decoclean, Decowood or Decotrend as manufactured by SPM) or the connection of these panels with 2 mm flexible floor skirting. Smooth surface, 3 m long, 21.5 mm wide for the visible part.
 - Environment: no heavy metals and no substance potentially subjected to any REACH restriction are used in its manufacture, nor PBT/BPA. The calcium-zinc thermal stabilisation process is used. The emission level of volatile substance in inside air has been tested according to ISO 16000-6 and is very low (A+) according to the French regulation (23 March 2011 nr 2011-321 Decree and 19 April 2011 Order). 100% of the product are recyclable.
 - Colours: selected by architects from manufacturer's standard range.
 - Installation method: glue as per manufacturer's instructions.
- Description: finishing profile (J shape) from antibacterial PVC achieving Bs2d0 fire rating with solid colour (Fin'Color finishing profile in J shape as manufactured by SPM) designed for horizontal or vertical finishing for 2 mm thick protection panels (Decochoc, Decoclean, Decowood or Decotrend as manufactured by SPM). Smooth surface, 3 m long, 20.5 mm wide for the visible part.
 - Environment: no heavy metals and no substance potentially subjected to any REACH restriction are used in its manufacture, nor PBT/BPA. The calcium-zinc thermal stabilisation process is used. The emission level of volatile substance in inside air has been tested according to ISO 16000-6 and is very low (A+) according to the French regulation (23 March 2011 nr 2011-321 Decree and 19 April 2011 Order). 100% of the product are recyclable.
 - Colours: selected by architects from manufacturer's standard range.
 - Installation method: glue as per manufacturer's instructions.



1. JOINTING PROFILE (INTO H SHAPE)



2. FINISHING PROFILE (INTO J SHAPE)

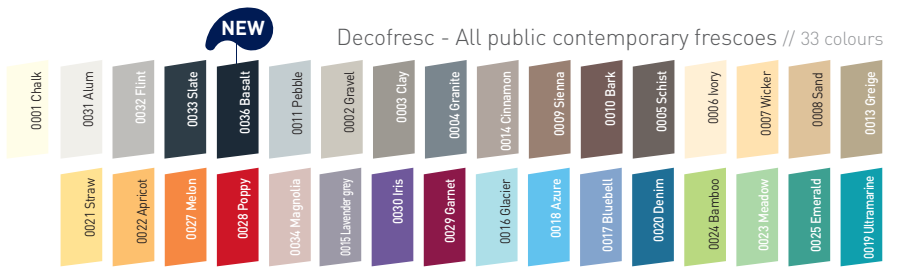


Colours available per product:
please see the colour summary hinge

Let discover technical solutions at the end of the guide

Specifications and section drawings on our website www.spm-international.com

bimobject BimObject in Revit and Archicad



DECOFRESC

ALL PUBLIC CONTEMPORARY
DECORATIVE PROTECTION FRESCO - 2 MM



APPLICATIONS

The contemporary Decofresc decorative frescoes provide an attractive setting in public buildings.

They bring a touch of elegance and customization while protecting walls and they meet hygiene and impact resistance requirements.

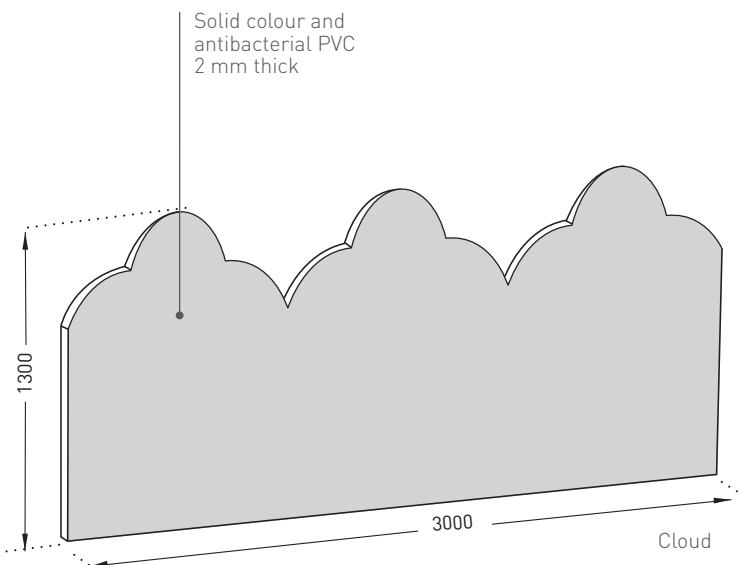
DESCRIPTION

- Model: all public contemporary Decofresc decorative protection fresco
- Standard dimensions: 3 m x 1.30 m indivisible
- Thickness : 2 mm
- Material: antibacterial and Bs2d0 fire-rated PVC, solid colour
- Surface finish: slightly textured ("Optimixt" grain*)
- Fixing: adhesive bonding with SPM acrylic glue or SPM universal mastic glue. Joints between panels can be made using silicone joints or PVC welding rods, colour matched to the range
- Colours: 33 standard

* "Optimixt" grain: optimal combination of scratch resistance, hygiene and aesthetic.

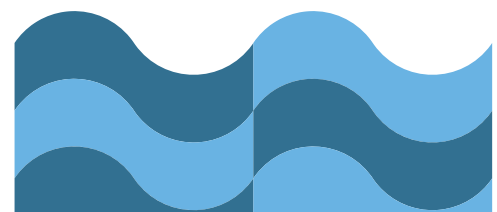
SPECIFICATION

- Description: decorative protection fresco (Cloud or Wave Decofresc as manufactured by SPM) from rigid and antibacterial PVC achieving Bs2d0 fire rating with solid colour and slightly textured surface (Optimixt grain as manufactured by SPM). 3 m long, 1.30 m high (indivisible), 2 mm thick.
- Environment: no heavy metals and no substance potentially subjected to any REACH restriction are used in its manufacture, nor PBT/BPA. The calcium-zinc thermal stabilisation process is used. The emission level of volatile substance in inside air has been tested according to ISO 16000-6 and is very low (A+) according to the French regulation (23 March 2011 nr 2011-321 Decree and 19 April 2011 Order). 100% of the product are recyclable.
- Colour: selected by architects from manufacturer's standard range.
- Installation method: glue as per manufacturer's instructions.



NOTA

Frescoes made from cut-to-size Decochoc panels (p.60-61).

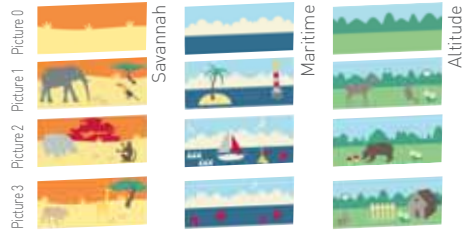


Wave



Cloud





DECOFRESC

EARLY CHILDHOOD
DECORATIVE PROTECTION FRESCO - 2 MM



WALL PROTECTION

APPLICATIONS

The Early Childhood Decofresc decorative frescoes are especially designed to brighten up and durably protect walls in establishments who hope to create an attractive, welcoming atmosphere that stimulates children's imagination. They meet the constraints linked to the early childhood: hygiene and impact resistance.

DESCRIPTION

- Model: Early Childhood Decofresc decorative protection fresco
- Standard dimensions: 3 m x 1.30 m indivisible
- Thickness : 2 mm
- Material: antibacterial and Bs2d0 fire-rated PVC, solid colour
- Surface finish: slightly textured ("Optimixt" grain*)
- Fixing: adhesive bonding with SPM acrylic glue or SPM universal mastic glue. Joints between panels can be made using silicone joints or PVC welding rods, colour matched to the range
- Colours: 3 themes each with 4 pictures (in predefined colours)

* "Optimixt" grain: optimal combination of scratch resistance, hygiene and aesthetic.

SPECIFICATION

- Description: decorative protection fresco (Savannah, Maritime or Altitude Decofresc as manufactured by SPM) from rigid and antibacterial PVC achieving Bs2d0 fire rating with solid colour and slightly textured surface (Optimixt grain as manufactured by SPM). 3 m long, 1.30 m high (indivisible), 2 mm thick.
- Environment: no heavy metals and no substance potentially subjected to any REACH restriction are used in its manufacture, nor PBT/BPA. The calcium-zinc thermal stabilisation process is used. The emission level of volatile substance in inside air has been tested according to ISO 16000-6 and is very low (A+) according to the French regulation (23 March 2011 nr 2011-321 Decree and 19 April 2011 Order).
100% of the product are recyclable.
- Colour: selected by architects from manufacturer's standard range.
- Installation method: glue as per manufacturer's instructions.

NOTA

Frescoes made from cut-to-size Decochoc panels (page 60-61).
Delivered flat and pre-assembled, they are to bring together when installing and not fit on curved walls.



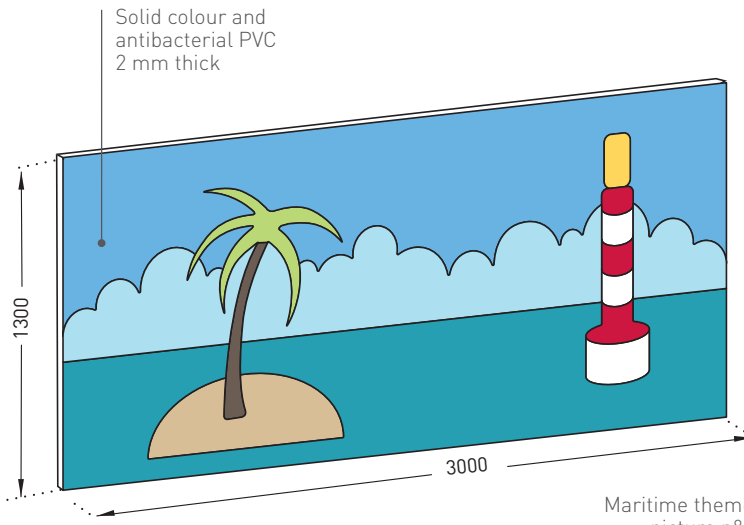
Altitude theme (4 pictures)



Savannah theme (4 pictures)



Maritime theme (4 pictures)



Maritime theme picture n°1

Colours available per product:
please see the colour summary hinge

Let discover technical solutions at the end of the guide

Specifications and section drawings on our website www.spm-international.com

BimObject in Revit and Archicad



DECOPRINT 2 OR 1 MM PROTECTION OR DECORATION PANEL WITH CUSTOMIZED DIGITAL PRINTING

APPLICATIONS

The Decoprint printed panel is the original solution created and developed by SPM to combine customized wall protection (2 mm) and/or decoration (1 mm). We custom-build your protection and/or decoration panel, using digital printing to place your image (photograph, drawing, logo, text, etc.) on the back of the panel, in the requested size. It is also possible to link images to provide a continuous image.

In 2 mm thick, this is the ideal protection to enhance a touch of elegance and originality in buildings looking for aesthetic or signage solutions to cover walls in form.

The 2 mm Decoprint panel creates a welcoming environment while guaranteeing durable and optimal protection and meets the hygiene and impact resistance requirements necessary in buildings that are open to the public.

DESCRIPTION

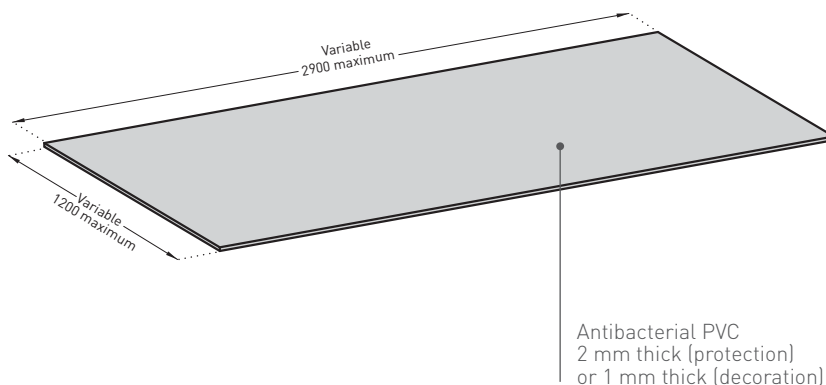
- Model: Decoprint protection (2 mm) or decoration (1 mm) panel with customized digital printing
- Height: made-to-measure (maximum 1.20 m)
- Width: made-to-measure (maximum 2.90 m)
- Thicknesses: 2 mm or 1 mm
- Material: Translucent antibacterial and Bs2d0 fire-rated PVC with image printed on the back
- Surface finish: slightly textured ("Optimixt" grain* in 2 mm or "Velvet" grain in 1 mm)
- Fixing: adhesive bonding with SPM acrylic glue or SPM universal mastic glue. Joints between panels can be made using silicone joints or PVC welding rods, colour matched to the range.
- Colours: translucent for customization.

* "Optimixt" grain: optimal combination of scratch resistance, hygiene and aesthetic.

SPECIFICATION

- Description: protection (2 mm) or decoration (1 mm) panel with customized digital printing (Decoprint as manufactured by SPM) from translucent antibacterial PVC achieving Bs2d0 fire rating with images printed on the back. The surface is slightly textured ("Optimixt" grain in 2 mm or "Velvet" grain in 1 mm as manufactured by SPM). Its maximum height is 1.20 m and its maximum length is 2.90 m and 2 mm thick (protection) or 1 mm thick (decoration).
- Environment: no heavy metals and no substance potentially subjected to any REACH restriction are used in its manufacture, nor PBT/BPA. The calcium-zinc thermal stabilisation process is used. The emission level of volatile substance in inside air has been tested according to ISO 16000-6 and is very low (A+) according to the French regulation (23 March 2011 nr 2011-321 Decree and 19 April 2011 Order). 100% of the product are recyclable.
- Colours: customized and selected by architects**
- Installation: glue as per manufacturer's instructions.

** The reproduced images or photos, provided by the user in accordance with SPM requested specification, must be free of copyright – if they are not, the reproduction rights are payable by the user, who has full responsibility.



NOTA

The reproduced images or photos, provided by the user in accordance with SPM requested specification, must be free of copyright – if they are not, the reproduction rights are payable by the user, who has full responsibility.

Decoprint 2 mm panels made from translucent Decochoc panels (p. 60-61).

RELEASE THE CREATIVITY OF YOUR WALLS !

The perfect combination to decorate, customize and protect your interior.

More than a panel which protects your walls, Decoprnt combines your inspiration and aesthetic ideal to your compelling need to preserve your interior.

Decoprnt enhances your walls, your doors, and offers a touch of elegance in your establishment. Decoprnt comes to infinity in any living space.

Let your creativity flow, we realize your custom-made project.



SPM CARRIES OUT YOUR CUSTOMIZED PANEL

WALL PROTECTION



Call our local service for answers to all your questions and to create a customized panel.





DECOCARE

HAND HYGIENE PANEL - 1 MM



APPLICATIONS

Decocare hand hygiene panel combines a public health message with effective protection of the walls above sinks. The educational pictograms are easy to understand and encourage good hand hygiene in order to limit the spread of hand-borne germs.

The panel provides decorative wall protection and can be installed in all wet rooms to spell out the hand washing routine.

It can also be customized with your logo or other text.

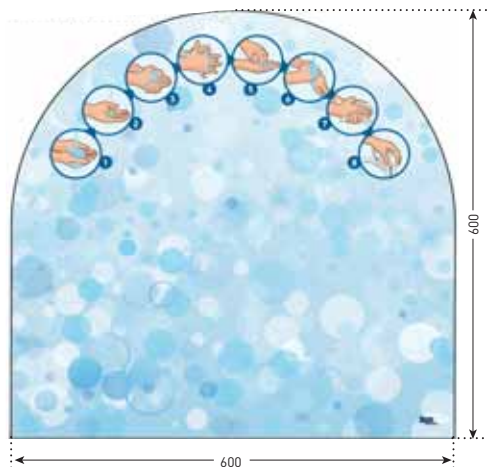
DESCRIPTION

- Model: Decocare hand hygiene panel
- Dimensions:
 - Classic: 600 x 400 mm
 - Fountain: 600 x 600 mm
 - Made-to-measure
- Thickness: 1 mm
- Material: translucent antibacterial Bs2d0 fire-rated PVC with image printed on the back
- Surface finish: slightly textured ("Velvet" grain)
- Fixing: adhesive bonding with SPM acrylic glue or SPM universal mastic glue.
- Colours: 2 standard models
- Option: customization

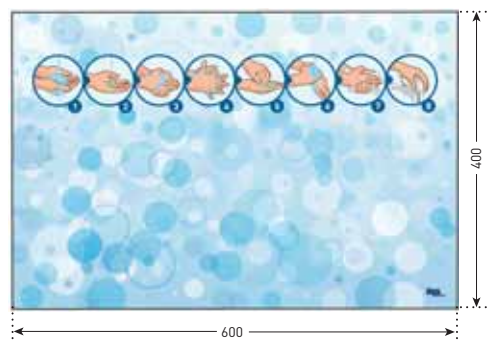
SPECIFICATION

- Description: hand hygiene panel, classic or fountain shape (Decocare as manufactured by SPM) from translucent antibacterial PVC achieving Bs2d0 fire rating with image printed on the back. Its surface is slightly textured ("Velvet" grain as manufactured by SPM). Its width is 600 mm, its height is 400 mm (classic) or 600 mm (fountain) and its thickness is 1 mm.
- Environment: no heavy metals and no substance potentially subjected to any REACH restriction are used in its manufacture, nor PBT/BPA. The calcium-zinc thermal stabilisation process is used. The emission level of volatile substance in inside air has been tested according to ISO 16000-6 and is very low (A+) according to the French regulation (23 March 2011 nr 2011-321 Decree and 19 April 2011 Order). 100% of the product are recyclable.
- Colour: selected by architects from manufacturer's standard range. Customized on request.
- Installation method: glue, as per manufacturer's instructions.

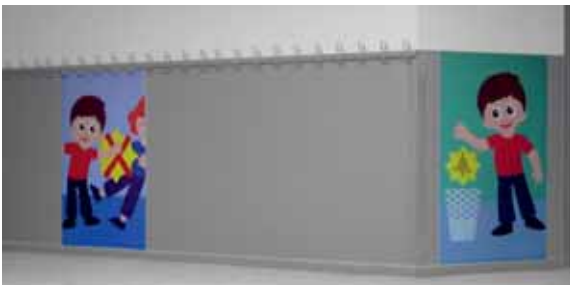
CUSTOMIZING ON REQUEST



Decocare Fountain



Decocare Classic



DECOKID

EDUCATIONAL PANEL - 1 MM



APPLICATIONS

SPM's educational panels Decokid bring to life a number of messages in bright colours, aimed at children, whilst still providing wall protection. Putting across educational principles to small children by means of immediately understandable images within their school environment is an effective educational aid.

Hygiene, environment, safety, etc., SPM's educational panels illustrate real situations that relate to children's daily lives.

DESCRIPTION

- Model: Decokid Educational panel
- Standard dimensions: 750 x 1300 mm
- Thickness: 1 mm
- Material: translucent antibacterial and Bs2d0 fire-rated PVC, with a visual printed on the back
- Surface finish: slightly textured ("Velvet" grain)
- Fixing: adhesive bonding with SPM acrylic glue or with SPM universal mastic glue
- Colours: 11 designs available (in predefined colours)

SPECIFICATION

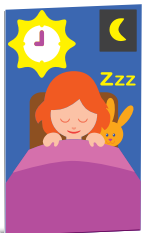
- Description: educational panel (Decokid as manufactured by SPM) from rigid, antibacterial and translucent PVC achieving Bs2d0 fire rating with a visual printed on the back. The surface is slightly textured ("Velvet" grain as manufactured by SPM). Its width is 750 mm, height 1300 mm and thickness 1 mm.
- Environment: no heavy metals and no substance potentially subjected to any REACH restriction are used in its manufacture, nor PBT/BPA. The calcium-zinc thermal stabilisation process is used. The emission level of volatile substance in inside air has been tested according to ISO 16000-6 and is very low (A+) according to the French regulation (23 March 2011 nr 2011-321 Decree and 19 April 2011 Order). 100% of the product are recyclable.
- Colour: selected by architects from manufacturer's standard range.
- Installation method: glue, as per manufacturer's instructions.



EDUCATIONAL PANELS: A UNIQUE AND ORIGINAL CONCEPT

- Matched to all existing colour schemes
- Extends a building's working life
- Resists damage from even the harshest cleaning materials
- Easy to install

1. I cross the road at a pedestrian crossing.



2. Early to bed, early to rise.



3. 30 mph, that's the urban speed limit.



4. I always say, 'Hello'.



5. I always put my rubbish in the bins provided.



6. I always wash my hands before eating.



7. I always wear my seat belt in the car.



8. I take breaks from my video games.



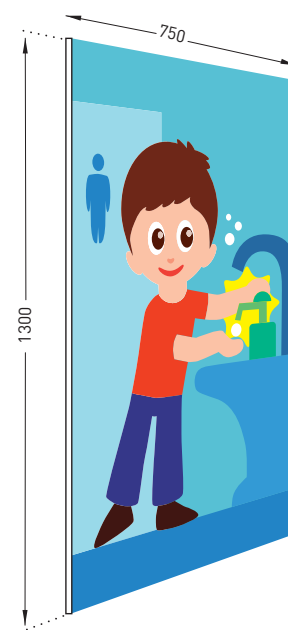
9. I always wash my hands after using the toilets.



10. No pushing.



11. I never leave the tap running.



Colours are not contractually binding.



PLAC'INOX

BRUSHED STAINLESS STEEL PROTECTION PLATE



APPLICATIONS

Plac'Inox protection plate reinforces those areas subject to impacts and are approved for food-handling areas.

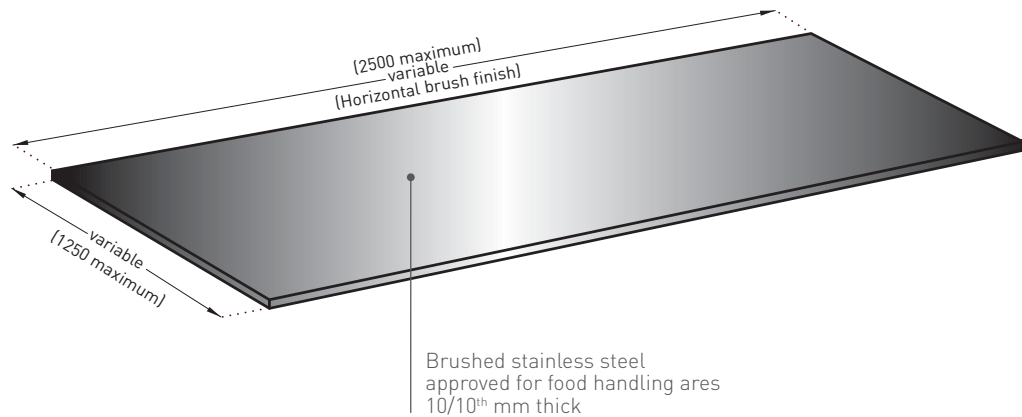
Suitable for use in areas of heavy use or wet places, they are particularly useful in the food and pharmaceutical industries as well as in healthcare establishments, main kitchens, etc.

DESCRIPTION

- Model: Plac'Inox protection plate
- Height: as required (1.25 m maxi)
- Length: as required (2.50 m maxi)
- Thickness: 10/10th mm
- Material: stainless steel (approved for food handling areas)
- Fixing: adhesive bonding with SPM universal mastic glue
- Finish: brushed metal

SPECIFICATION

- Description: protection plate (Plac'Inox as manufactured by SPM) 10/10th mm thick in brushed stainless steel approved for food handling areas. Its maximum length is 2.50 m and its maximum height 1.25 m.
- Finish: brushed metal.
- Installation method: glue as per manufacturer's instructions.





For further information about installation of SPM accessories and use of glues, silicone joints and welding rods, please consult our Installation Procedure Guide.

SOLUTIONS FOR PANELS FIXING



SPM universal primer
(100 to 150 g required per m²)
5 l drum



SPM acrylic glue - Simple bonding
Solvent-free
(300 to 350 g required per m²) - Available in 6 or 14 kg jars



SPM multi-purpose adhesive mastic
Solvent-free
290 ml cartridge (about 25 ml of cord)



Double-sided foam adhesive roll 4957/15 mm wide
(contact us prior to use)
25 m roll



Double-sided adhesive roll 4970/50 mm wide
For installation on doors or laminates
(contact us prior to use) - 50 m roll



Silicone joint for Decochoc, Decosmic, Decowood, Decotrend, Decoclean,
and Decochoc H₂O panels (matching colours)
310 ml cartridge



Welding rod for Decochoc, Decowood, Decotrend, Decoclean and
Decochoc H₂O panels (matching colours)
100 m roll

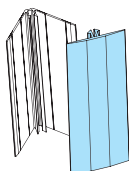
FINISHING AND JOINTING PROFILES



Fin'Color
Finishing and jointing profiles for Decochoc, Decoclean, Decowood and Decotrend panels
Antibacterial PVC*
L. 3.00 m
(See p. 73)



Fin'Alu
Finishing and jointing profiles for Decochoc, Decosmic, Decowood and Decotrend panels
Satin silver anodized aluminium
L. 3.00 m
(See p. 72)



Fin'Angle
Jointing corner profile for Decochoc panels
Antibacterial PVC* (white base)
L. 3.00 m

*Colours available per product: please see the colour summary hinge (p. 144).

CORNER PROTECTION

Corners are particularly prone to damage so they need to be well protected.

SPM has developed a complete range of carefully designed corner protectors which combat wear and provide effective, safe protection. The corner protectors are either adhesive, for corners exposed to light impact, or on aluminium core, for corners in areas with intense activity, whether 90° or not.

All have the same properties: they resist impact and effects of cleaning and disinfectant products, and have a Bs2d0 fire rating.



CORNEA



LINEA'FLEX



CORNEA



PROTECTA 2



COMBO CORNER



PROFILA

SOLUTIONS



PROFILA



CORNEAFLEX

CORNER
PROTECTION

CORNER PROTECTION

ON ALUMINIUM CORE



CORNEA p.86
90° corner protector
with strip on core



CORNEAFLEX p.87
135° and variable angle corner
protector with strip on core



COMBO'CORNER p.88
90° corner protectors
on core



COMBO'CORNER p.89
135° angle corner
protector on core



	CODE	DESCRIPTION	MATERIAL	COLOUR RANGE
CORNEA		90° corner protector with strip on core	PVC + aluminium	31 colours
CORNEAFLEX		135° and variable angle corner protector with strip on core	PVC + aluminium	5 colours
COMBO'CORNER		90° and 135° angle corner protectors on core	PVC + aluminium	32 colours

ADHESIVE



LINEA'FLEX p.90
Flexible adhesive corner protector with variable angle endcap



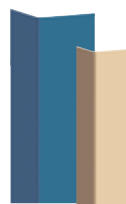
PROTECTA 2 p.91
Variable angle flexible adhesive corner protector



COMBO'FLEX p.92
Variable angle flexible adhesive corner protector



COMBO'LINE p.93
90° adhesive corner protectors

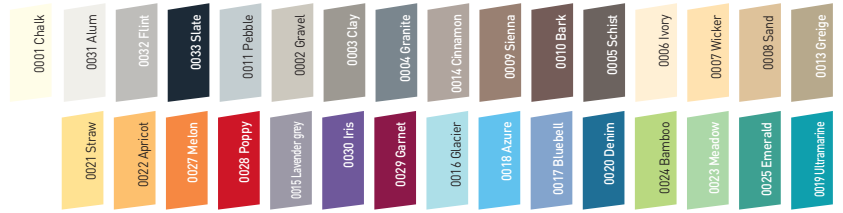
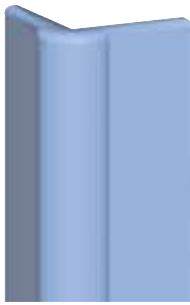


PROFILA p.94
90° adhesive corner protectors



PROFIL'INOX p.95
Adhesive 90° corner protectors in brushed stainless steel

	CODE	DESCRIPTION	MATERIAL	COLOUR RANGE
LINEA'FLEX		80° to 150° adhesive corner protector with variable angle endcap	PVC	33 colours
PROTECTA 2		70° to 135° adhesive corner protector	PVC	33 colours
COMBO'FLEX		70° to 135° adhesive corner protector	PVC	33 colours
COMBO'LINE		90° adhesive finishing corner protectors	PVC	33 colours
PROFILA		90° adhesive finishing corner protectors	PVC	33 colours
PROFIL'INOX		90° adhesive corner protectors	Stainless steel	Brushed finish



CORNEA

90° CORNER PROTECTOR ON ALUMINIUM CORE



APPLICATIONS

Efficient protection for 90° angles exposed to heavy impact from trolleys and carts. A unique rounded spine makes corners harmless.

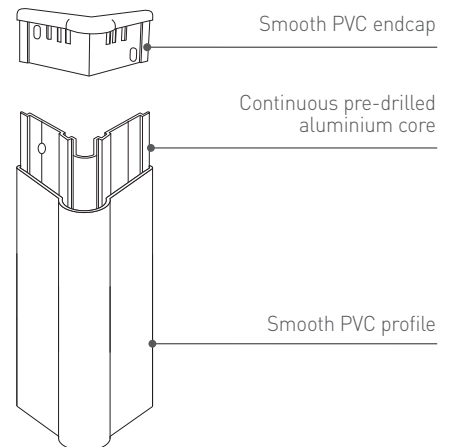
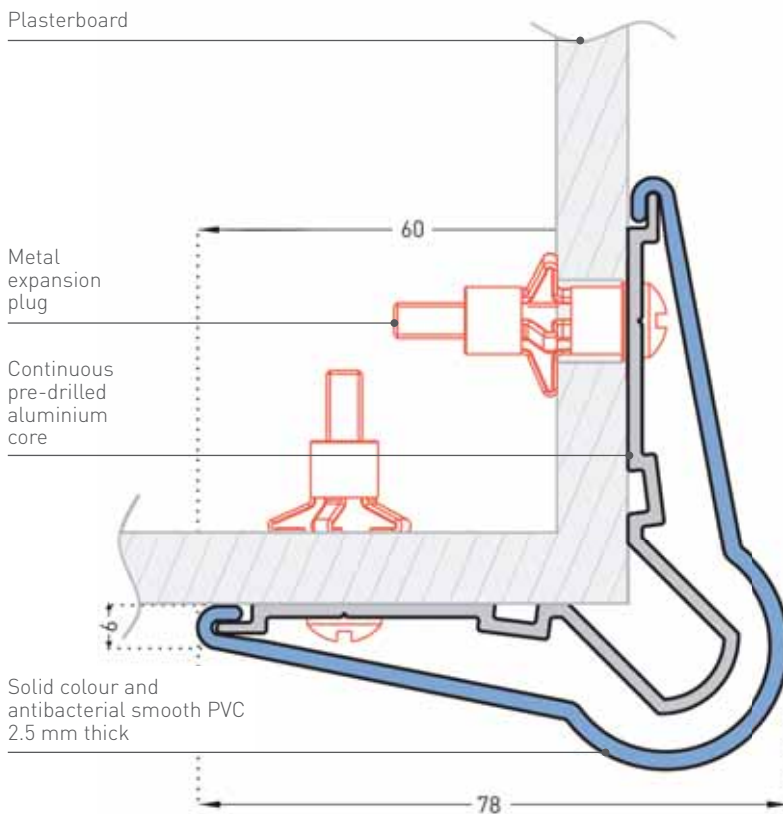
Recommended for corridors and entrances to hospitals, clinics, laboratories, kitchens, schools, supermarkets.

DESCRIPTION

- Model: Cornea corner protector with strip on aluminium core
- Angle: 90°
- Wing width: 60 mm (internal measurement)
- Thickness: 2.5 mm
- Length: 1.30 m, 2.00 m or 4.00 m
- Material: antibacterial and Bs2d0 fire-rated PVC, solid colour
- Surface finish: smooth
- Fixing system: continuous pre-drilled aluminium core
- Colours: 31 standard

SPECIFICATION

- Description: 90° corner protector on aluminium core (Cornea as manufactured by SPM) from smooth and antibacterial PVC, 2.5 mm thick, achieving Bs2d0 fire rating with solid colour. A protective film is specified to minimise cleaning before acceptance. Wings are 45 mm wide (internal measurement) and snap-fix onto a continuous pre-drilled aluminium core. The corner protector is finished with a smooth PVC endcap.
- Environment: no heavy metals and no substance potentially subjected to any REACH restriction are used in its manufacture, nor PBT/BPA. The calcium-zinc thermal stabilisation process is used. The emission level of volatile substance in inside air has been tested according to ISO 16000-6 and is very low (A+) according to the French regulation (23 March 2011 nr 2011-321 Decree and 19 April 2011 Order). 100% of the product are recyclable.
- Colour: selected by architects from manufacturer's standard range.
- Installation method: snap-fixes onto continuous pre-drilled aluminium core screwed to the wall.





Corneaflex // 5 colours*



*and 26 colours on request with a minimum order quantity.

CORNEAFLEX

135° AND VARIABLE ANGLE CORNER PROTECTOR ON ALUMINIUM CORE



APPLICATIONS

High-performance protection for corners: 135° or variable angles. Designed with an impact-resistant flexible spine and flexible PVC reinforcement beads, this product makes corners safe and protects them against heavy traffic.

For use in corridors and entrances to kitchens, laboratories, hospitals, clinics and schools.

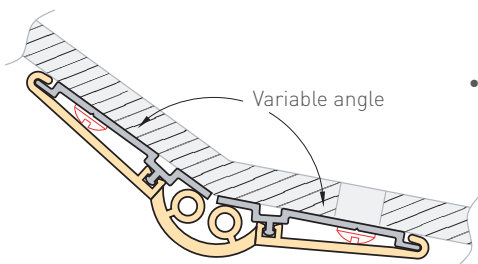
DESCRIPTION

- Model: Corneaflex corner protector with flexible strip on aluminium core
- Angle: 135° or variable angle
- Wing width: 65 mm (internal measurement)
- Thickness: 2.5 mm (wings) and 3.5 mm (flexible strip)
- Length: 1.30 m, 2.00 m or 4.00 m (135°), 4.00 m (variable angle)
- Material: antibacterial and Bs2d0 fire-rating PVC, solid colour
- Surface finish: smooth
- Fixing system: continuous pre-drilled aluminium core for 135° angle. The core is in two parts for variable angles
- Colours: 5 standard

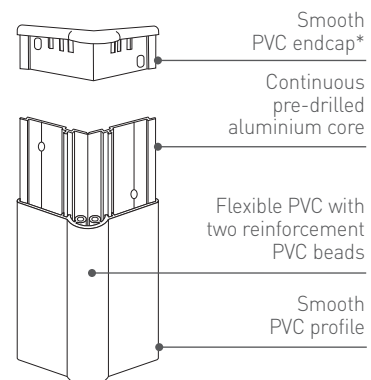
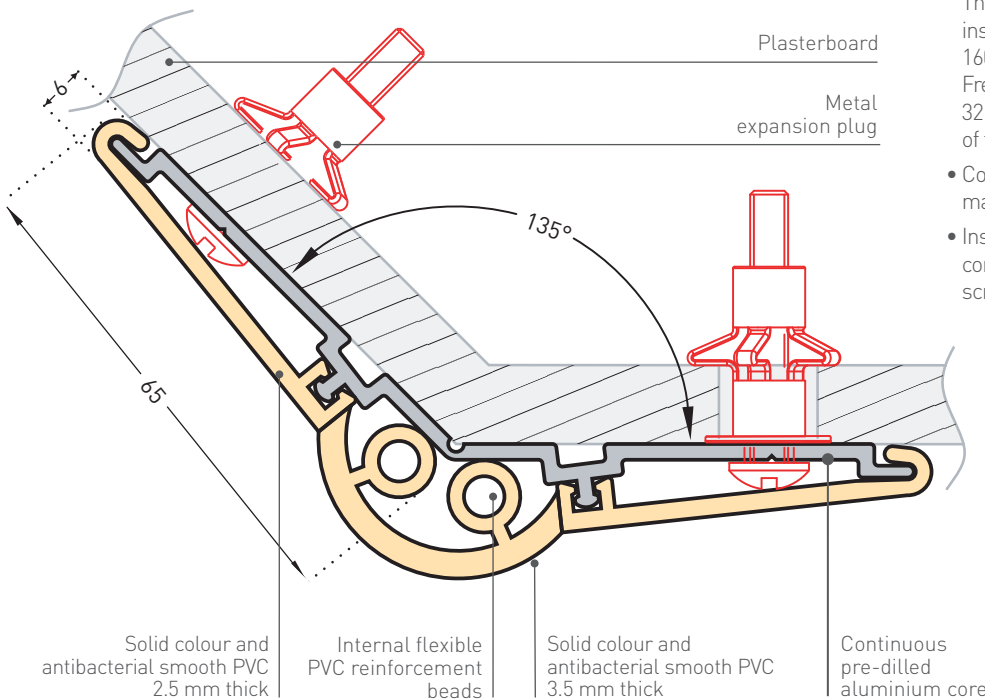
SPECIFICATION

- Description: 135° or variable angle corner protector with flexible strip on aluminium core (Corneaflex as manufactured by SPM) from smooth and antibacterial PVC, 2.5 mm to 3.5 mm thick, achieving Bs2d0 fire rating with solid colour. A protective film is specified to minimise cleaning before acceptance. Wings are 65 mm wide (internal measurement), open at 135° angle or variable angle, and snap-fix onto a continuous pre-drilled aluminium core. The rounded flexible central strip forms a decorative and highly effective cushion thanks to two internal flexible PVC reinforcement beads. The 135° corner protector is finished with a smooth PVC endcap. The variable angle corner protector is installed full height (floor-to-ceiling).
- Environment: no heavy metals and no substance potentially subjected to any REACH restriction are used in its manufacture, nor PBT/BPA. The calcium-zinc thermal stabilisation process is used. The emission level of volatile substance in inside air has been tested according to ISO 16000-6 and is very low (A+) according to the French regulation (23 March 2011 nr 2011-321 Decree and 19 April 2011 Order). 100% of the product are recyclable.
- Colour: selected by architects from manufacturer's standard range.
- Installation method: snap-fixes onto continuous pre-drilled aluminium core screwed to the wall.

CORNER PROTECTION



Variable angle



* Only for 135° angle

Colours available per product: please see the colour summary hinge

Let discover technical solutions at the end of the guide

Specifications and section drawings on our website www.spm-international.com

BimObject in Revit and Archicad



*and 27 colours on request with a minimum order quantity.

COMBO'CORNER 75 AND 50

90° CORNER PROTECTORS ON ALUMINIUM CORE



APPLICATIONS

Combo'Corner 75 or 50 protects the 90° corners in corridors from heavy traffic. Its slightly textured surface helps to conceal the effects of abrasion.

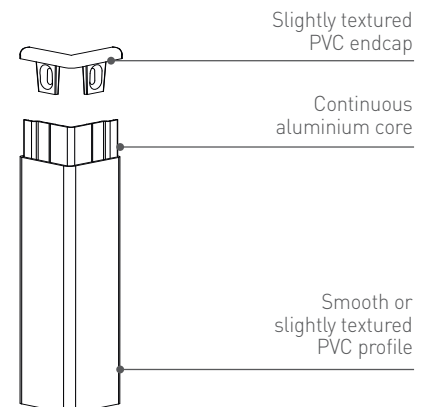
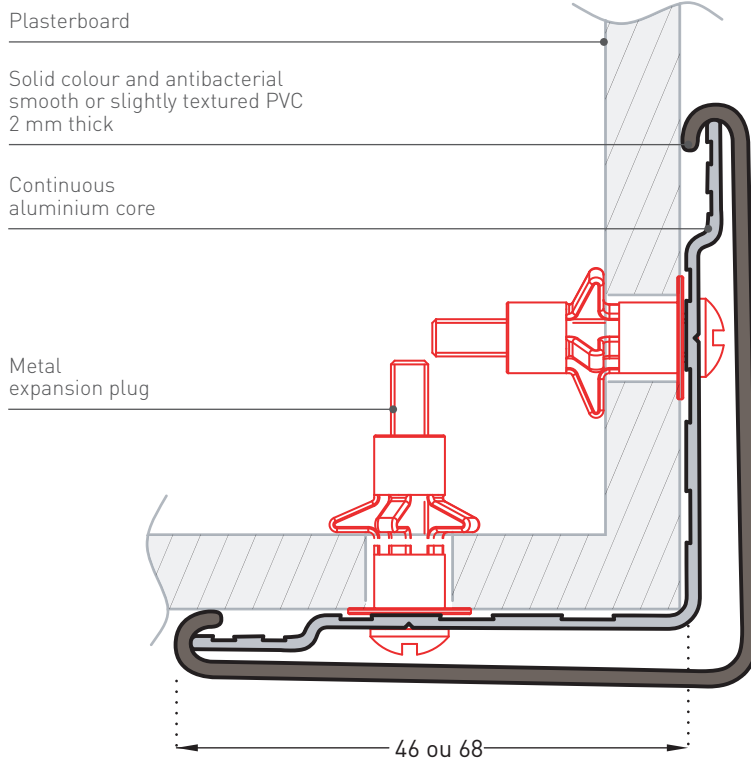
DESCRIPTION

- Model: Combo'Corner 75 or 50 corner protector on aluminium core
- Angle: 90°
- Wing width (internal measurement):
68 mm Combo'Corner 75
46 mm Combo'Corner 50
- Thickness: 2 mm
- Length: 1.30 m, 2.00 m or 4.00 m
- Material: antibacterial and Bs2d0 fire-rated PVC, solid colour
- Surface finish: smooth or slightly textured («Optimixt» grain*)
- Fixing: continuous aluminium core
- Colours: 4 standard

*"Optimixt" grain: optimal combination of scratch resistance, hygiene and aesthetic.

SPECIFICATION

- Description: 90° corner protector on aluminium core (Combo'Corner 75 or 50 as manufactured by SPM) from smooth or slightly textured (Optimixt grain as manufactured by SPM) and antibacterial PVC, 2 mm thick, achieving Bs2d0 fire rating with solid colour. Wings are 68 mm or 46 mm wide (internal measurement) and snap-fix onto a continuous aluminium core. The corner protector is finished with a slightly textured PVC endcap.
- Environment: no heavy metals and no substance potentially subjected to any REACH restriction are used in its manufacture, nor PBT/BPA. The calcium-zinc thermal stabilisation process is used. The emission level of volatile substance in inside air has been tested according to ISO 16000-6 and is very low (A+) according to the French regulation (23 March 2011 nr 2011-321 Decree and 19 April 2011 Order). 100% of the product are recyclable.
- Colour: selected by architects from manufacturer's standard range.
- Installation method: snap-fixes onto continuous aluminium core screwed to the wall.





Combo'Corner 135 // 4 colours*



*and 27 colours on request with a minimum order quantity.

COMBO'CORNER

135° CORNER PROTECTOR ON ALUMINIUM CORE



APPLICATIONS

This corner protector prevents high impact damage from wheeled traffic for 135° angles in corridors thanks to its shock absorbent PVC on continuous aluminium core.

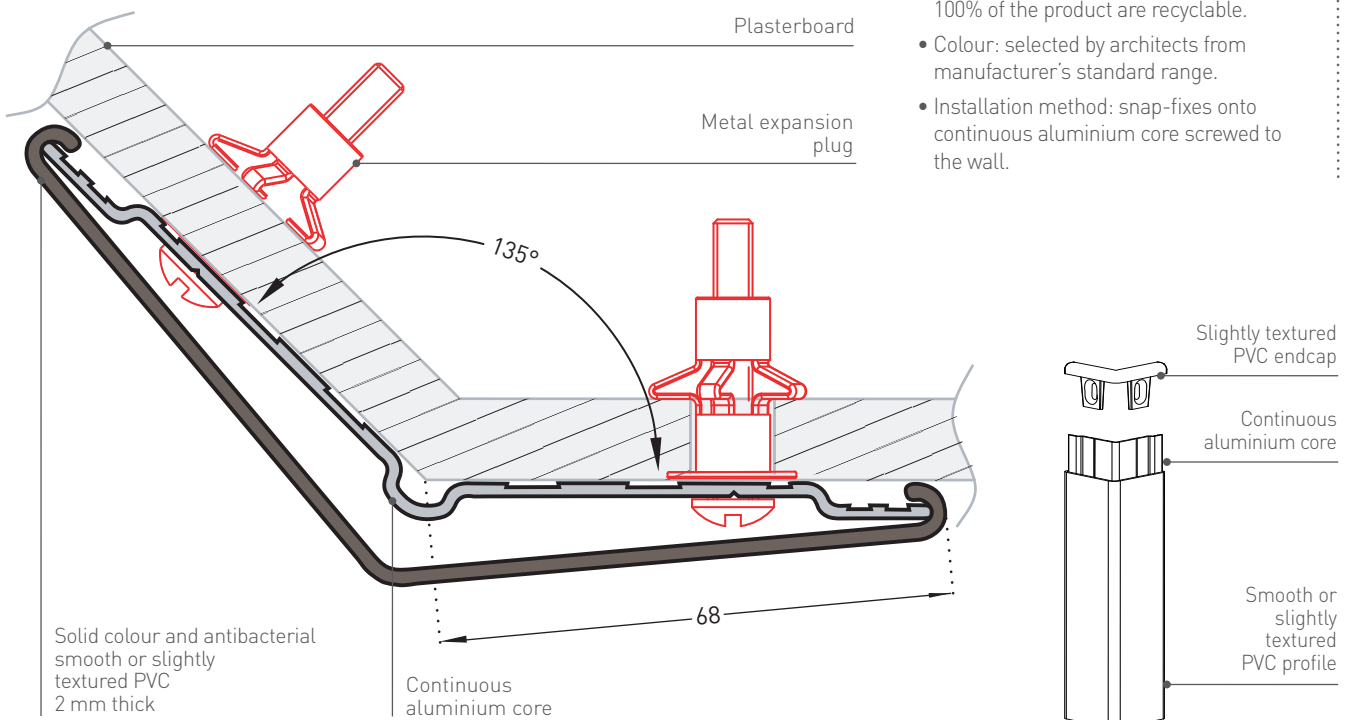
DESCRIPTION

- Model: Combo'Corner corner protector on aluminium core
- Angle: 135°
- Wing width: 68 mm (internal measurement)
- Thickness: 2 mm
- Length: 1.30 m, 2.00 m or 4.00 m
- Material: antibacterial and Bs2d0 fire-rated PVC, solid colour
- Surface finish: smooth or slightly textured («Optimixt» grain*)
- Fixing: continuous aluminium core
- Colours: 4 standard

* «Optimixt» grain: optimal combination of scratch resistance, hygiene and aesthetic.

SPECIFICATION

- Description: 135° corner protector on aluminium core (Combo'Corner as manufactured by SPM) from smooth or slightly textured (Optimixt grain as manufactured by SPM) and antibacterial PVC, 2 mm thick, achieving Bs2d0 fire rating with solid colour. Wings are 68 mm wide (internal measurement) and snap-fix onto a continuous aluminium core. The corner protector is finished with a slightly textured PVC endcap.
- Environment: no heavy metals and no substance potentially subjected to any REACH restriction are used in its manufacture, nor PBT/BPA. The calcium-zinc thermal stabilisation process is used. The emission level of volatile substance in inside air has been tested according to ISO 16000-6 and is very low [A+] according to the French regulation [23 March 2011 nr 2011-321 Decree and 19 April 2011 Order]. 100% of the product are recyclable.
- Colour: selected by architects from manufacturer's standard range.
- Installation method: snap-fixes onto continuous aluminium core screwed to the wall.



CORNER PROTECTION

Colours available per product: please see the colour summary hinge

Let discover technical solutions at the end of the guide

Specifications and section drawings on our website www.spm-international.com



bimobject BIMObject in Revit and Archicad



LINEA'FLEX

FLEXIBLE ADHESIVE CORNER PROTECTOR WITH VARIABLE ANGLE ENDCAP



APPLICATIONS

The Linea'Flex corner protector is the product of advanced technical expertise, combining impact resistance, flexibility and discretion, and blending perfectly with the Linea range. It provides effective protection for all angles from 80° to 150° thanks to its flexible central part mounted on two dampers for added resistance.

Thanks to its variable angle endcap it fits to any height with maximum hygiene. Installation is quick and easy with two strips of double-sided adhesive tape.

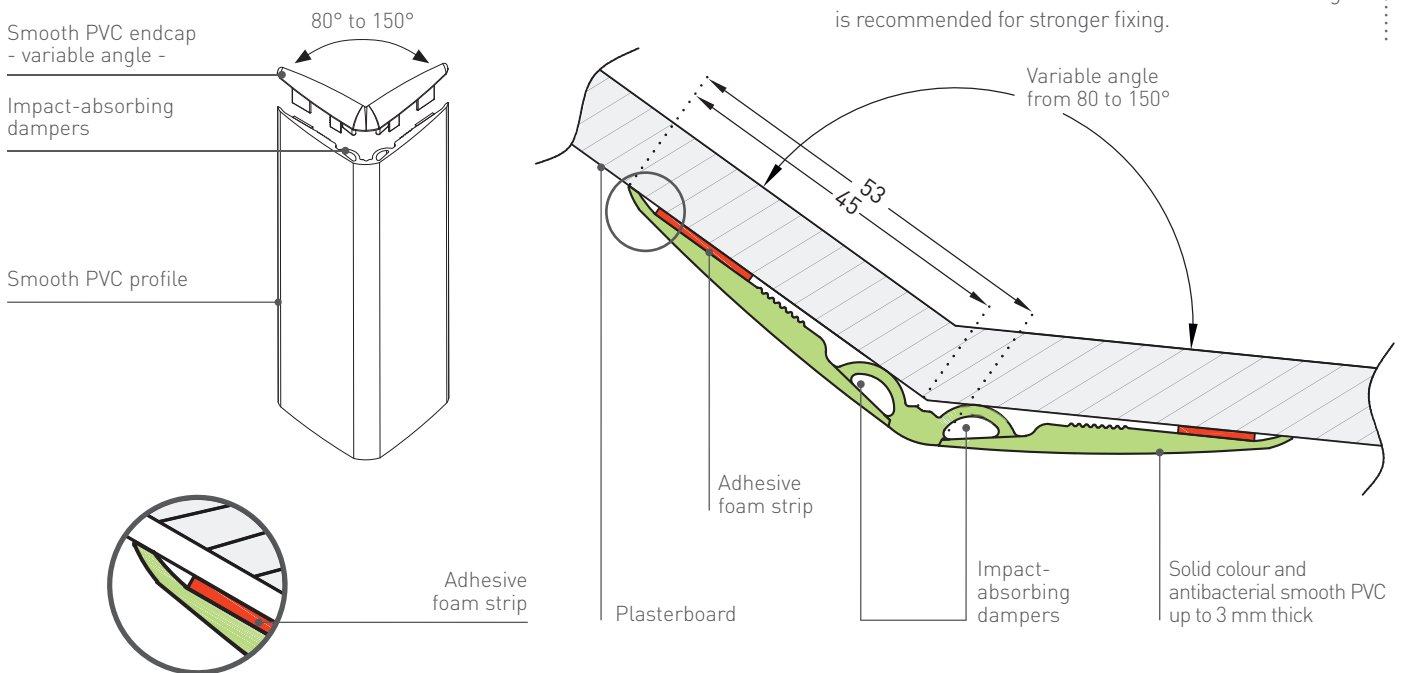
It blends discreetly into corridors and rooms that are exposed to repeated impacts in hospitals, clinics, retirement homes, schools, hotels, restaurants, offices and stores.

DESCRIPTION

- Model: Linea'Flex flexible adhesive corner protector with variable angle endcap
- Angle: from 80° to 150°
- Wing width: 45 mm (internal measurement)
- Thickness: cross-section up to 3 mm
- Length: 1.30 m, 2.00 m or 4.00 m
- Material: antibacterial and Bs2d0 fire-rated PVC, solid colour
- Surface finish: smooth
- Fixing: adhesive foam strips reinforced with SPM universal mastic glue
- Colours: 33 standard

SPECIFICATION

- Description: variable angle adhesive corner protector (from 80° to 150°) with a variable angle endcap (Linea'Flex as manufactured by SPM) from smooth and antibacterial PVC, 1 mm to 3 mm, achieving Bs2d0 fire rating with solid colour. A protective film is specified to minimise cleaning before acceptance. Wings are 45 mm wide (internal measurement) and the central part is reinforced with two impact-absorbing dampers. The wrenching grip is minimal by the progressive thickness (1 to 3 mm) and the beveled shape of the wings. The corner protector is provided with 2 strips of foam adhesive tape for fixing and is finished with a smooth and beveled PVC endcap. This adhesive corner protector achieves an impact resistance in excess of 110 Joules, i.e., an impact of more than 320 kg travelling at 3 km/h.
- Environment: no heavy metals and no substance potentially subjected to any REACH restriction are used in its manufacture, nor PBT/BPA. The calcium-zinc thermal stabilisation process is used. The emission level of volatile substance in inside air has been tested according to ISO 16000-6 and is very low (A+) according to the French regulation (23 March 2011 nr 2011-321 Decree and 19 April 2011 Order). 100% of the product are recyclable.
- Colour: selected by architects from manufacturer's standard range.
- Installation method: adhesive. SPM universal mastic glue is recommended for stronger fixing.





PROTECTA 2

VARIABLE ANGLE FLEXIBLE ADHESIVE CORNER PROTECTOR



APPLICATIONS

Thanks to its rounded, reinforced spine, this product provides efficient, decorative and economical protection for all corners exposed to frequent impact.

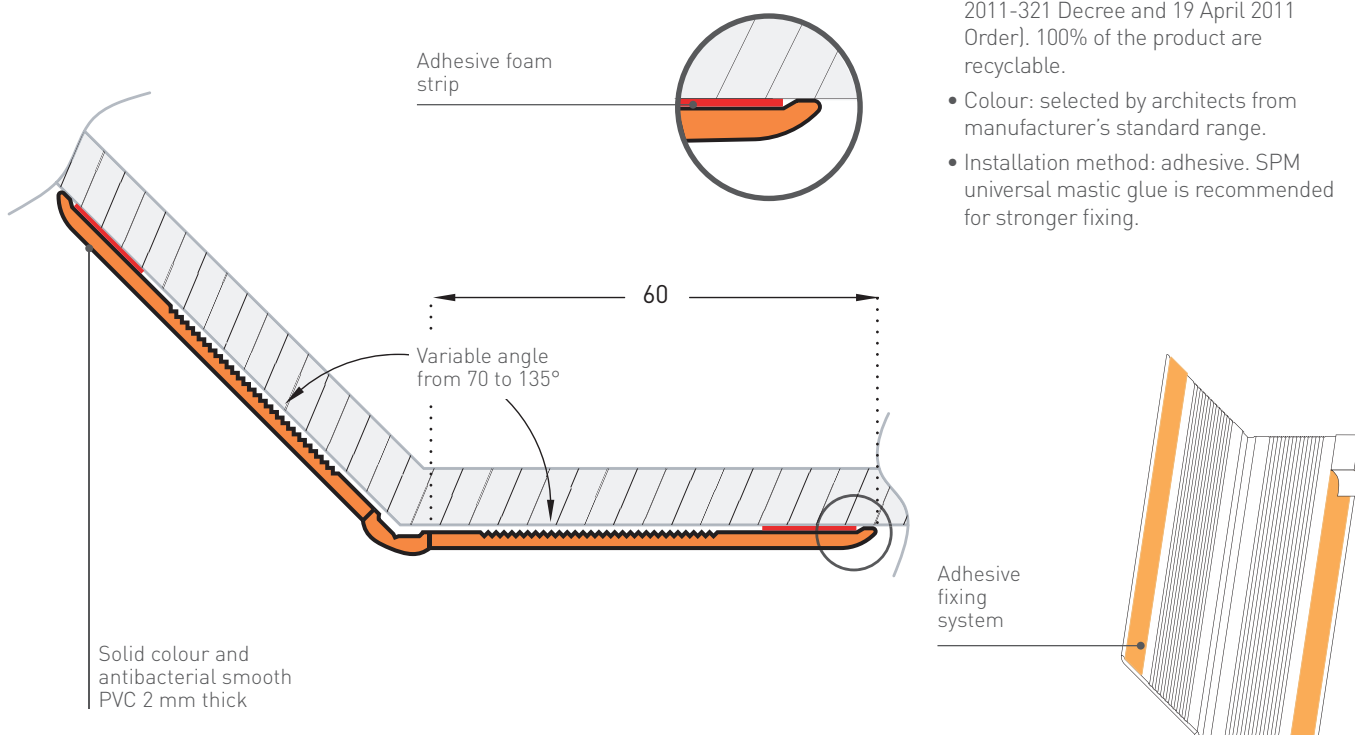
Available in 33 standard colours, this model blends in with all interior decoration styles in public buildings.

DESCRIPTION

- Model: Protecta 2 flexible adhesive corner protector
- Angle: from 70 to 135°
- Wing width : 60 mm (internal measurement)
- Thickness: 2 mm
- Length: 1.30 m, 2.00 m or 4.00 m
- Material: antibacterial and Bs2d0 fire-rated PVC, solid colour
- Surface finish: smooth
- Fixing: adhesive foam strips reinforced with SPM universal mastic glue
- Colours: 33 standard

SPECIFICATION

- Description: variable angle adhesive corner protector (from 70° to 135°) with flexible strip (Protecta 2 as manufactured by SPM) from smooth and antibacterial PVC, 2 mm thick, achieving Bs2d0 fire rating with solid colour. A protective film is specified to minimise cleaning before acceptance. Wings are 60 mm wide (internal measurement) and the central rounded bead forms a decorative and harmless strip. It is provided with 2 strips of foam adhesive tape for fixing.
- Environment: no heavy metals and no substance potentially subjected to any REACH restriction are used in its manufacture, nor PBT/BPA. The calcium-zinc thermal stabilisation process is used. The emission level of volatile substance in inside air has been tested according to ISO 16000-6 and is very low (A+) according to the French regulation (23 March 2011 nr 2011-321 Decree and 19 April 2011 Order). 100% of the product are recyclable.
- Colour: selected by architects from manufacturer's standard range.
- Installation method: adhesive. SPM universal mastic glue is recommended for stronger fixing.



CORNER PROTECTION

Colours available per product: please see the colour summary hinge

Let discover technical solutions at the end of the guide

Specifications and section drawings on our website www.spm-international.com

BimObject in Revit and Archicad



COMBO'FLEX

VARIABLE ANGLE FLEXIBLE ADHESIVE CORNER PROTECTOR



APPLICATIONS

Combo'Flex protects all corners exposed to frequent and light impact in hotels, schools, offices or nurseries.

Its matte finish is provided by its slightly textured surface.

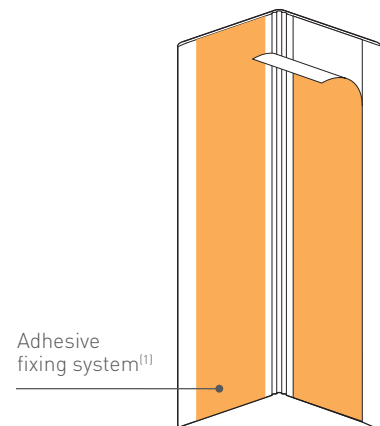
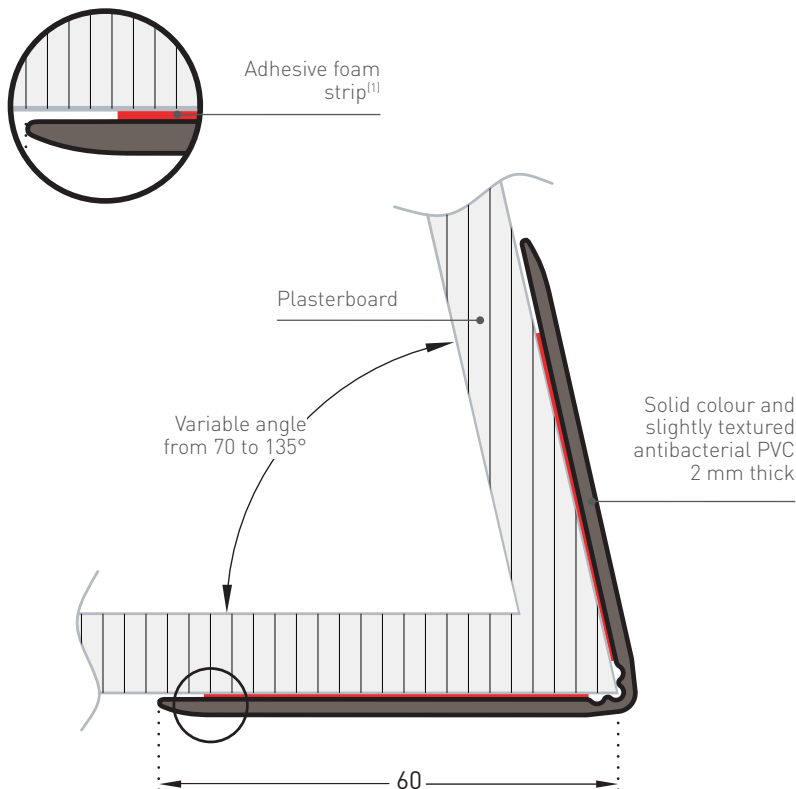
DESCRIPTION

- Model: Combo'Flex flexible adhesive⁽¹⁾ corner protector
- Angle: from 70° to 135°
- Wing width: 60 mm (internal measurement)
- Thickness: 2 mm
- Length: 1.30 m, 2.00 m or 4.0m
- Material: antibacterial and Bs2d0 fire-rated PVC, solid colour
- Surface finish : slightly textured («Optimixt» grain*)
- Fixing: adhesive foam strips reinforced with SPM universal mastic glue
- Colours: 4 standard

* "Optimixt" grain: optimal combination of scratch resistance, hygiene and aesthetic.

SPECIFICATION

- Description: variable angle adhesive corner protector (from 70° to 135°) with flexible strip (Combo'Flex as manufactured by SPM) from slightly textured (Optimixt grain as manufactured by SPM) and antibacterial PVC, 2 mm thick, achieving Bs2d0 fire rating with solid colour. Wings are 60 mm wide (internal measurement). It is provided with 2 strips of foam adhesive tape for fixing (or without adhesive tape on request).
- Environment: no heavy metals and no substance potentially subjected to any REACH restriction are used in its manufacture, nor PBT/BPA. The calcium-zinc thermal stabilisation process is used. The emission level of volatile substance in inside air has been tested according to ISO 16000-6 and is very low (A+) according to the French regulation (23 March 2011 nr 2011-321 Decree and 19 April 2011 Order). 100% of the product are recyclable.
- Colour: selected by architects from manufacturer's standard range.
- Installation method: adhesive. SPM universal mastic glue is recommended for stronger fixing.



⁽¹⁾ Also available without adhesive tape on request.

Colours available per product: please see the colour summary hinge



Combo'Line 75 / 50 / 25 // 4 colours*



* and 29 colours on request with a minimum order quantity

COMBO'LINE 75, 50 AND 25

90° ADHESIVE CORNER PROTECTORS



APPLICATIONS

These corner protectors blend in seamlessly with all interiors and protect corners from light impact. The slightly textured surface gives them a matte finish.

Combo'Line 25 suits also for door frame protection.

DESCRIPTION

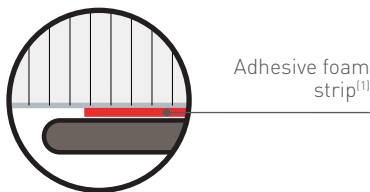
- Model: Combo'Line 75, 50 or 25 adhesive⁽¹⁾ corner protectors
- Angle: 90°
- Wing width (internal measurement):
75 mm Combo'Line 75
50 mm Combo'Line 50
25 mm Combo'Line 25
- Thickness: 2 mm
- Length: 1.30 m, 2.00 m or 4.0m
- Material: antibacterial and Bs2d0 fire-rated PVC, solid colour
- Surface finish : slightly textured («Optimixt» grain*)
- Fixing: adhesive foam strips reinforced with SPM universal mastic glue
- Colours: 4 standard

* «Optimixt» grain: optimal combination of scratch resistance, hygiene and aesthetic.

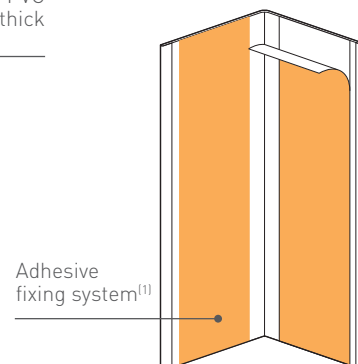
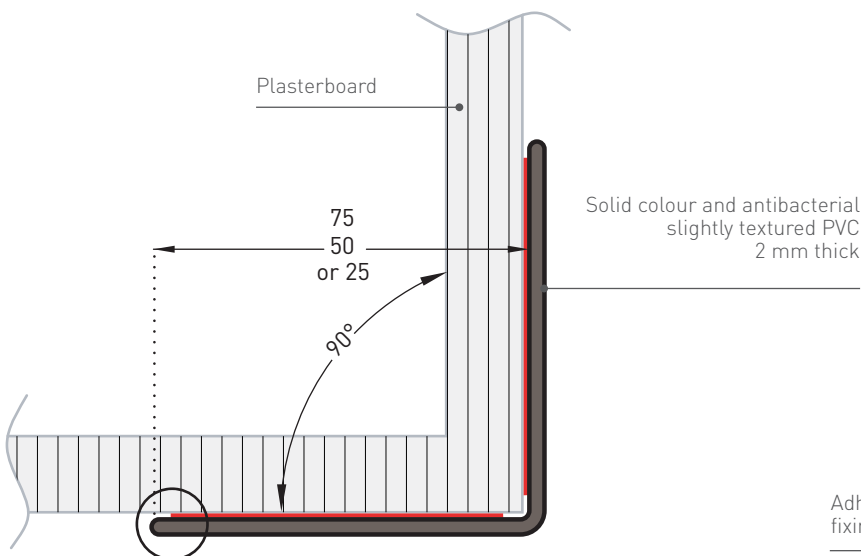
SPECIFICATION

- Description: 90° adhesive corner protector (Combo'Line 75, 50 or 25 as manufactured by SPM) from slightly textured (Optimixt grain as manufactured by SPM) and antibacterial PVC, 2 mm thick, achieving Bs2d0 fire rating with solid colour. Wings are 75 mm, 50 mm or 25 mm wide (internal measurement). It is provided with 2 strips of foam adhesive tape for fixing (or without adhesive tape on request).
- Environment: no heavy metals and no substance potentially subjected to any REACH restriction are used in its manufacture, nor PBT/BPA. The calcium-zinc thermal stabilisation process is used. The emission level of volatile substance in inside air has been tested according to ISO 16000-6 and is very low (A+) according to the French regulation (23 March 2011 nr 2011-321 Decree and 19 April 2011 Order). 100% of the product are recyclable.
- Colour: selected by architects from manufacturer's standard range.
- Installation method: adhesive. SPM universal mastic glue is recommended for stronger fixing.

CORNER PROTECTION



Adhesive foam strip⁽¹⁾



Adhesive fixing system⁽¹⁾

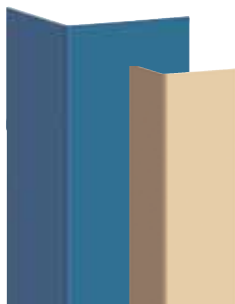
⁽¹⁾ Also available without adhesive tape on request.

Colours available per product:
please see the colour summary hinge

Let discover technical solutions at the end of the guide

Specifications and section drawings on our website www.spm-international.com

BimObject in Revit and Archicad



PROFILA 50 AND 30

90° ADHESIVE CORNER PROTECTORS



APPLICATIONS

These corners protectors blend in seamlessly with all interiors and protects corners from light impacts.

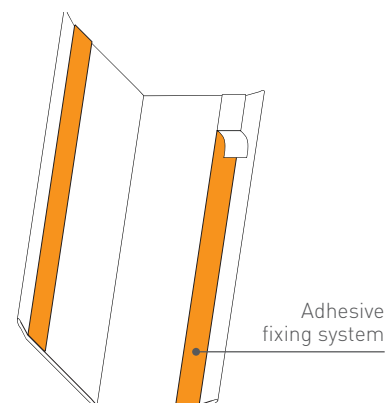
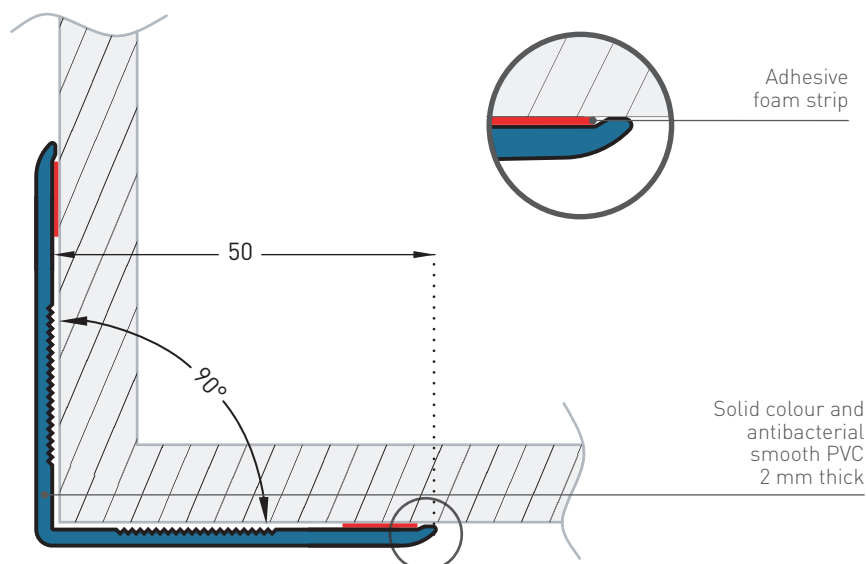
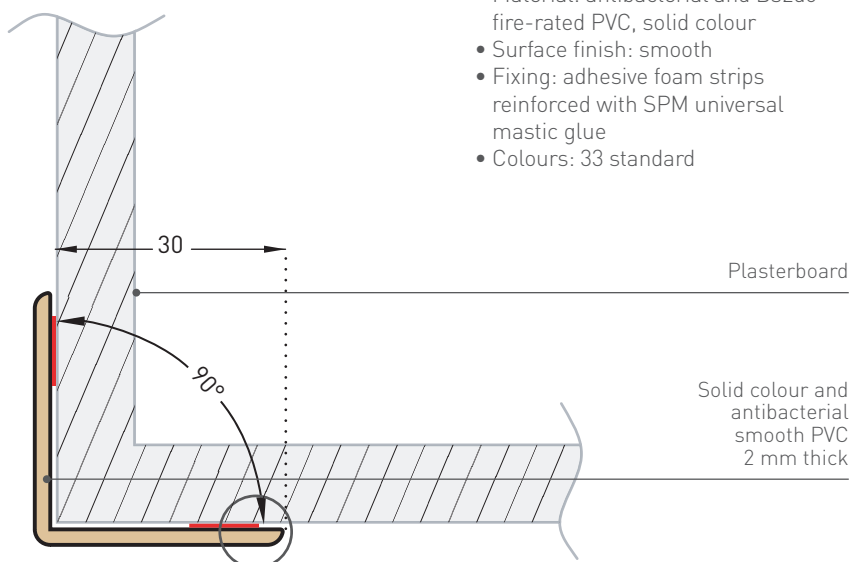
Profila 30 can also protect some door frames.

DESCRIPTION

- Model: Profila 50 and 30 adhesive corner protectors
- Angle: 90°
- Wing width (internal measurement):
50 mm Profila 50
30 mm Profila 30
- Thickness: 2 mm
- Length: 1.30 m, 2.00 m or 4.00 m
- Material: antibacterial and Bs2d0 fire-rated PVC, solid colour
- Surface finish: smooth
- Fixing: adhesive foam strips reinforced with SPM universal mastic glue
- Colours: 33 standard

SPECIFICATION

- Description: 90° adhesive corner protector (Profila 50 or 30 as manufactured by SPM) from smooth and antibacterial PVC, 2 mm thick, achieving Bs2d0 fire rating with solid colour. A protective film is specified to minimise cleaning before acceptance. Wings are 50 or 30 mm wide (internal measurement). It is provided with 2 strips of foam adhesive tape for fixing.
- Environment: no heavy metals and no substance potentially subjected to any REACH restriction are used in its manufacture, nor PBT/BPA. The calcium-zinc thermal stabilisation process is used. The emission level of volatile substance in inside air has been tested according to ISO 16000-6 and is very low (A+) according to the French regulation (23 March 2011 nr 2011-321 Decree and 19 April 2011 Order). 100% of the product are recyclable.
- Colour: selected by architects from manufacturer's standard range.
- Installation method: adhesive. SPM universal mastic glue is recommended for stronger fixing.





Profil'Inox
// Brushed finish

PROFIL'INOX 50 AND 30

90° ADHESIVE CORNER PROTECTORS IN BRUSHED STAINLESS STEEL



APPLICATIONS

Profil'Inox protect 90° corners exposed to impacts. They are instantly recognisable by their rounded spine and lightly beveled sides.

They are approved for use in food-handling areas.

Ideally suited for heavily used or wet areas, they are particularly useful in the food and pharmaceutical industries as well as in healthcare establishments, main kitchens, etc.

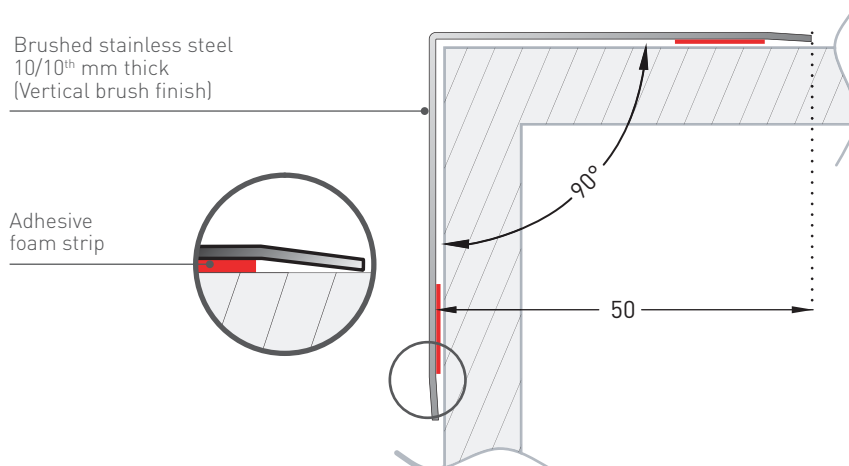
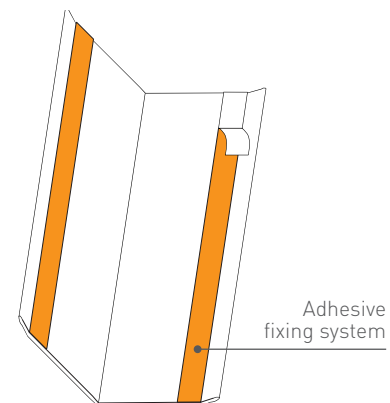
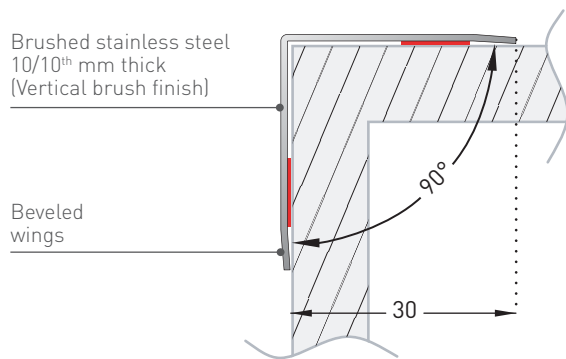
DESCRIPTION

- Model: Profil'Inox 50 or 30 adhesive corner protector
- Angle: 90°
- Wing width: 50 or 30 mm (internal measurement)
- Thickness: 10/10th mm
- Length: 2.50 m
- Material: stainless steel (approved for food-handling areas)
- Fixing: adhesive foam strips reinforced with SPM universal mastic glue
- Finish: brushed metal

SPECIFICATION

- Description: 90° adhesive corner protector with 50 or 30 mm wings (internal measurement) (Profil'Inox 50 or 30 as manufactured by SPM), 10/10th mm thick in brushed stainless steel approved for food handling areas and provided with two adhesive foam tapes. Wings are lightly beveled. A protective film is specified to minimise cleaning before acceptance.
- Finish: brushed metal.
- Installation method: adhesive. SPM universal mastic glue is recommended for stronger fixing.

CORNER
PROTECTION



DOOR PROTECTION

In health and other public building establishments, doors are subjected to the harshest of tests: the faces and edges are particularly exposed and prone to damage, and are crashed by trolleys, stretchers and other mobile equipment.

SPM has developed a range of protection panels and handplates.

Cut-to-size, folded into L or U bends, they fit all types of woodwork.

It is essential to protect and you can also add a decorative touch with some of SPM's original cutouts.



HALF-HEIGHT DOOR



FOOT-HEIGHT DOOR



BENDS INTO U AND L SHAPE



HANDPLATES



INLAID SIGNAGE



EHPAD Ayzac OST (65)

INLAID SIGNAGE



SOLUTIONS



Colourist N. Bernat

HALF-HEIGHT DECORATIVE DOOR - TWO-COLOUR



HANDPLATES

DOOR
PROTECTION

DOOR PROTECTION





FOOT-HEIGHT DOOR p.100
 Contact plates
 Plac'Inox



HANDPLATES p.104
 Decochoc panel
 Decosmic panel
 - decorative cutouts -



HALF-HEIGHT DOOR p.101
 Decochoc panel
 Decosmic panel
 Plac'Inox
 - straight cut -



**HALF-HEIGHT DOOR
 INLAID SIGNAGE p.105**
 Numerals, pictos
 and early childhood



**HALF-HEIGHT
 DECORATIVE DOOR p.102-103**
 Decochoc panel
 Decosmic panel
 (one or two-colour)
 - decorative cutouts -



EDGES AND FRAMES p.106-107
 Decochoc panel
 Decosmic panel
 - bends and thermoforming -

	CODE	DESCRIPTION	MATERIAL	COLOUR RANGE
FOOT-HEIGHT DOOR		Contact 350 or 200 plates	PVC	15 or 31 colours
		Straight cut Decochoc panel	PVC	33 colours
HALF-HEIGHT DOOR		Straight cut Decosmic panel	PVC	3 colours
		Plac'Inox protection plate	Stainless steel	Brushed finish
		Decochoc panel with decorative cutouts	PVC	33 colours to combine
HALF-HEIGHT DECORATIVE DOOR		Decosmic panel with decorative cutouts	PVC	3 colours to combine
		Decochoc panel with decorative cutouts	PVC	33 colours
HANDPLATES		Decosmic panel with decorative cutouts	PVC	3 colours
		Decochoc panel 1/2 height door	PVC	33 colours for numerals and pictos 11 drawings Early childhood
INLAID SIGNAGE		Decosmic panel 1/2 height door	PVC	3 colours for numerals and pictos
		Decochoc panel bends and thermoforming	PVC	33 colours
EDGES AND FRAMES		Decosmic panel bends and thermoforming	PVC	3 colours



Contact 350
// 15 colours*



* and 16 colours with minimum order quantity.

FOOT-HEIGHT DOOR CONTACT ADHESIVE PROTECTION PLATES



DESCRIPTION

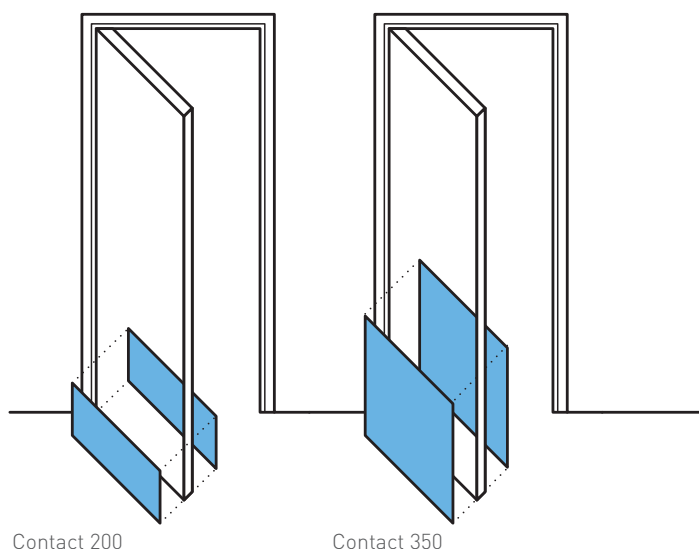
- Model: Contact 350 or 200 adhesive protection plate
- Height: 350 or 200 mm
- Thickness: 2.5 mm
- Length: 4 m
- Material: antibacterial and Bs2d0 fire-rated PVC, solid colour
- Surface finish: smooth with decorative grooves
- Fixing: adhesive foam strips reinforced with SPM universal mastic glue
- Colours:
 - 31 standard for Contact 200
 - 15 standard for Contact 350

SPECIFICATION

- Description: adhesive protection plate (Contact 350 or 200 as manufactured by SPM) from smooth and antibacterial PVC achieving Bs2d0 fire rating with solid colour. PVC profile is 350 or 200 mm high and 2.5 mm thick. It provides a smooth surface finish with decorative grooves. A protective film is specified to minimise cleaning before acceptance. It is provided with 2 or 3 strips of foam adhesive tape for fixing.
- Environment: no heavy metals and no substance potentially subjected to any REACH restriction are used in its manufacture, nor PBT/BPA. The calcium-zinc thermal stabilisation process is used. The emission level of volatile substance in inside air has been tested according to ISO 16000-6 and is very low (A+) according to the French regulation (23 March 2011 nr 2011-321 Decree and 19 April 2011 Order). 100% of the product are recyclable.
- Colour: selected by architects from manufacturer's standard range.
- Installation method: adhesive. SPM universal mastic glue is recommended for stronger fixing.



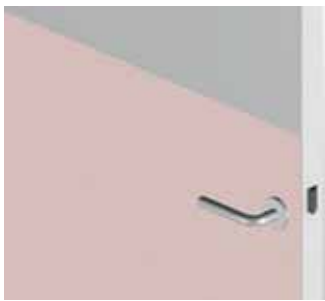
Recommended protection height: 200 mm or 350 mm



PLAC'INOX STAINLESS STEEL PROTECTION PLATE

Please refer to page 80





HALF-HEIGHT DOOR

DECOCHOC / DECOSMIC
PROTECTION AND COVERING PANELS - STRAIGHT CUT -



APPLICATIONS

Protects and decorates doors in corridors and entrances to hospitals, clinics, retirement homes, schools, kitchens, restaurants, collective housing...

To avoid the handle and lock and facilitate installation, we recommend a protection height below either 900 mm or 1100 mm.

DESCRIPTION

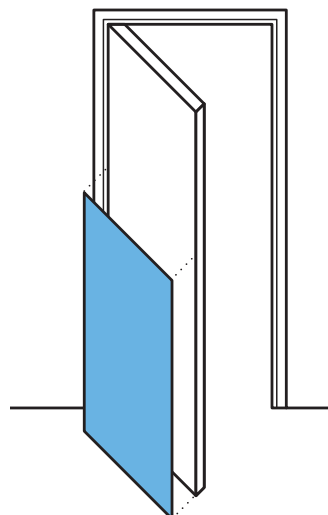
- Model: cut-to-size Decochoch or Decosmic protection and covering panel
- Standard dimensions: 3 m x 1,30 m
- Custom options: cutting-to-size, chamfer
- Thickness: 2 mm
- Material: antibacterial and Bs2d0 fire-rated PVC, solid colour
- Surface finish: slightly textured
- Fixing: adhesive bonding with SPM acrylic glue or SPM universal mastic glue
- Colours:
 - 33 standard for Decochoch
 - 3 standard for Decosmic

SPECIFICATION

- Description: 2 mm thick protection and covering panel (Decochoch or Decosmic as manufactured by SPM) from rigid and antibacterial PVC achieving Bs2d0 fire rating with solid colour and slightly textured surface.
- Environment: no heavy metals and no substance potentially subjected to any REACH restriction are used in its manufacture, nor PBT/BPA. The calcium-zinc thermal stabilisation process is used. The emission level of volatile substance in inside air has been tested according to ISO 16000-6 and is very low (A+) according to the French regulation (23 March 2011 nr 2011-321 Decree and 19 April 2011 Order). 100% of the product are recyclable.
- Colour: selected by architects from manufacturer's standard range.
- Installation method: glue as per manufacturer's instructions.



**Recommended protection height:
from 800 mm to 1300 mm**



PLAC'INOX STAINLESS STEEL PROTECTION PLATE

Please refer to page 80

Colours available per product:
please see the colour summary hinge

Let discover technical solutions at the end of the guide

Specifications and section drawings on our website www.spm-international.com

bimobject

BimObject in Revit and Archicad



HALF-HEIGHT DECORATIVE DOOR

DECOCHOC / DECOSMIC

PROTECTION AND COVERING PANELS - *DECORATIVE CUTOUTS* -

ONE COLOUR

APPLICATIONS

These cutouts provide half-height protection and decoration for doors.

Ideal for use in corridors in public buildings: hospitals, schools, restaurants, hotels...

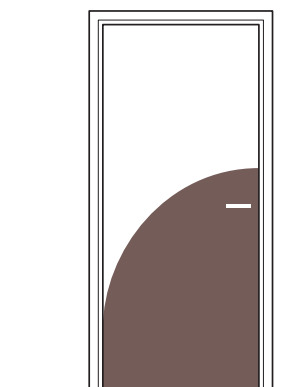
Shapes and colours make easier the location of different doors: rooms, staff rooms, technical premises, etc.

DESCRIPTION

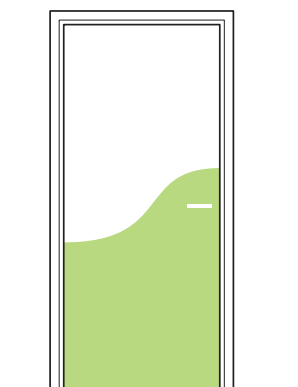
- Description: one colour protection and covering masks with cut-to-size Decochoc or Decosmic panel
- Thickness: 2 mm
- Material: antibacterial and Bs2d0 fire-rated PVC, solid colour
- Surface finish: slightly textured
- Fixing: adhesive bonding with SPM acrylic glue or SPM universal mastic glue
- Colours:
 - 33 standard for Decochoc
 - 3 standard for Decosmic

SPECIFICATION

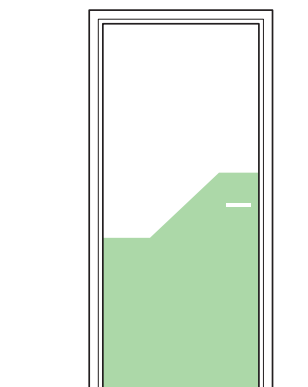
- Description: 2 mm thick half-height decorative one colour door protection (Iron, Wave, Mountain or Cubic masks as manufactured by SPM) from rigid and antibacterial PVC achieving Bs2d0 fire rating with solid colour and slightly textured surface.
- Environment: no heavy metals and no substance potentially subjected to any REACH restriction are used in its manufacture, nor PBT/BPA. The calcium-zinc thermal stabilisation process is used. The emission level of volatile substance in inside air has been tested according to ISO 16000-6 and is very low (A+) according to the French regulation (23 March 2011 nr 2011-321 Decree and 19 April 2011 Order). 100% of the product are recyclable.
- Colour: selected by architects from manufacturer's standard range.
- Installation method: glue as per manufacturer's instructions.



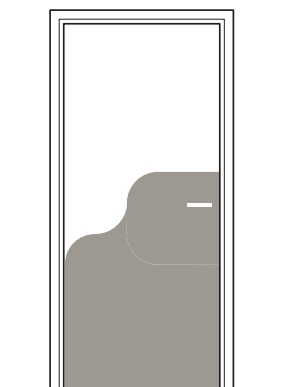
Iron



Wave



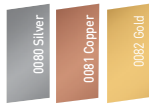
Mountain



Cubic

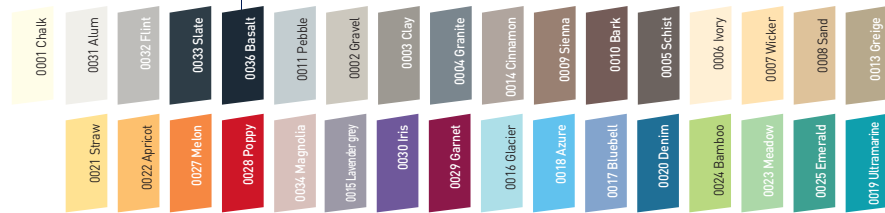


Decosmic // 3 colours



NEW

Decochoc // 33 colours



TWO-COLOUR

APPLICATIONS

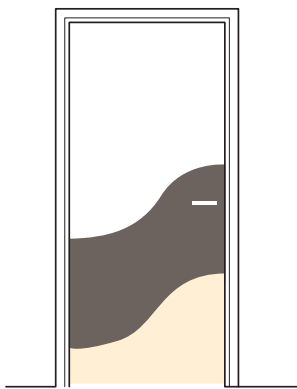
These half-door claddings protect and bring a touch of originality. This two-colour range provides visual help by using floor, department, service or section colour schemes, very useful in accessibility process.

DESCRIPTION

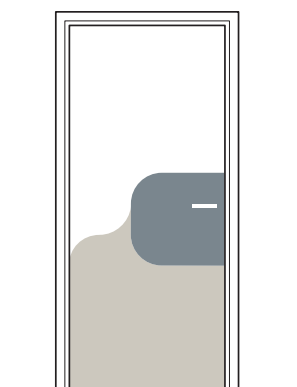
- Model: two-colour protection and covering masks with cut-to-size Decochoc or Decosmic panel
- Height: 1200 mm
- Width: 930 or 1230 mm
- Thickness: 2 mm
- Material: antibacterial and Bs2d0 fire-rated PVC, solid colour
- Surface finish: slightly textured
- Fixing: adhesive bonding with SPM acrylic glue or SPM universal mastic glue
- Colours: - 33 standard for Decochoc
- 3 standard for Decosmic

SPECIFICATION

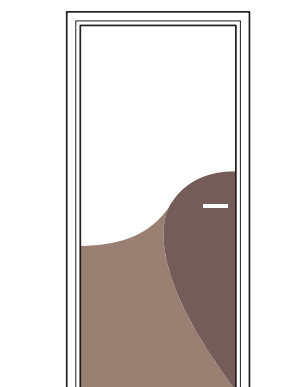
- Description: 2 mm thick half-height decorative two-colour door protection (Stratum, Cubic, Comma, Stairs, Rainbow masks as manufactured by SPM) from rigid and antibacterial PVC achieving Bs2d0 fire rating with solid colour and slightly textured surface. Width 930 or 1230 mm, height 1200 mm.
- Environment: no heavy metals and no substance potentially subjected to any REACH restriction are used in its manufacture, nor PBT/BPA. The calcium-zinc thermal stabilisation process is used. The emission level of volatile substance in inside air has been tested according to ISO 16000-6 and is very low (A+) according to the French regulation (23 March 2011 nr 2011-321 Decree and 19 April 2011 Order). 100% of the product are recyclable.
- Colour: selected by architect from manufacturer's standard range.
- Installation method: glue as per manufacturer's instructions.



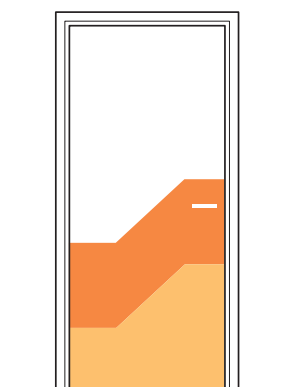
Stratum



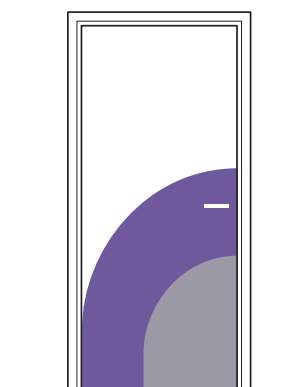
Cubic



Comma



Stairs

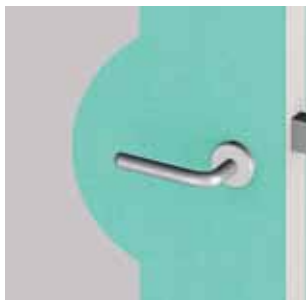


Rainbow



DOOR
PROTECTION





HANDPLATES

DECOCHOC / DECOSMIC

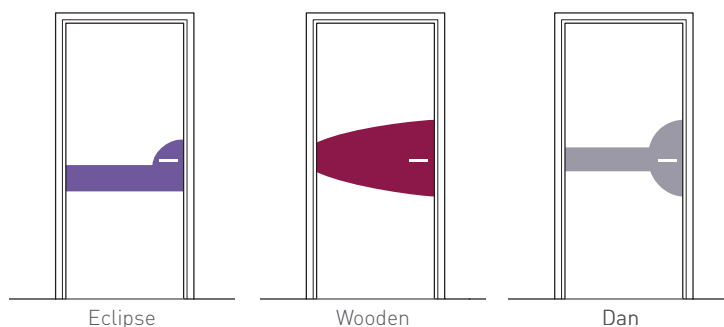
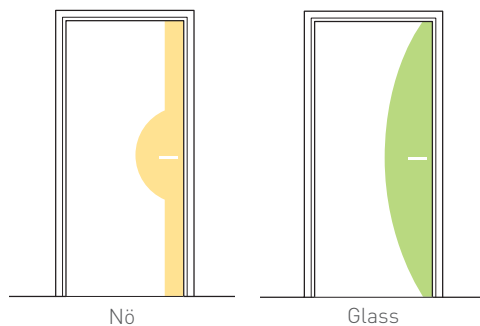
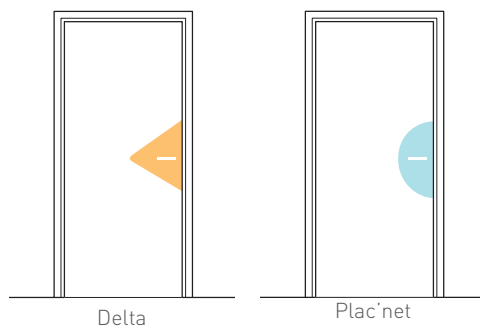
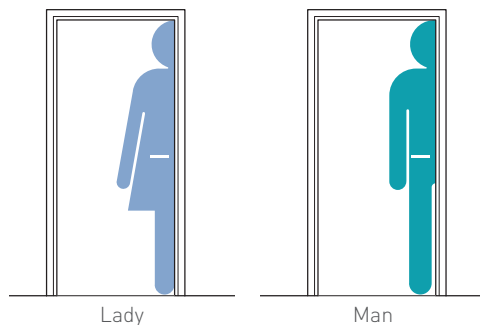
PROTECTION AND COVERING PANELS - *DECORATIVE CUTOUTS* -



APPLICATIONS

These original shapes are used to decorate and protect doors from wear and dirt around handles.

Perfect for all collective institutions: schools, hotels, offices, restaurants, hospitals, retirement homes...



DESCRIPTION

- Model: mask of handplate with cut-to-size Decochoc or Decosmic panel
- Thickness: 2 mm
- Material: antibacterial and Bs2d0 fire-rated PVC, solid colour
- Surface finish: slightly textured
- Fixing: adhesive or SPM acrylic glue or SPM universal mastic glue
- Colours:
 - 33 standard for Decochoc
 - 3 standard for Decosmic

SPECIFICATION

- Description: 2 mm thick handplates (Nö, Glass, Lady, Man, Wooden, Dan, Eclipse, Plac'net or Delta masks as manufactured by SPM) from rigid and antibacterial PVC achieving Bs2d0 fire rating with solid colour and slightly textured surface.
- Environment: no heavy metals and no substance potentially subjected to any REACH restriction are used in its manufacture, nor PBT/BPA. The calcium-zinc thermal stabilisation process is used. The emission level of volatile substance in inside air has been tested according to ISO 16000-6 and is very low (A+) according to the French regulation (23 March 2011 nr 2011-321 Decree and 19 April 2011 Order). 100% of the product are recyclable.
- Colour: selected by architects from manufacturer's standard range.
- Installation method: adhesive or glue as per manufacturer's instructions.





INLAID SIGNAGE

FOR DECOCHOC OR DECOSMIC

HALF-HEIGHT DOOR PROTECTION



APPLICATIONS

The inlaid signage with numerals, pictos or Early Childhood drawings individually identify your half-door protections in Decochoc or Decosmic by forming an effective and robust marking that is visible from a distance and easy to clean.

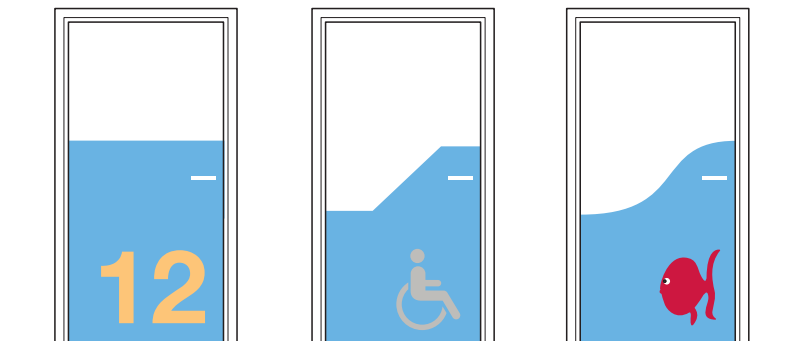
The drawings will be highly appreciated by the young public in particular, who will easily be able to find directions.

DESCRIPTION

- Model: Decochoc or Decosmic inlaid signage with Numerals, Pictos or Early Childhood drawings
- Height: 400 mm
- Thickness: 2 mm
- Material: antibacterial and Bs2d0 fire-rated PVC, solid colour
- Surface finish: slightly textured
- Fixing: adhesive bonding with SPM acrylic glue or SPM universal mastic glue
- Colours:
 - for the numerals and pictos: 33 standard in Decochoc, 3 standard in Decosmic
 - for the Early Childhood drawings: 11 standard drawings (defined colours)

SPECIFICATION

- Description: 2 mm thick inlaid signage in half-door protection (Numerals, Pictos or Early Childhood drawings as manufactured by SPM) from rigid and antibacterial PVC achieving Bs2d0 fire rating with solid colour and slightly textured surface. 400 mm high.
- Environment: no heavy metals and no substance potentially subjected to any REACH restriction are used in its manufacture, nor PBT/BPA. The calcium-zinc thermal stabilisation process is used. The emission level of volatile substance in inside air has been tested according to ISO 16000-6 and is very low (A+) according to the French regulation [23 March 2011 nr 2011-321 Decree and 19 April 2011 Order]. 100% of the product are recyclable.
- Colour: selected by architects from manufacturer's standard range.
- Installation method: glue as per manufacturer's instructions.



Signage Numbers

Signage Pictos

Signage Early Childhood - Fish -

Signage Pictos*

* Other pictos: consult us



Cloakroom



Disabled



Man



Shower



Staircase



Trash



Woman

Signage Early Childhood drawings



Bear



Beaver



Doe



Elephant



Giraffe



Hippopotamus



Lioness



Monkey



Rabbit



Toucan

Colours available per product: please see the colour summary hinge

Let discover technical solutions at the end of the guide

Specifications and section drawings on our website www.spm-international.com

bimobject BimObject in Revit and Archicad



EDGES AND FRAMES

DECOCHOC / DECOSMIC

PROTECTION AND COVERING PANELS - *BENDS INTO L AND U SHAPES* -

APPLICATIONS

Provides protection for door edges and simple frames edges against frequent impact from trolleys (corridors and entrances to healthcare facilities, laboratories...).

Lateral edges are exposed to impacts from trolleys, beds... and below edges to water leaks in the door. U-bend is perfect for wet rooms such as bathrooms, sanitary arrangements, central kitchens...

DESCRIPTION

- Model: cut-to-size Decochoc or Decosmic* protection and covering panel with bends into L and U shapes
- Thickness: 2 mm
- Material: antibacterial and Bs2d0 fire-rated PVC, solid colour
- Surface finish: slightly textured
- Fixing: adhesive bonding with SPM acrylic glue or SPM universal mastic glue
- Colours:
 - 33 standard for Decochoc
 - 3 standard for Decosmic

SPECIFICATION

- Description: 2 mm thick door protection and covering panel with bends into L or U for edge or frame protection (Decochoc or Decosmic as manufactured by SPM) from rigid and antibacterial PVC achieving Bs2d0 fire rating with solid colour and slightly textured surface.
- Environment: no heavy metals and no substance potentially subjected to any REACH restriction are used in its manufacture, nor PBT/ BPA. The calcium-zinc thermal stabilisation process is used. The emission level of volatile substance in inside air has been tested according to ISO 16000-6 and is very low (A+) according to the French regulation (23 March 2011 nr 2011-321 Decree and 19 April 2011 Order). 100% of the product are recyclable.
- Colour: selected by architects from manufacturer's standard range.
- Installation method: glue as per manufacturer's instructions.



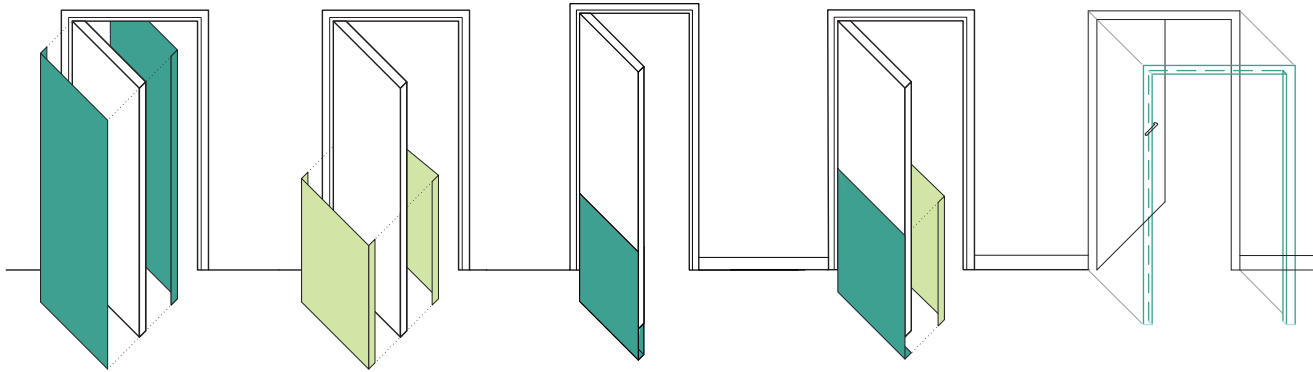
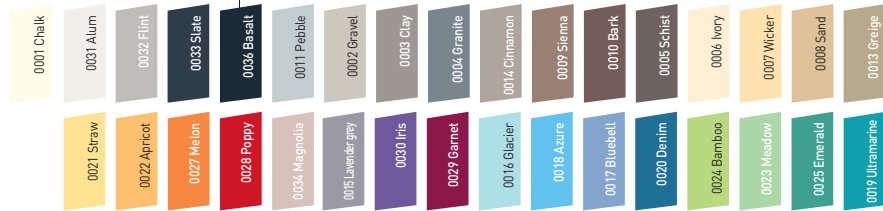
* For bend of other panels: consult us

Decosmic // 3 colours



NEW

Decochoc // 33 colours



2 bends into L shape

2 bends into U shape (lateral edges)

Bend into U shape (lower edges)

Bends into U and L shape - watertightness -

Bend into U or L - door frame protection -

THERMOFORMING OF DECOCHOC AND DECOSMIC PROTECTION AND COVERING PANELS*

APPLICATIONS

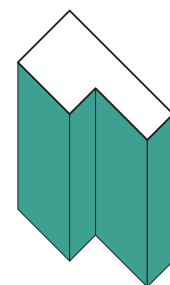
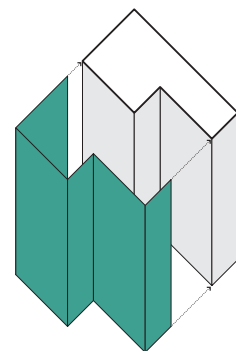
For complex door frames which cannot be protected by L or U bends (corridors in hospitals, clinics, nursing homes...).

DESCRIPTION

- Model: cut-to-size Decochoc or Decosmic* protection and covering panel with thermoforming according to template provided
- Thickness: 2 mm
- Material: antibacterial and Bs2d0 fire-rated PVC, solid colour
- Surface finish: slightly textured
- Fixing: adhesive bonding with SPM acrylic glue or SPM universal mastic glue
- Colours:
 - 33 standard for Decochoc
 - 3 standard for Decosmic

SPECIFICATION

- Description: 2 mm thick cut-to-size and thermoformed protection and covering panel (Decochoc or Decosmic as manufactured by SPM) from rigid and antibacterial PVC achieving Bs2d0 fire rating with solid colour and slightly textured surface.
- The level required for biocleaning should be validated for very high infectious risk areas such as operating theatres (sector 4) according to the Pasteur Institute of Lille (France). The chemical and mark resistance should have been proved on the usual cleaning products according to ISO 26987. The ease of nuclear decontamination according to ISO 8690 should be excellent.
- Environment: no heavy metals and no substance potentially subjected to any REACH restriction are used in its manufacture, nor PBT/ BPA. The calcium-zinc thermal stabilisation process is used. The emission level of volatile substance in inside air has been tested according to ISO 16000-6 and is very low (A+) according to the French regulation (23 March 2011 nr 2011-321 Decree and 19 April 2011 Order). 100% of the product are recyclable.
- Colour: selected by architects from manufacturer's standard range.
- Installation sequence: glue as per manufacturer's instructions.



Thermoforming Complex frame protection

* For thermoforming of other panels: consult us



HANDRAILS

Providing a good grip is a priority. SPM handrails have been designed with the greatest of care to aid mobility. Essentially, they are ergonomic, and provide both visual guidance (use of contrast provided by colours) and wall protection. Our systems are available in antibacterial PVC or aluminium and fit any configuration: walls where there are service ducts, curved walls, corners which are not 90°, staircases, while respecting the original decor.



ESCORT DUAL-HEIGHT



ESCORT DUO



ESCORT-DECOWOOD



PERFORMER 2

SPM handrails protect against hand-borne infections

Inside establishments open to the public, and especially in healthcare institutions, hygiene and the prevention of microbial contamination are permanent concerns. In particular, the hands form a significant vector for the carriage and transmission of contamination, which may be deposited on handrails. According to research, 75 to 90% of in-hospital infection in healthcare establishments may be due to hand-borne transmission. The roughness of the handrail, at the junction between profile sections and finishing accessories, collect the majority of contamination and are the most difficult points to clean.

For this reason, all SPM handrails are fitted with bactericidal joints, treated integrally and undamaged by cleaning. Their bactericidal action, proved by an independent laboratory, complements the bacteriostatic and antibacterial properties of our handrails, almost have a smooth finish.

SPM handrails provide effective help in the fight against the growth of microorganisms and the spread of infection.

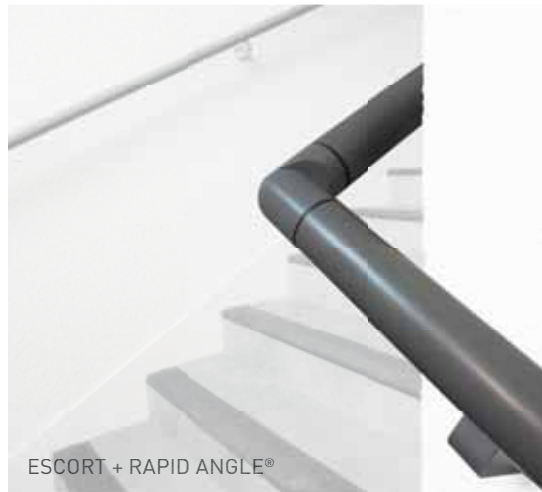


ESCORT + RAPID ACCESS®



ESCORT-PVC SHEATHED

SOLUTIONS



ESCORT + RAPID ANGLE®



STARLINE-PVC SHEATHED



LINEA TOUCH-PVC SHEATHED

HANDRAILS

PROTECTION HANDRAILS



ESCORT'DUO p.112-113
Protection handrail width 40 mm
Height 150 mm



LINEA'DUO p.112-113
Protection handrail
Height 150 mm



PERFORMER 2 p.114-115
Protection handrail
Height 140 mm



COMBO'DUO..... p.116-117
Protection handrail
Height 160 mm



STARLINE - PVC SHEATHED p.118-119
Protection handrail with Decochoc PVC band
Height 90 mm



STARLINE - ANODISED .. p.120-121
Aluminium handrail with Decowood band
Height 90 mm



with Decotrend band
Height 90 mm



with Decochoc band
Height 90 mm



	CODE	DESCRIPTION	MATERIAL	COLOUR RANGE
ESCORT'DUO		Protection handrail	PVC + aluminium	31 colours to combine
LINEA'DUO		Protection handrail	PVC + aluminium	31 colours to combine
PERFORMER 2		Protection handrail	PVC + aluminium	15 colours
COMBO'DUO		Protection handrail	PVC + aluminium	31 colours
STARLINE - PVC SHEATHED		Protection handrail with Decochoc band	PVC-sheathed aluminium + PVC band	33 colours for the band 2 colours for the sheath
STARLINE - ANODISED		Aluminium handrail with Decowood band	Aluminium + wood effect band	7 wood effect decors for the band
STARLINE - ANODISED		Aluminium handrail with Decotrend band	Aluminium + trend effect band	4 trend effect decors for the band
STARLINE - ANODISED		Aluminium handrail with Decochoc band	Aluminium + PVC band	33 colours for the band

TUBULAR HANDRAILS



LINEA'TOUCH - PVC SHEATHED p.122-123
Trilobed handrail
Width 40 mm



LINEA'TOUCH - DECOWOOD p.124-125
Wood effect trilobed handrail
Width 40 mm



LINEA'TOUCH - ANODISED p.124-125
Trilobed aluminium handrail
Width 40 mm



ESCORT - PVC SHEATHED p.126-127
Round handrail
Diameter 40 mm

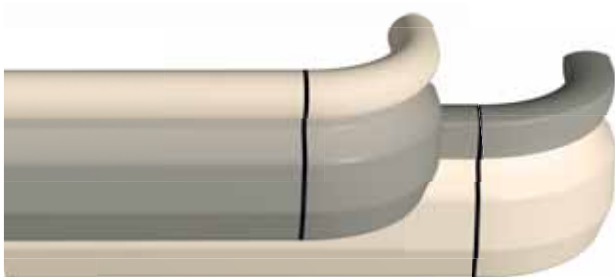


ESCORT - DECOWOOD p.128-129
Wood effect round handrail
Diameter 40 mm



ESCORT - ANODISED p.128-129
Aluminium round handrail
Diameter 40 mm

CODE	DESCRIPTION	MATERIAL	COLOUR RANGE
LINEA'TOUCH - PVC SHEATHED	Trilobed handrail width 40 mm	PVC + aluminium	31 colours
LINEA'TOUCH - DECOWOOD	Wood effect trilobed handrail width 40 mm	PVC + aluminium	6 wood effect decors
LINEA'TOUCH - ANODISED	Trilobed aluminium handrail width 40 mm	Aluminium	Satin silver anodised
ESCORT - PVC SHEATHED	Round handrail diameter 40 mm	PVC + aluminium	31 colours
ESCORT - DECOWOOD	Wood effect round handrail diameter 40 mm	PVC + aluminium	6 wood effect decors
ESCORT - ANODISED	Aluminium round handrail diameter 40 mm	Aluminium	Satin silver anodised (or coated on request)



ESCORT'DUO & LINEA'DUO

PROTECTION HANDRAILS - 150 MM HIGH

BACTERICIDAL JOINT



APPLICATIONS

Escort'Duo and Linea'Duo protection handrails are designed to ensure the double purpose of wall protection and handrail, in corridors with high impacts of wheeled equipments.

Ideal for all public buildings (hospitals, clinics, reeducation centres, homes for the elderly), they provide different choices:

- Select the shape of the upper part of the handrail: round with Escort'Duo or trilobed with Linea'Duo.
- Select the one-colour or the two-colour option to differentiate the handrail from the wall protection rail.

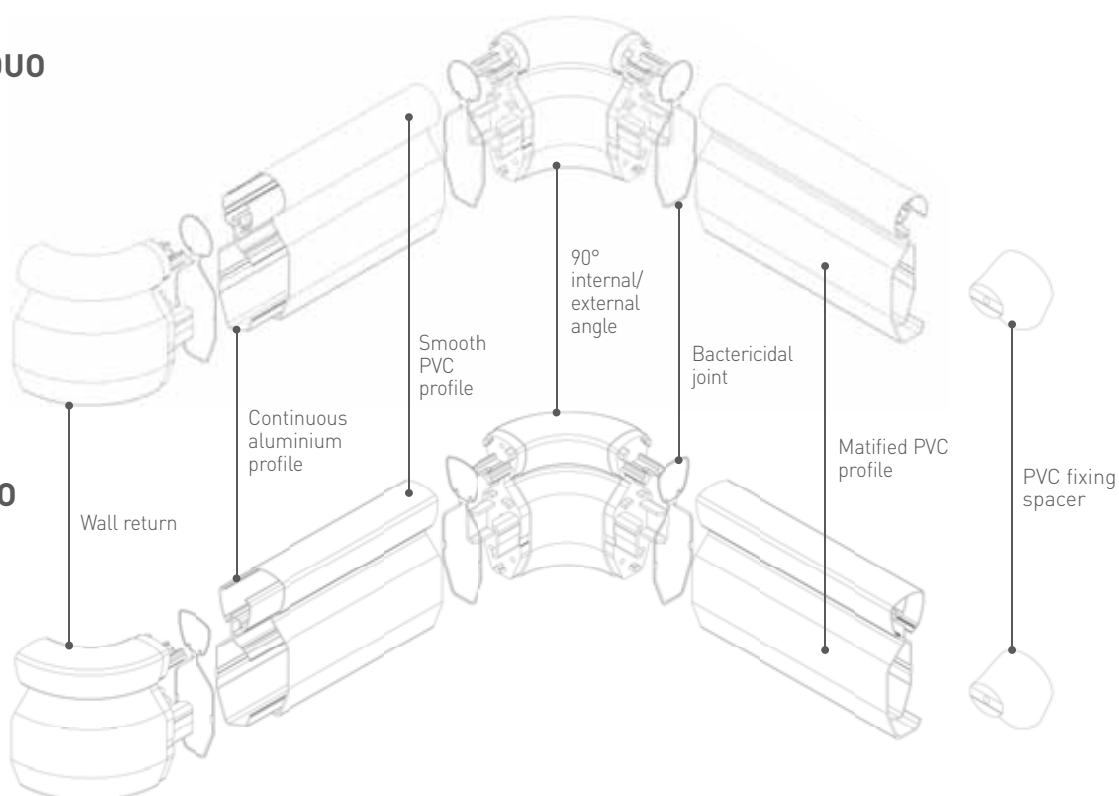
They are fitted with bactericidal joints (refer to page 108).

SPECIFICATION

- Description: hand and wall protection rail (Escort'Duo or Linea'Duo as manufactured by SPM) from 2 mm thick and antibacterial PVC achieving Bs2d0 fire rating with solid colour. The 150 mm high system combines a tubular and smooth upper part: 40 mm round handrail (Escort'Duo) or 40 mm width trilobed handrail (Linea'Duo) and a lower wall protection rail matified. The PVC profiles snap-fixe onto continuous aluminium profiles, 2 mm thick, and finish is provided by antibacterial PVC accessories, smooth for the handrail and matified for the protection rail (wall returns, 90° internal/external angles). The unit is fitted into a PVC fixing spacer. They are fitted with bactericidal joints.
- Environment: no heavy metals and no substance potentially subjected to any REACH restriction are used in its manufacture, nor PBT/BPA. The calcium-zinc thermal stabilisation process is used. The emission level of volatile substance in inside air has been tested according to ISO 16000-6 and is very low (A+) according to the French regulation (23 March 2011 nr 2011-321 Decree and 19 April 2011 Order). 100% of the product are recyclable.
- Colour: selected by architects from manufacturer's standard range.
- Installation method: upper edge of section 0.90 m max. above floor level. Fixing on PVC spacers to be fitted at 0.80 m centres (0.60 m centres in heavy traffic corridors and on light partitions like plasterboard). Wall returns and angles fixing with self-drilling screws.

ESCORT'DUO

LINEA'DUO

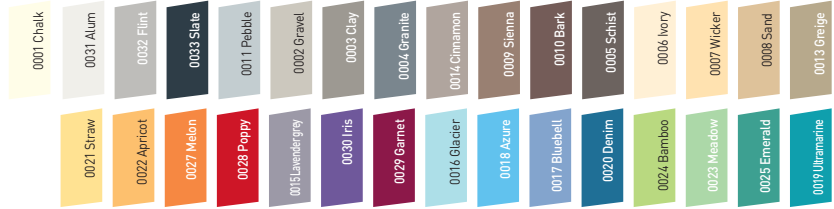


Escort'Duo & Linea'Duo
// Wall protection rail (lower part) 3 colours*

Escort'Duo & Linea'Duo
// Handrail (upper part) 31 colours



* and 28 colours on request with a minimum order quantity

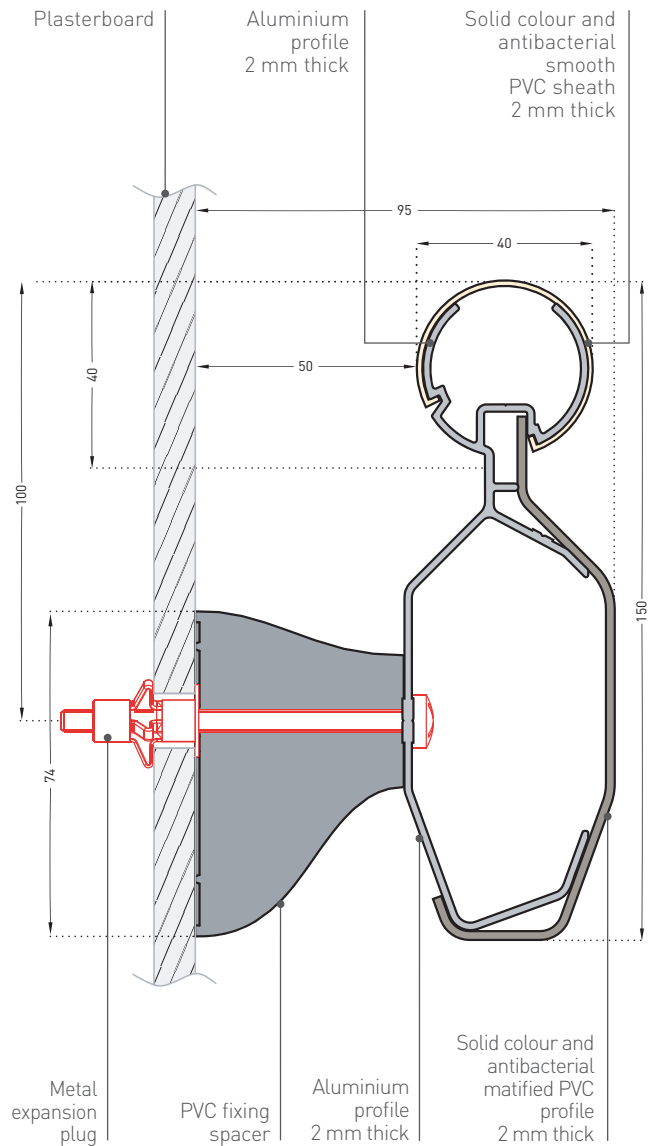
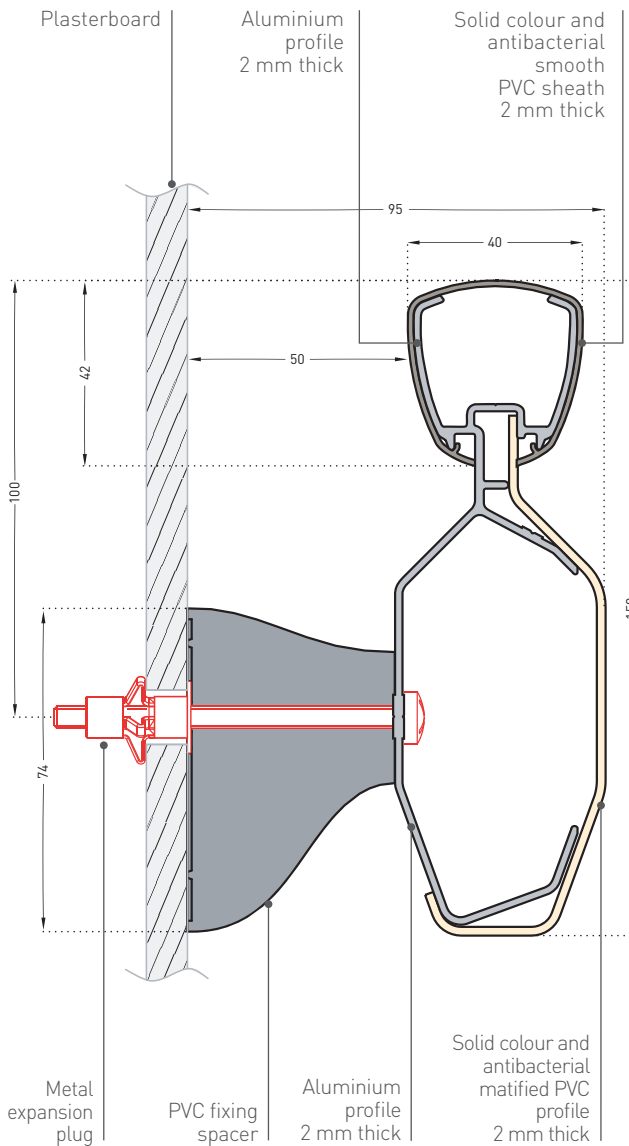


DESCRIPTION

- Model: Escort'Duo or Linea'Duo protection handrail
- Height: 150 mm
- Length: 4 m
- Tubular upper part:
 - 40 mm diameter (Escort'Duo)
 - 40 mm width (Linea'Duo)
- Overall projection: 95 mm
- Stand-off from the wall: 50 mm
- Material: 2 mm thick antibacterial and Bs2d0 fire-rated PVC, solid colour, bactericidal joint
- Surface finish: smooth for the handrail and matified for the protection rail
- Fixing: on PVC spacers to be fitted at 0.80 m centres (0.60 m centres in heavy traffic corridors and on light partitions like plasterboard)
- Colours: - 31 standard for the handrail (upper part)
- 3 standard for wall protection rail (lower part)

LINEA'DUO

ESCORT'DUO



HANDRAILS



PERFORMER 2

PROTECTION HANDRAIL - 140 MM HIGH

BACTERICIDAL JOINT



APPLICATIONS

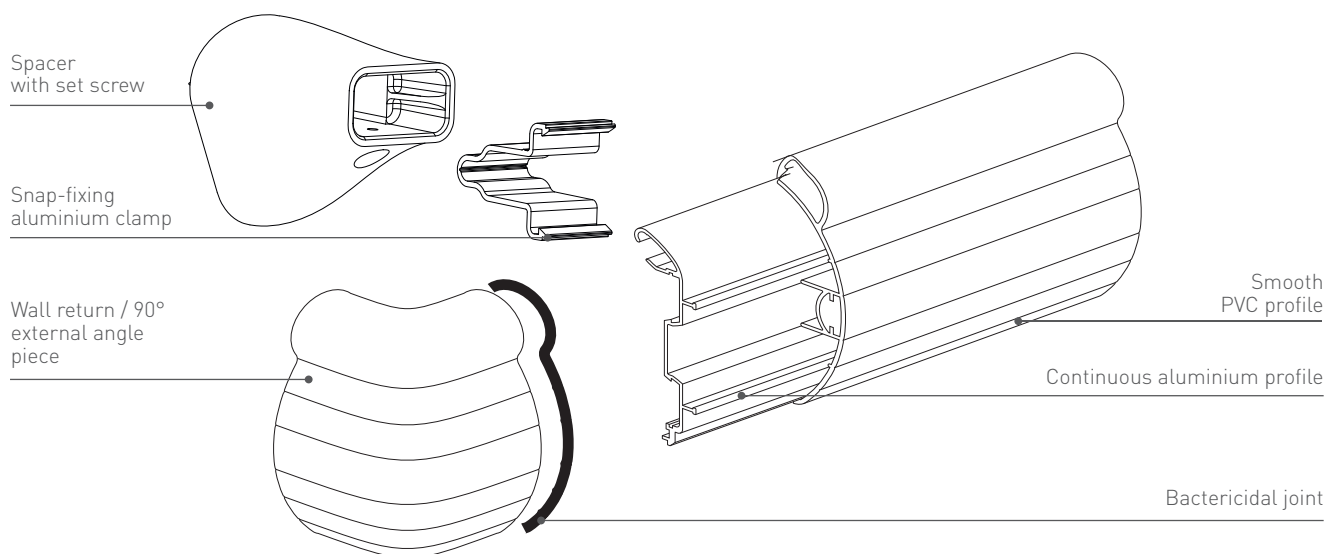
Offering both an excellent handgrip and impact resistance for corridors, this protection handrail, is ideal for all public buildings: hospitals, clinics, re-education centres, homes for the elderly.

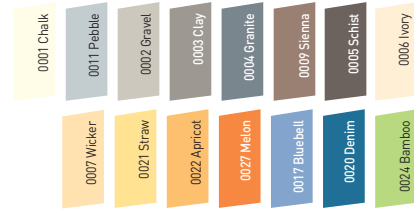
It benefits from an installation system which facilitates and speeds up the installation and helps to hide any faults in the wall.

It is fitted with bactericidal joints (refer to page 108).

SPECIFICATION

- Description: hand and wall protection rail (Performer 2 as manufactured by SPM) from 3 mm thick smooth and antibacterial PVC achieving Bs2d0 fire rating with solid colour. The 140 mm high system combines a completely smooth tubular upper part (diameter 40 mm) and a lower wall protection rail with decorative grooves. A protective film is specified to minimise cleaning before acceptance. The PVC profile snap-fixes onto a continuous aluminium profile, 2 mm thick, and finish is provided by smooth PVC accessories with decorative grooves (wall returns, 90° external angles). The unit is fitted into a PVC fixing spacer with aluminium clamp. It is fitted with bactericidal joints.
- Environment: no heavy metals and no substance potentially subjected to any REACH restriction are used in its manufacture, nor PBT/BPA. The calcium-zinc thermal stabilisation process is used. The emission level of volatile substance in inside air has been tested according to ISO 16000-6 and is very low (A+) according to the French regulation (23 March 2011 nr 2011-321 Decree and 19 April 2011 Order). 100% of the product are recyclable.
- Colour: selected by architects from manufacturer's standard range.
- Installation method: upper edge of section 0.90 m max. above floor level. Fixing on PVC spacers to be fitted at 1.20 m centres (0.80 m centres in heavy traffic corridors and on light partitions like plasterboard). Wall returns and external angles fixing with pop rivets.



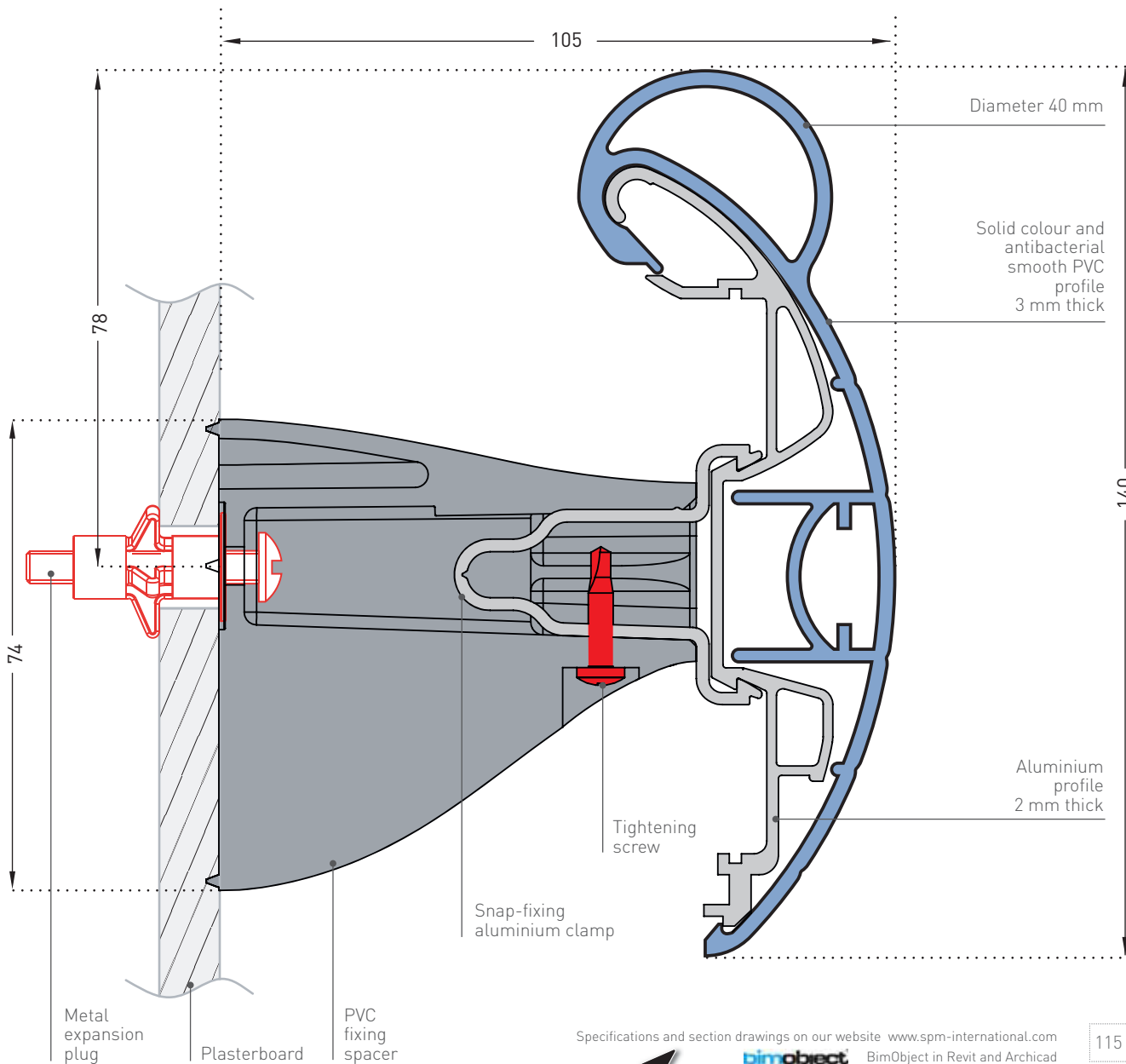


* and 16 colours with a minimum order quantity



DESCRIPTION

- Model: Performer 2 protection handrail
- Height: 140 mm
- Tubular upper part diameter: 40 mm
- Length: 4 m
- Overall projection: 105 mm
- Stand-off from wall: 55 mm
- Material: 3 mm thick antibacterial and Bs2d0 fire-rated PVC, solid colour
- Surface finish: smooth upper handrail, smooth wall protection rail with decorative grooves, bactericidal joint
- Fixing: on PVC spacers to be fitted at 1.20 m centres (0.80 m centres in heavy traffic corridors and on light partitions like plasterboard)
- Colours: 15 standard



HANDRAILS



COMBO'DUO

PROTECTION HANDRAIL - 160 MM HIGH

BACTERICIDAL JOINT

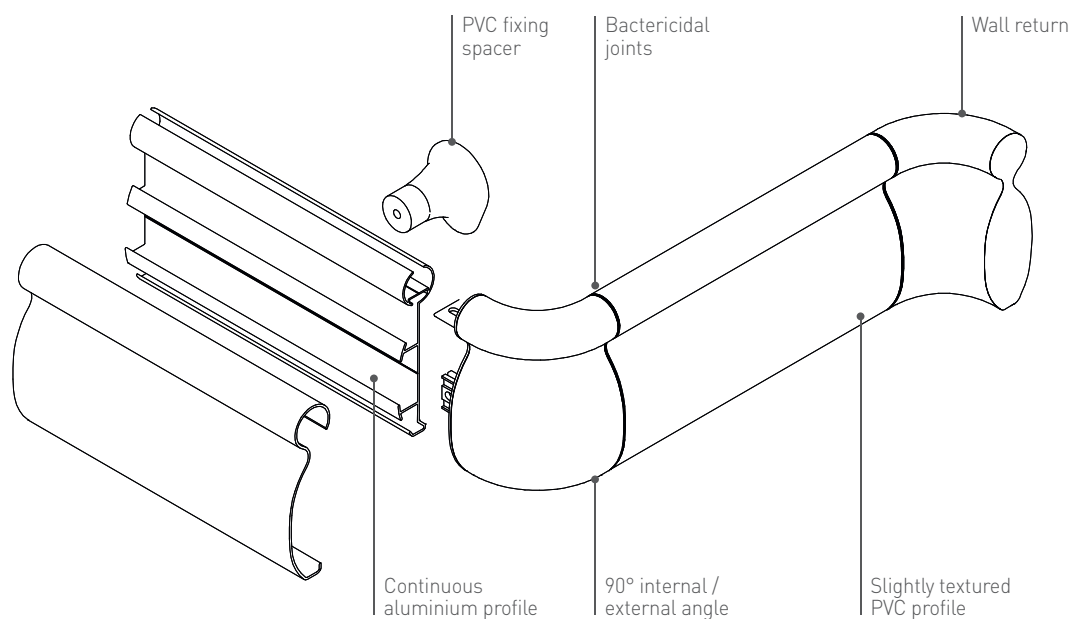
APPLICATIONS

This product combines handrail and protection rail to ensure a maximum efficiency.

Combo'Duo 160 is perfect for hospitals, clinics or re-education centers, and its slightly textured finish helps to conceal the effect of abrasion and gives it a matte finish.

SPECIFICATION

- Description: hand and wall protection rail (Combo'Duo as manufactured by SPM) from 2 mm thick slightly textured (Optimixt grain as manufactured by SPM) and antibacterial PVC achieving Bs2d0 fire rating with solid colour. The 160 mm high system combines a tubular upper part (diameter 38 mm) and a lower wall protection rail slightly textured. The PVC profile snap-fixes onto a continuous aluminium profile and finish is provided by slightly textured PVC accessories (wall returns, 90° internal/external angles). The unit is fitted into a PVC fixing spacer. It is fitted with bactericidal joints.
- Environment: no heavy metals and no substance potentially subjected to any REACH restriction are used in its manufacture, nor PBT/BPA. The calcium-zinc thermal stabilisation process is used. The emission level of volatile substance in inside air has been tested according to ISO 16000-6 and is very low (A+) according to the French regulation (23 March 2011 nr 2011-321 Decree and 19 April 2011 Order). 100% of the product are recyclable.
- Colour: selected by architects from manufacturer's standard range.
- Installation method: upper edge of section 0.90 m max. above floor level. Fixing on PVC spacers to be fitted at 0.80 m centres (0.60 m centres in heavy traffic corridors and on light partitions like plasterboard). Wall returns and angles fixing with self-drilling screws.





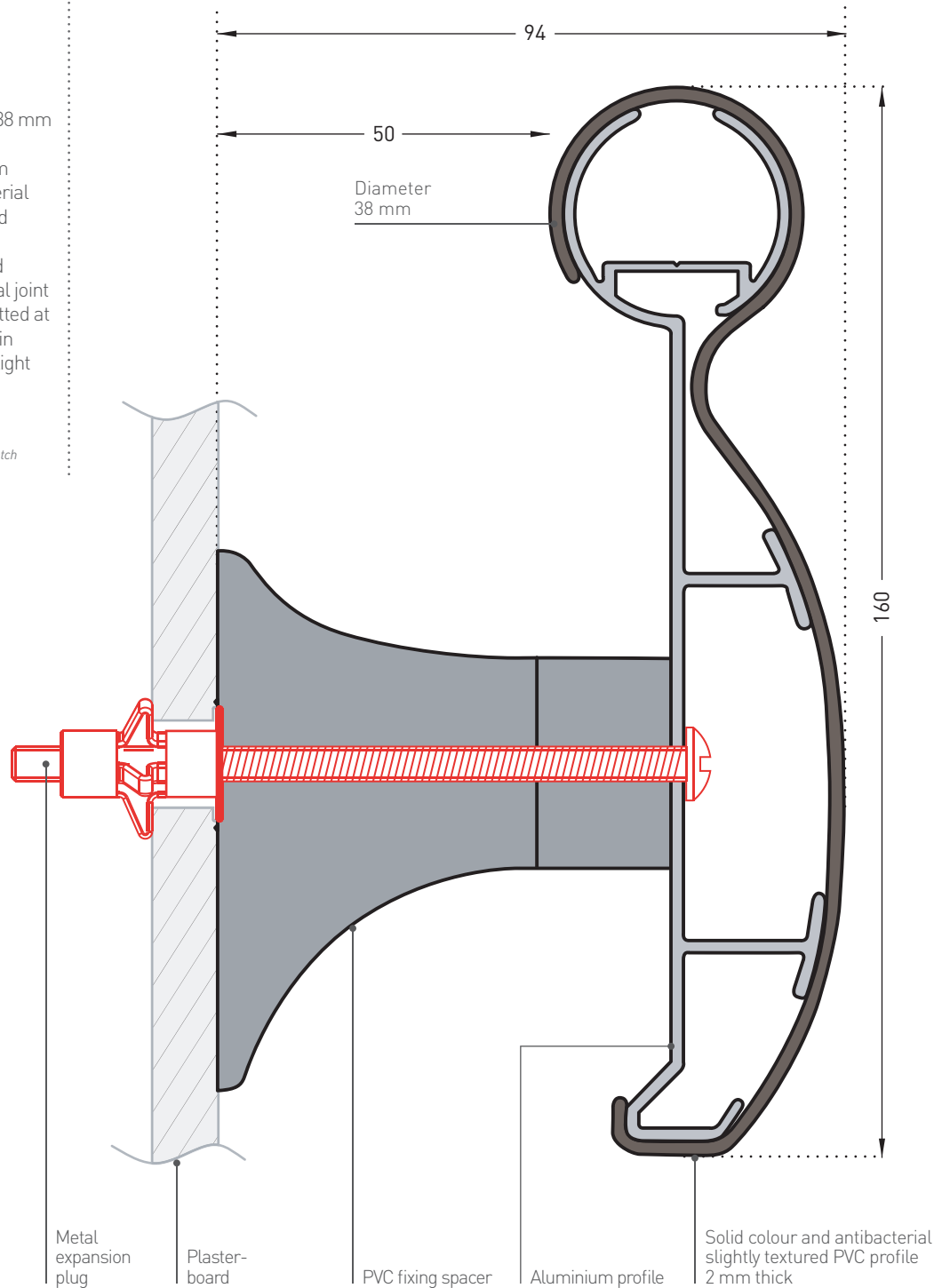
* and 27 colours on request
(Please contact us)



DESCRIPTION

- Model: Combo'Duo protection handrail
- Height: 160 mm
- Length: 4 m
- Tubular upper part diameter: 38 mm
- Overall projection: 94 mm
- Stand-off from the wall: 50 mm
- Material: 2 mm thick antibacterial and Bs2d0 fire-rated PVC, solid colour
- Surface finish: slightly textured («Optimixt» grain*), bactericidal joint
- Fixing: on PVC spacers to be fitted at 0.80 m centres (0.60 m centre in heavy traffic corridors and on light partitions like plasterboard)
- Colours: 4 standard

* «Optimixt» grain: optimal combination of scratch resistance, hygiene and aesthetic.



HANDRAILS





STARLINE - PVC SHEATHED PROTECTION HANDRAIL WITH DECOCHOC PVC BAND 90 MM HIGH

BACTERICIDAL JOINT



APPLICATIONS

A combination of technology and elegant design, the Starline range is the ideal solution for all straight and curved corridor areas in public buildings: hospitals, clinics, retirement homes, hotels, offices.

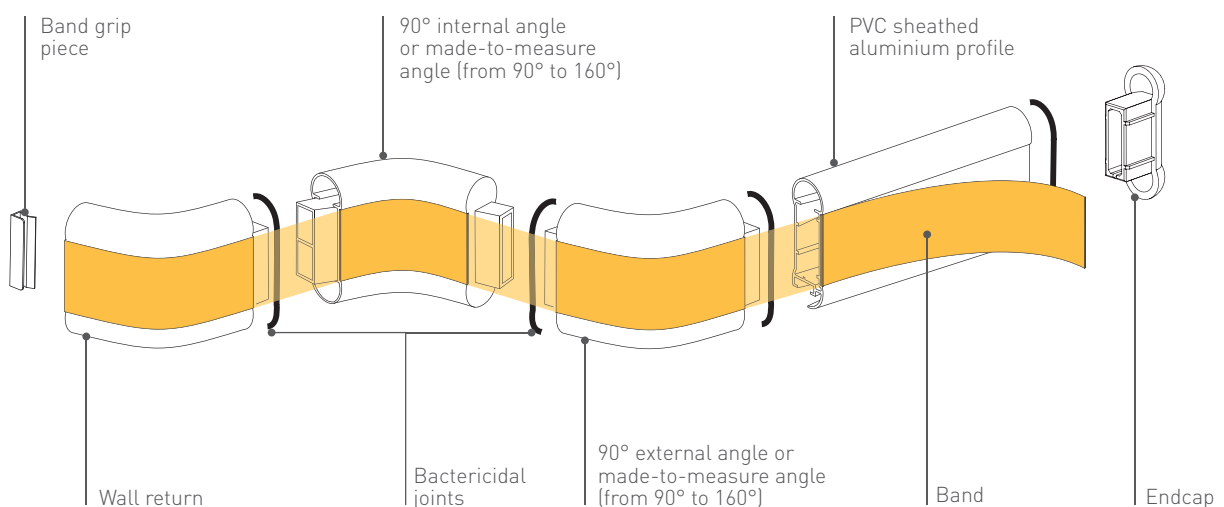
Starline can be bent for curved sections.

A removeable system is available to provide continuation of the handrail in front of service ducts.

It is fitted with bactericidal joints (refer to page 108).

SPECIFICATION

- Description: PVC sheathed protection handrail with a slightly textured PVC band (Starline - PVC sheathed as manufactured by SPM). The height of the handrail is 90 mm, it has an overall projection of 80 mm and a depth of 30 mm. It consists of a 1.5 mm thick continuous aluminium profile covered by a 1.5 mm thick smooth and antibacterial PVC sheath achieving Bs2d0 fire rating with solid colour. It comprises a groove into which satin silver anodised aluminium brackets, 40 mm deep, curved and perforated with 2-point self-locking, slide and lock. Smooth and antibacterial PVC accessories with solid colour (wall returns, 90° internal and external angle pieces or made-to-measure from 90° to 160°, endcaps), are sleeved into the profile. A self-adhesive slightly textured PVC band, 1 mm thick (Decochoc as manufactured by SPM), is bonded over the rail assembly. It is fitted with bactericidal joints and the profile can be curved.
- Environment: no heavy metals and no substance potentially subjected to any REACH restriction are used in its manufacture, nor PBT/BPA. The calcium-zinc thermal stabilisation process is used. The emission level of volatile substance in inside air has been tested according to ISO 16000-6 and is very low (A+) according to the French regulation [23 March 2011 nr 2011-321 Decree and 19 April 2011 Order]. 100% of the product are recyclable.
- Colour: selected by architects from manufacturer's standard range.
- Installation method: upper edge of section 0.90 m max. above floor level. Fixes to 2-point self-locking perforated brackets screwed to the wall at 1.20 m centres (0.80 m centres in heavy traffic corridors and on light partitions like plasterboard). Wall returns, angles and endcaps to be fixed with pop rivets.



80 mm perforated
self-locking aluminium bracket
satin silver anodised

2 profile colours



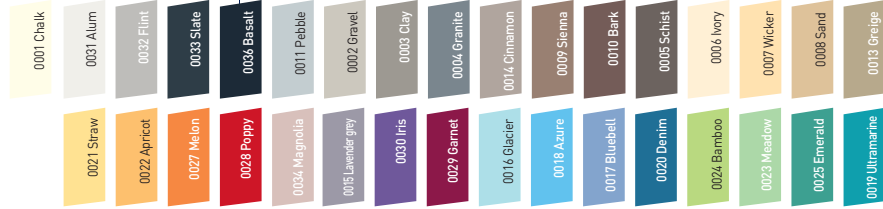
Chalk PVC sheathed



Gravel PVC sheathed

NEW

Starline band // 33 colours

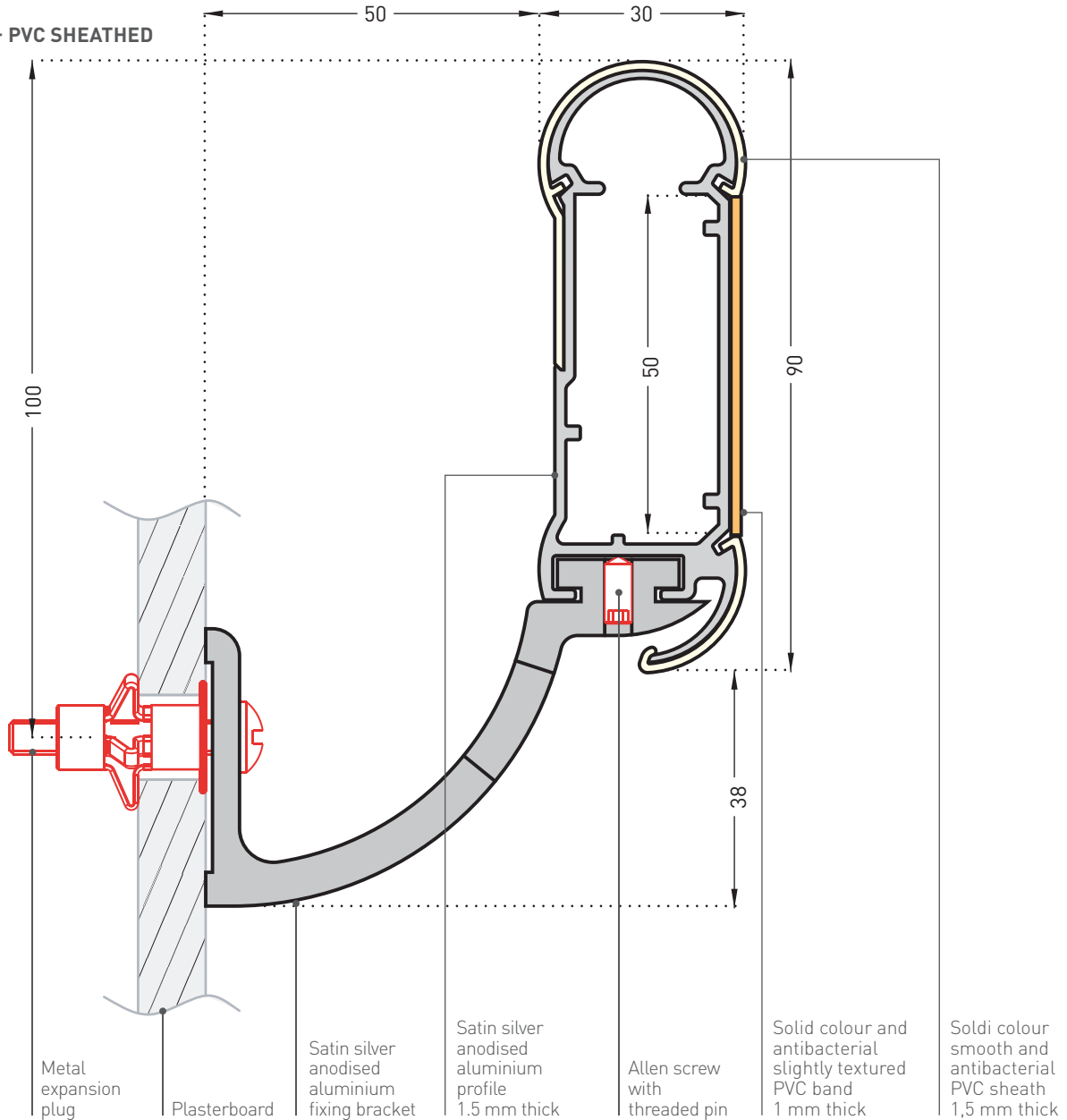


Bs2d0

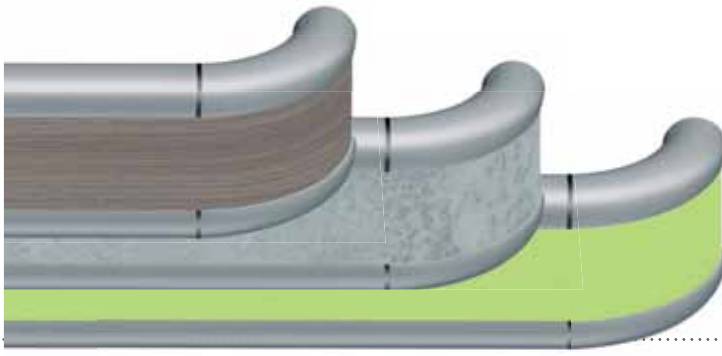
DESCRIPTION

- Model: Starline - PVC sheathed, protection handrail with PVC Decochoc band
- Height: 90 mm
- Depth: 30 mm
- Length: 4 m
- Overall projection: 80 mm
- Stand-off from wall: 50 mm
- Material: aluminium profile with an antibacterial and Bs2d0 fire-rated PVC sheath and a PVC band, bactericidal joint
- Fixing: on 2-point self-locking perforated satin silver anodised aluminium brackets, screwed to wall at 1.20 m centres (0.80 m centres in heavy traffic corridors and on light partitions like plasterboard)
- Colours: - 2 standard for profile
- 33 standard for PVC band

STARLINE - PVC SHEATHED



HANDRAILS



STARLINE - ANODISED

ALUMINIUM HANDRAIL WITH DECOWOOD, DECOTREND OR DECOCHOC BAND - 90 MM HIGH

BACTERICIDAL JOINT

APPLICATIONS

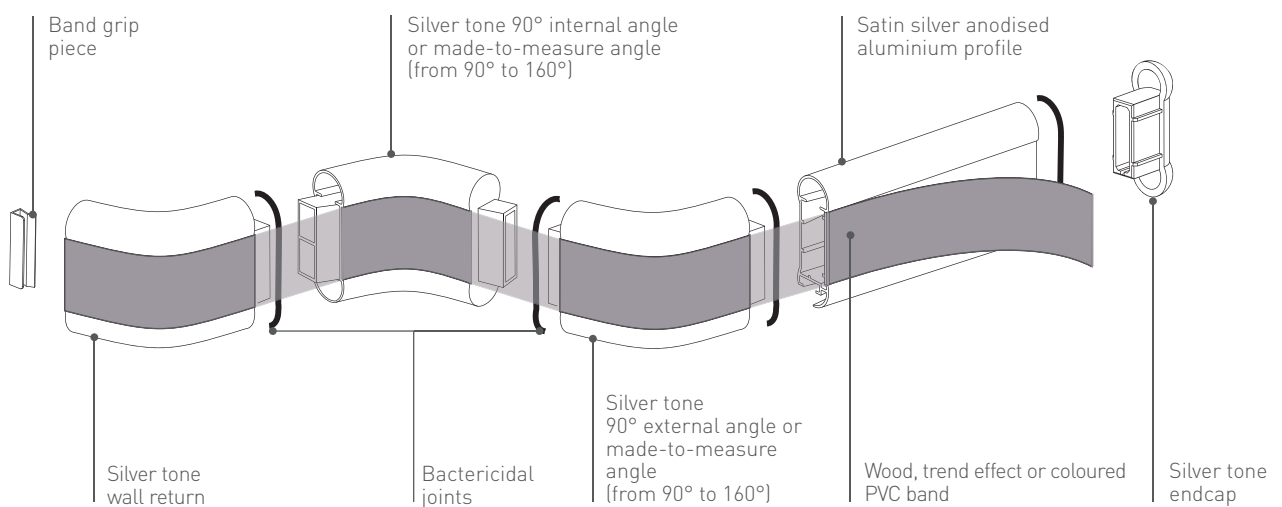
This handrail provides both a good grip and a stylish decorative touch with its wood, trend effect or coloured band. Starline anodised is ideally suited for corridor areas with light traffic of trolleys in public buildings: hospitals, clinics, retirement homes, hotels, offices.

It can be bent for curved sections and a removeable system is available to provide continuation of the handrail in front of service ducts.

It is fitted with bactericidal joints (refer page 108).

SPECIFICATION

- Description: anodised aluminium handrail with a wood, trend or coloured PVC band (Starline – Anodised -Decowood, Decotrend or Decochoc- as manufactured by SPM). The height of the handrail is 90 mm, it has an overall projection of 80 mm and a depth of 30 mm. It consists of a 1.5 mm thick continuous aluminium profile with a groove into which satin silver anodised aluminium brackets, 40 mm deep, curved and perforated with 2-point self-locking, slide and lock. Smooth and antibacterial PVC accessories in silver tone with solid colour (wall returns, 90° internal and external angle pieces or made-to-measure from 90° to 160°, endcaps), are sleeved into the profile. A self-adhesive PVC band, 1 mm thick, wood, trend or coloured (Decowood, Decotrend or Decochoc as manufactured by SPM), is bonded over the rail assembly. It is fitted with bactericidal joints and the profile can be curved.
- Environment: no heavy metals and no substance potentially subjected to any REACH restriction are used in its manufacture, nor PBT/BPA. The calcium-zinc thermal stabilisation process is used. The emission level of volatile substance in inside air has been tested according to ISO 16000-6 and is very low (A+) according to the French regulation (23 March 2011 nr 2011-321 Decree and 19 April 2011 Order). 100% of the product are recyclable.
- Colour: selected by architects from manufacturer's standard range.
- Installation method: upper edge of section 0.90 m max. above floor level. Fixes to 2-point self-locking perforated brackets screwed to the wall at 1.20 m centres (0.80 m centres in heavy traffic corridors and on light partitions like plasterboard). Wall returns, angles and endcaps to be fixed with pop rivets.

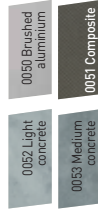


80 mm perforated
self-locking aluminium bracket
satin silver anodised

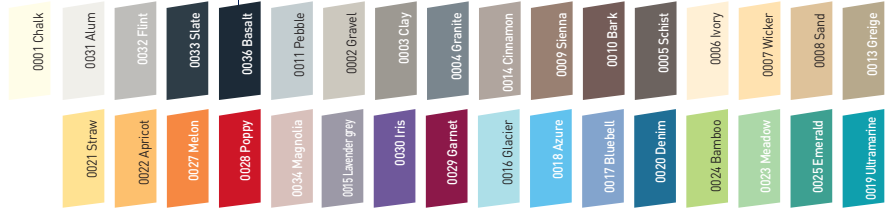
Starline band
Decowood
// 7 wood effect decors



Starline band
Decotrend
// 4 trend effect decors



NEW

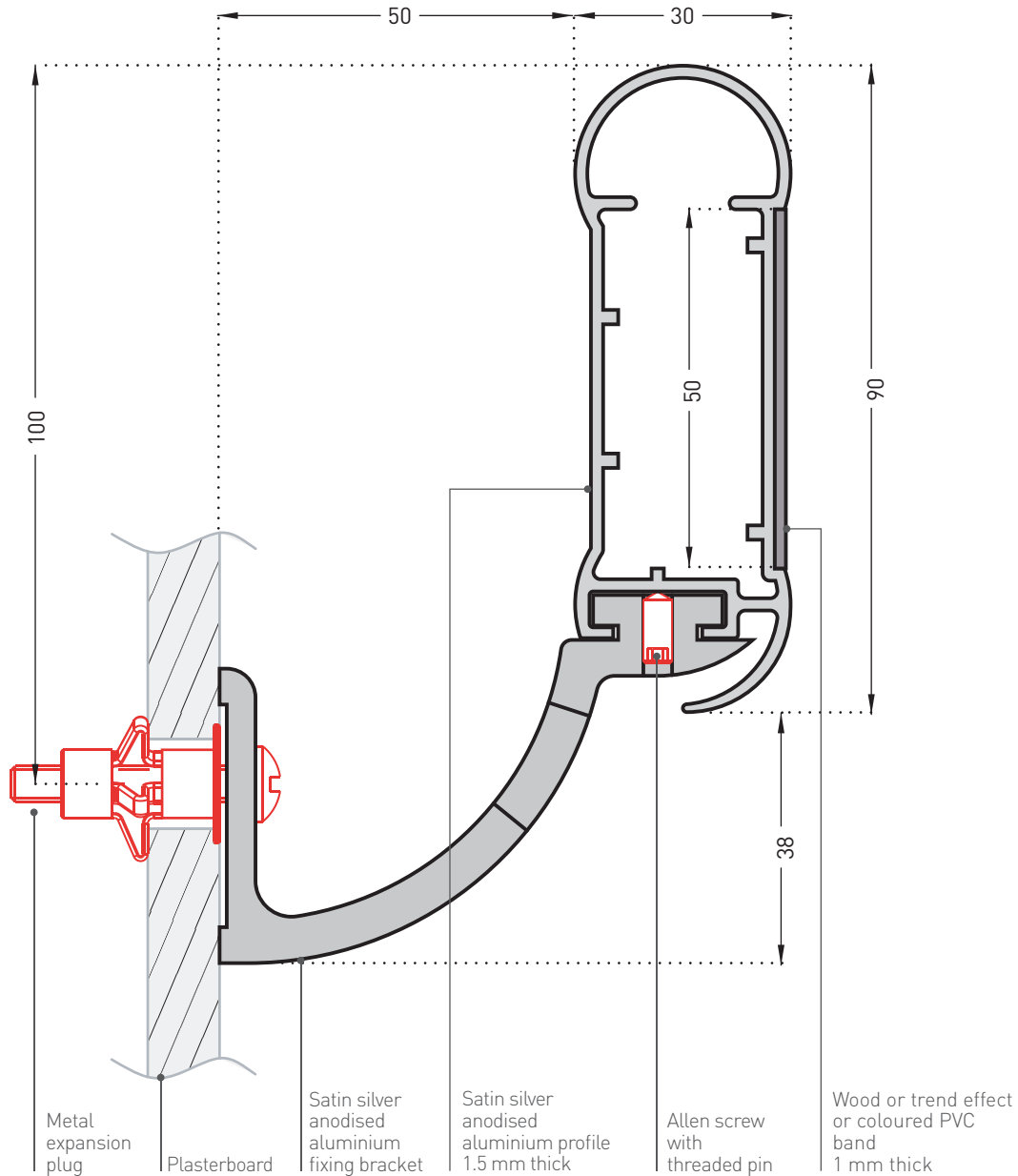


Starline band
Decochoc
// 33 colours



DESCRIPTION

- Model: Starline - Anodised aluminium handrail with wood or trend effect or coloured PVC band
- Height: 90 mm
- Depth: 30 mm
- Length: 4 m
- Overall projection: 80 mm
- Stand-off from wall: 50 mm
- Material: satin silver anodised aluminium profile with wood or trend effect or coloured PVC band, Bs2d0 fire rated, bactericidal joint
- Fixing: on 2-point self-locking perforated satin silver anodised aluminium brackets, screwed to wall at 1.20 m centres (0.80 m centres in heavy traffic corridors and on light partitions like plasterboard)
- Colours for the band:
 - 7 standard wood decors
 - 4 standard trend decor
 - 33 standard colours



HANDRAILS



LINEA'TOUCH - PVC SHEATHED TRILOBED HANDRAILS - 40 MM WIDTH

BACTERICIDAL JOINT



APPLICATIONS

Developed with the help of architects and designers, the Linea'Touch handrail combines design, ergonomics and extreme impact resistance.

Its exclusive trilobed shape, validated by ergonomists, provides an excellent grip while protecting the walls effectively and discreetly.

Thanks to its large choice of accessories and colours for endless combinations, Linea'Touch handrail is also available in a reinforced version in order to offer an unity of design throughout the building, whatever the level of protection required.

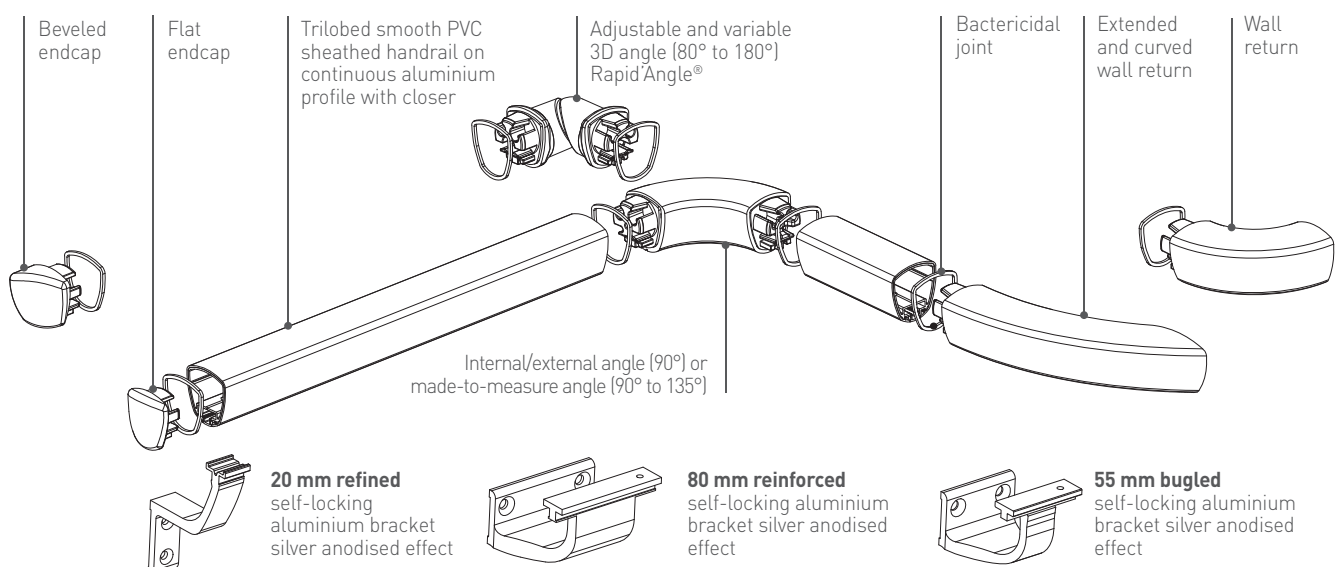
Linea'Touch can be used in all public areas, delivering aesthetic harmony from light to heavy traffic areas: hospitals, clinics, retirement homes, hotels, public buildings, offices.

It can be bent and provides various technical solutions for continuity in staircases and in front of service ducts.

It is fitted with bactericidal joints (refer to page 108).

SPECIFICATION

- Description: trilobed handrail with antibacterial PVC sheath (Linea'Touch or Linea'Touch+ - PVC sheathed as manufactured by SPM) with a cross section from 28 to 40 mm to give it an ergonomic and anti-rotation design. It is 42 mm high and projects 80 mm from the wall (or 90 mm on request). It consists of a 2 mm thick continuous aluminium profile, or a 5 mm one for the reinforced version, covered by a 2 mm thick smooth and antibacterial, PVC sheath, achieving Bs2d0 fire-rating with solid colour, and a closer underneath. A protective film is specified to minimise cleaning before acceptance. The section comprises a groove into which brackets and closer slide and lock. Wall fixing is by silver anodised effect aluminium brackets with 2-point self-locking: 20 mm wide refined bracket or 55 mm wide bugled bracket (for Linea'Touch) or 80 mm wide reinforced bracket (for the reinforced Linea'Touch+). The axial position of the brackets provides an excellent guiding. Various smooth and antibacterial PVC accessories with solid colour (flat or beveled endcaps, classic or extended and curved wall returns), supplied with bactericidal joints, are available to finish the handrail assembly and are sleeved into the profile. All technical solutions are available to ensure continuity around corners (90° or made-to-measure), in staircases (3-way "universal joint" rotation angle -Rapid'Angle® as manufactured by SPM), across service ducts (quick removable assembly wedge) and around curved sections (pre-curved in the factory). These handrails achieve an impact resistance in excess of 70 Joules -i.e. an impact of more than 220 kg travelling at 2 kmh- (for Linea'Touch) and of 110 Joules -i.e. an impact of more than 320 kg travelling at 2 kmh- (for the reinforced version Linea'Touch+).
- Environment: no heavy metals and no substance potentially subjected to any REACH restriction are used in its manufacture, nor PBT/BPA. The calcium-zinc thermal stabilisation process is used. The emission level of volatile substance in inside air has been tested according to ISO 16000-6 and is very low (A+) according to the French regulation (23 March 2011 nr 2011-321 Decree and 19 April 2011 Order). 100% of the product are recyclable.
- Colour: selected by architects from manufacturer's standard range.
- Installation method: upper edge of section 0.90 m max. above floor level. Fixes to 2-point self-locking aluminium brackets screwed to the wall at 1.20 m centres (0.80 m centres in heavy traffic corridors and on light partitions like plasterboard). Wall returns, endcaps and angles to be fixed with 2.5 mm Allen clamping screws.

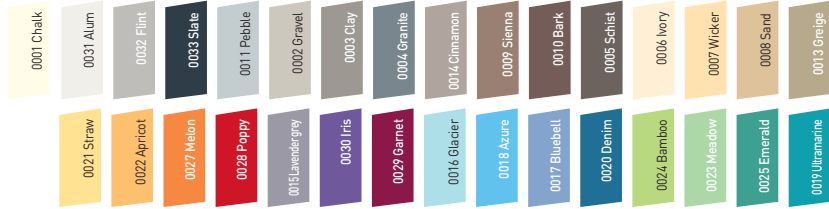


NEW



Available in LED option (consult us)

LineaTouch - PVC Sheathed // 31 colours

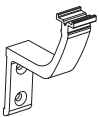


DESCRIPTION

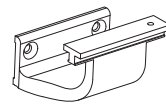
- Model: LineaTouch or LineaTouch+ (reinforced version) - PVC sheathed - trilobed handrail
- Cross section: height 42 mm x width 40 mm
- Length: 4 m
- Overall Projection: 80 mm (90 mm on request)
- Stand-off from wall: 40 mm (50 mm on request)
- Material: antibacterial and Bs2d0 fire-rated PVC, solid colour, on continuous aluminium profile, bactericidal joint
- Fixing: on refined, bugled or reinforced,
- 2 point self-locking aluminium brackets, silver anodised effect, screwed to the wall every 1.20 m (0.80 m centres in heavy traffic areas and on light partitions like plasterboard.)
- Colours: 31 standard

LINEATOUCH

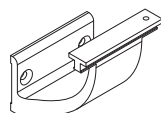
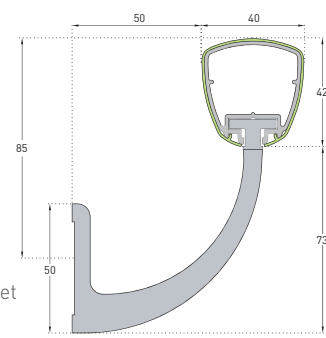
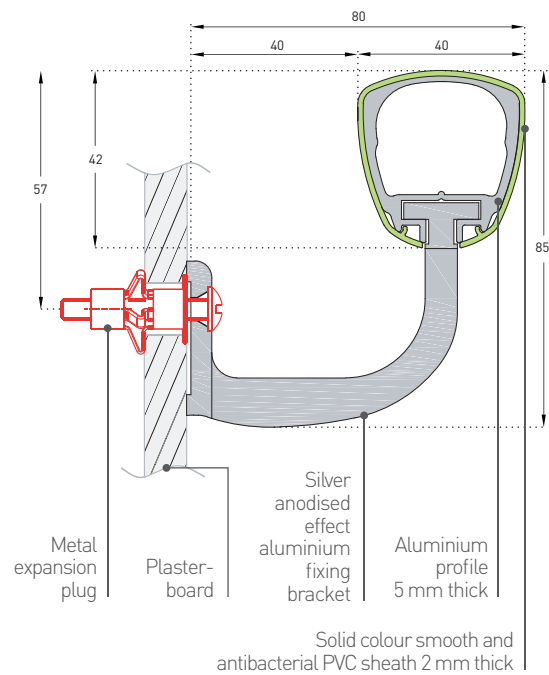
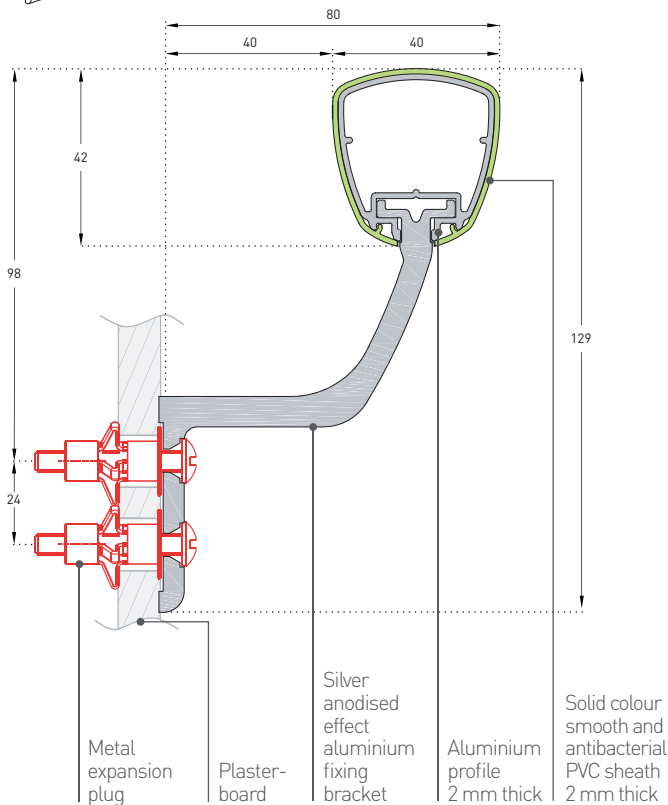
LINEATOUCH + REINFORCED VERSION



20 mm refined
self-locking aluminium bracket
silver anodised effect
(overall projection 80 mm)

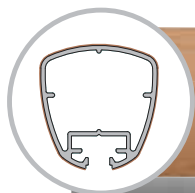


80 mm reinforced
self-locking aluminium bracket
silver anodised effect
(overall projection 80 mm)



80 mm reinforced
self-locking aluminium bracket
silver anodised effect
(overall projection 90 mm)

HANDRAILS



LINEA'TOUCH - DECOWOOD & ANODISED TRILOBED HANDRAILS - 40 MM WIDTH

BACTERICIDAL JOINT

APPLICATIONS

With a wood effect or satin silver anodised aluminium finish, the Linea'Touch handrails combine design, ergonomics and elegance. Their exclusive trilobed shape, validated by ergonomists, provides an excellent grip discreetly.

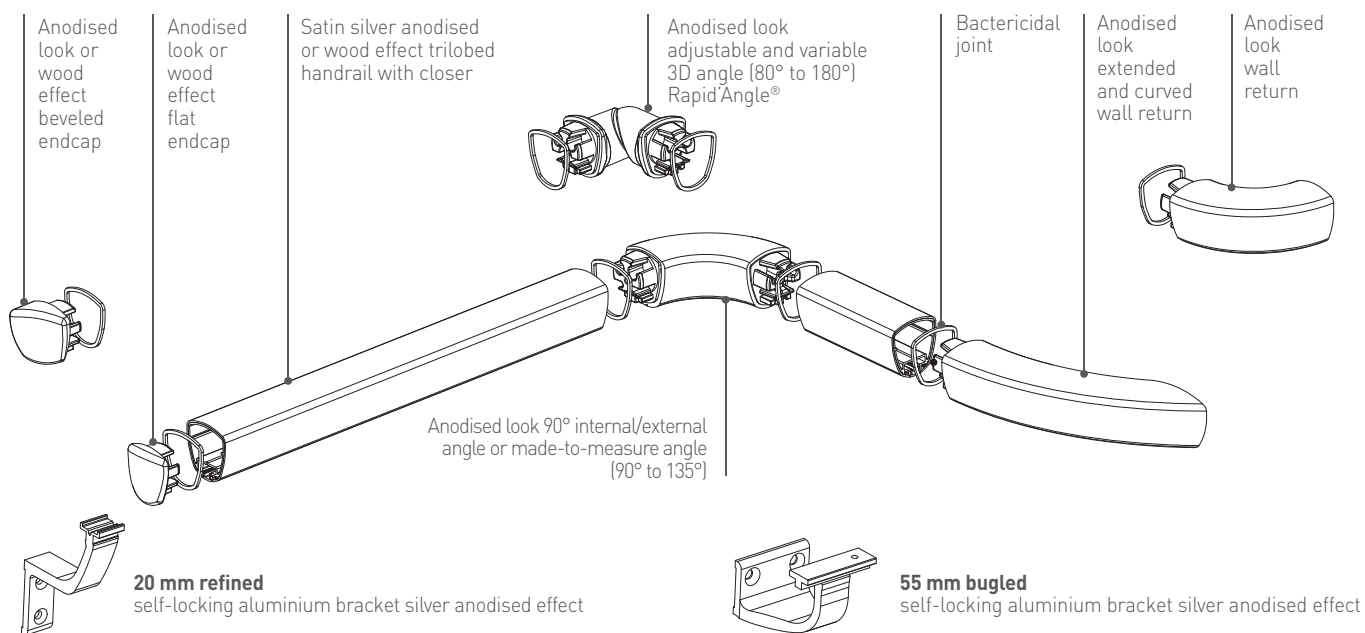
Thanks to their large choice of accessories, they fit into all insides of buildings open to the public with light traffic: corridors and staircases in retirement homes, schools, hotels, apartment blocks, public buildings, offices.

They can be bent and provide various technical solutions for continuity in staircases and in front of service ducts.

They are fitted with bactericidal joints (refer page 108).

SPECIFICATION

- Description: trilobed wood effect handrail (Linea'Touch - Decowood as manufactured by SPM) or satin silver anodised aluminium handrail (Linea'Touch - Anodised as manufactured by SPM) with a cross section from 28 to 40 mm to give it an ergonomic and anti-rotation design. It is 42 mm high and projects 80 mm from the wall (or 90 mm on request). It consists of a 2 mm thick satin silver anodised aluminium profile (Linea'Touch - Anodised) or of a 2 mm aluminium profile covered with wood effect PVC film (Linea'Touch - Decowood) and a closer underneath. The section comprises a groove into which brackets and closer slide and lock. Wall fixing is by silver anodised effect aluminium brackets with 2-point self-locking: 20 mm wide refined bracket or 55 mm wide bugled bracket. The axial position of the brackets provides an excellent guiding. Various smooth and antibacterial PVC accessories with solid colour (flat or beveled endcaps, classic or extended and curved wall returns), supplied with bactericidal joints, are available in anodised look to finish the handrail assembly and are sleeved into the profile. All technical solutions are available to ensure continuity around corners (90° or made-to-measure), in staircases (3-way "universal joint" rotation angle -Rapid'Angle® as manufactured by SPM), across service ducts (quick removable assembly wedge) and around curved sections (pre-curved in the factory). These handrails achieve an impact resistance in excess of 70 Joules, i.e., an impact of more than 220 kg travelling at 2 kmh.
- Environment: no heavy metals and no substance potentially subjected to any REACH restriction are used in its manufacture, nor PBT/ BPA. The calcium-zinc thermal stabilisation process is used. The emission level of volatile substance in inside air has been tested according to ISO 16000-6 and is very low (A+) according to the French regulation (23 March 2011 nr 2011-321 Decree and 19 April 2011 Order). 100% of the product are recyclable.
- Colour: selected by architects from manufacturer's standard range.
- Installation method: upper edge of section 0.90 m max. above floor level. Fixes to 2-point self-locking aluminium brackets screwed to the wall at 1.20 m centres (0.80 m centres in heavy traffic corridors and on light partitions like plasterboard). Wall returns, endcaps and angles to be fixed with 2.5 mm Allen clamping screws.



NEW



Available in LED option (consult us)

Linea' Touch - Decowood
// 6 wood effect decors

Linea' Touch Anodised



VALIDATED BY
ERGONOMISTS

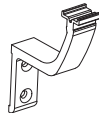


LINEA'TOUCH
DECOWOOD & ANODISED

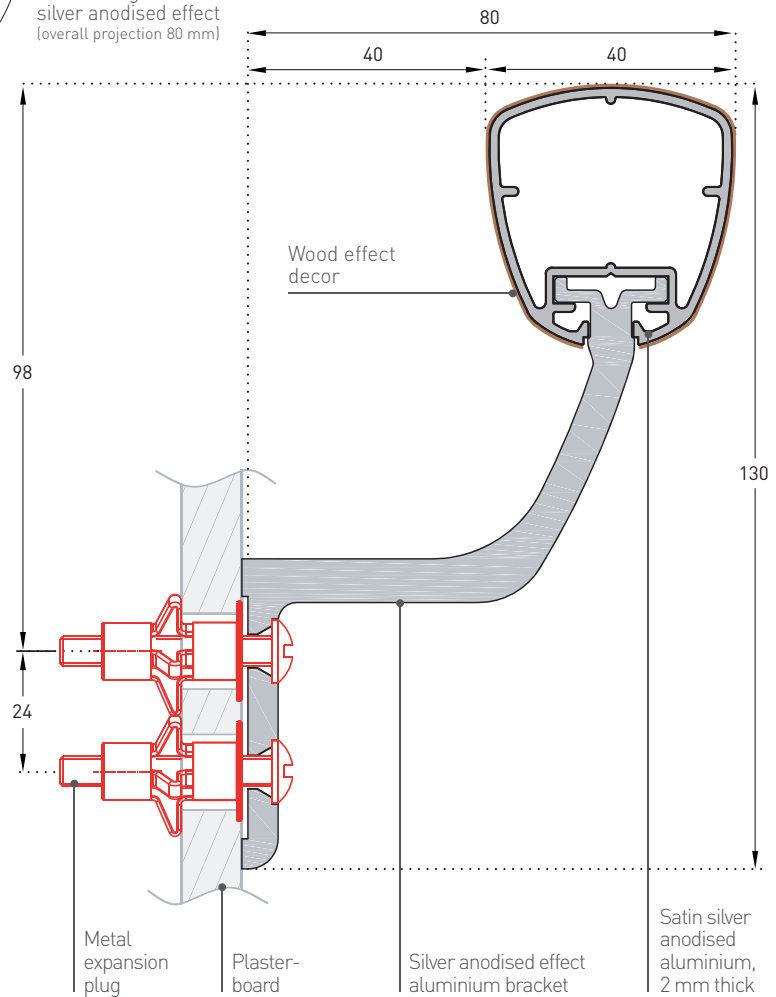


DESCRIPTION

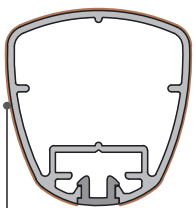
- Model: Linea' Touch - Decowood or Anodised - trilobed handrail
- Cross section: height 42 mm x width 40 mm
- Length: 4 m
- Overall projection: 80 mm (90 mm on request)
- Stand-off from wall: 40 mm (50 mm on request)
- Material: 10 micron satin silver anodised aluminium or wood effect PVC, bactericidal joint
- Fixing: on refined or bugled 2-point self-locking refined aluminium brackets, silver anodised effect screwed to wall at 1.20 m centres (0.80 m centres in heavy traffic corridors and on light partitions like plasterboard)
- Colours:
 - 6 wood effect standard decors for Linea' Touch - Decowood
 - satin silver anodised for Linea' Touch - Anodised



Support épuré 20 mm
self-locking aluminium bracket
silver anodised effect
(overall projection 80 mm)

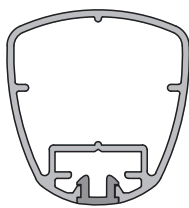


**LINEA'TOUCH
DECOWOOD**

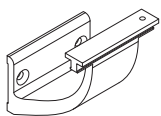


Wood effect decor

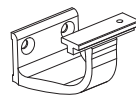
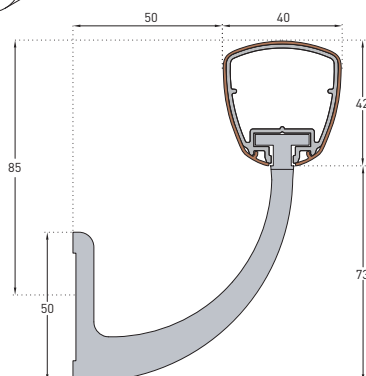
**LINEA'TOUCH
ANODISED**



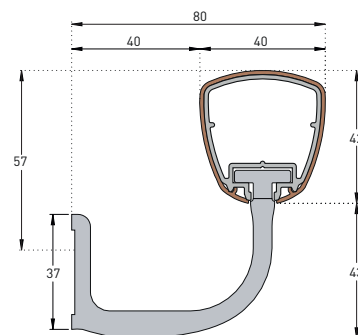
HANDRAILS



80 mm reinforced
self-locking aluminium bracket
silver anodised effect
(overall projection 90 mm)



55 mm bugled
self-locking aluminium bracket
silver anodised effect
(overall projection 80 mm)





ESCORT - PVC SHEATHED ROUND HANDRAIL - DIAMETER 40 MM

BACTERICIDAL JOINT



APPLICATIONS

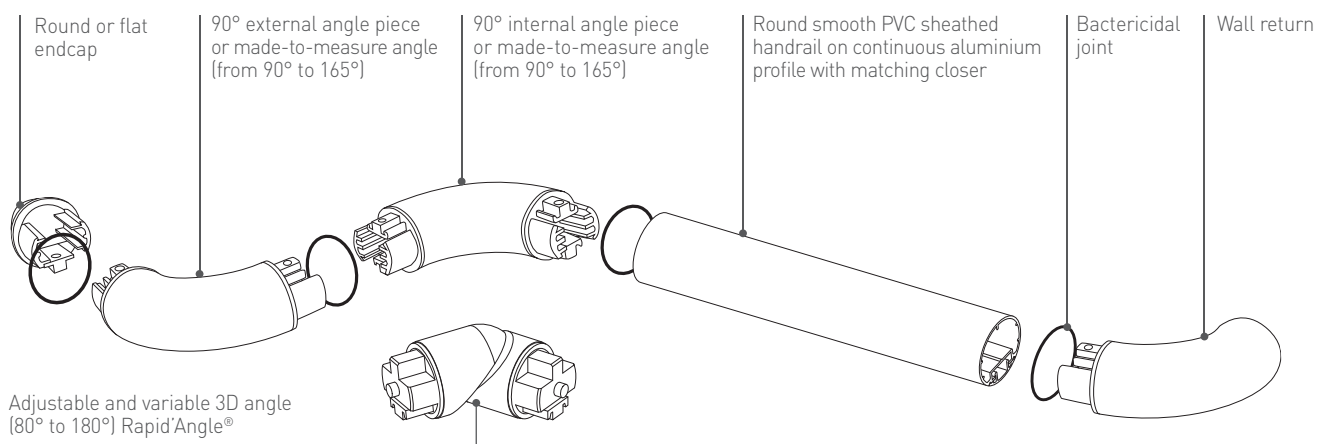
Escort is designed to provide a high quality grip and classic look. Highly appreciated by mobility-impaired persons for its perfect roundness and pleasant feel, Escort is ideal for all corridors and stairways in retirement homes, hospitals, clinics, rehabilitation centres, collective housing.

Escort can be bent for curved sections and a removeable system is available to provide continuation of the handrail in front of service ducts.

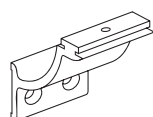
It is fitted with bactericidal joints (refer page 108).

SPECIFICATION

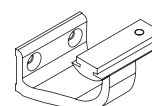
- Description: round handrail with antibacterial PVC sheath (Escort - PVC sheathed as manufactured by SPM) with a diameter of 40 mm and an overall projection and height of 80 mm. It consists of a 1.5 mm thick continuous aluminium profile covered by a 1.5 mm thick smooth and antibacterial PVC sheath achieving Bs2d0 fire rating with solid colour, and a matching closer underneath. A protective film is specified to minimise cleaning before acceptance. The section comprises a groove into which brackets and matching closer slide and lock. Wall fixing is by 40 mm deep satin silver anodised aluminium brackets with 2-point self-locking: curved and perforated (80 mm wide), curved and full (60 mm wide) or bugled (55 mm wide). Various smooth and antibacterial PVC accessories with solid colour (round or flat endcaps, external and internal 90° angle pieces or made-to-measure from 90 to 165°, wall returns), supplied with bactericidal joints, are available to finish the handrail assembly and are sleeved into the profile. All technical solutions are available to ensure continuity around corners (90° or made-to-measure), in staircases (slope link or 3-way "universal joint" rotation angle -Rapid'Angle® as manufactured by SPM-), across service ducts (quick removable assembly wedge or articulated link -Rapid'Access® as manufactured by SPM-) and around curved sections (pre-curved in the factory).
- Environment: no heavy metals and no substance potentially subjected to any REACH restriction are used in its manufacture, nor PBT/BPA. The calcium-zinc thermal stabilisation process is used. The emission level of volatile substance in inside air has been tested according to ISO 16000-6 and is very low (A+) according to the French regulation (23 March 2011 nr 2011-321 Decree and 19 April 2011 Order). 100% of the product are recyclable.
- Colour: selected by architects from manufacturer's standard range.
- Installation method: upper edge of section 0.90 m max. above floor level. Fixes to 2-point self-locking aluminium brackets screwed to the wall at 1.20 m centres (0.80 m centres in heavy traffic corridors and on light partitions like plasterboard). Wall returns, endcaps and angles to be fixed with 2.5 mm Allen clamping screws.



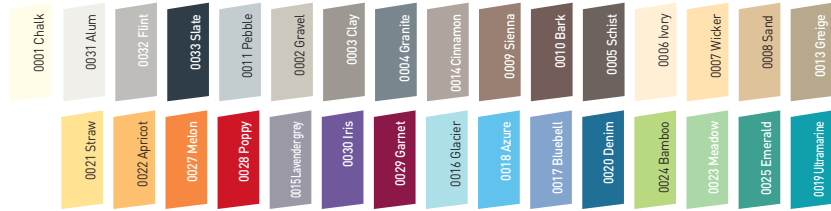
80 mm perforated
self-locking aluminium bracket
satin silver anodised



60 mm full
self-locking aluminium bracket
satin silver anodised

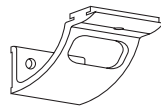
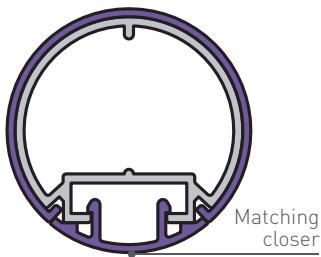


55 mm bugled
self-locking aluminium bracket
satin silver anodised

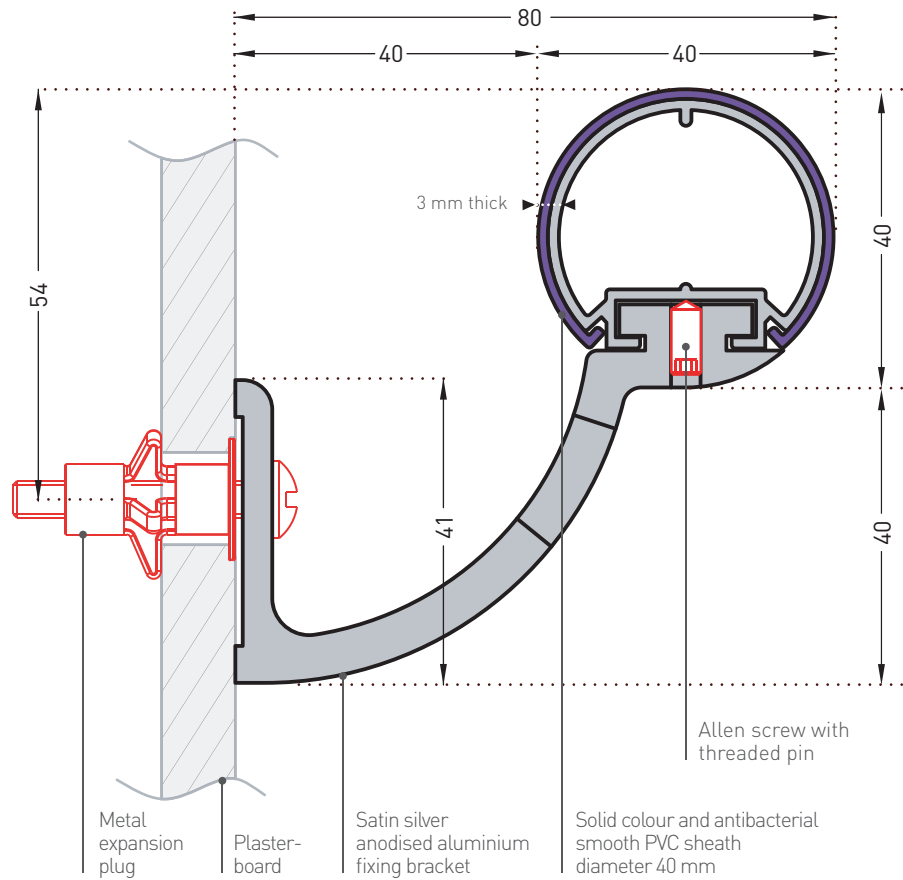


DESCRIPTION

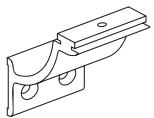
- Model: Escort - PVC sheathed - round handrail
- Diameter: 40 mm
- Length: 4 m
- Overall projection: 80 mm (or 90 mm on request)
- Stand-off from wall: 40 mm (or 50 mm on request)
- Material: antibacterial and Bs2d0 fire-rated PVC, solid colour, on continuous aluminium profile, bactericidal joint
- Fixing: on 2-point self-locking brackets, satin silver anodised aluminium, screwed to wall at 1.20 m centres (0.80 m centres in heavy traffic areas and on light partitions like plasterboard)
- Colours: 31 standard



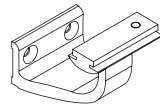
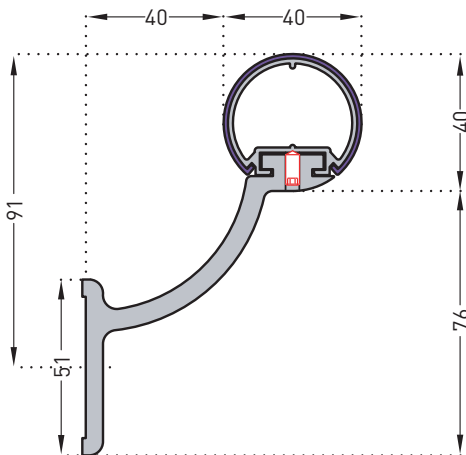
80 mm perforated
self-locking aluminium bracket satin silver anodised
(overall projection 80 mm)



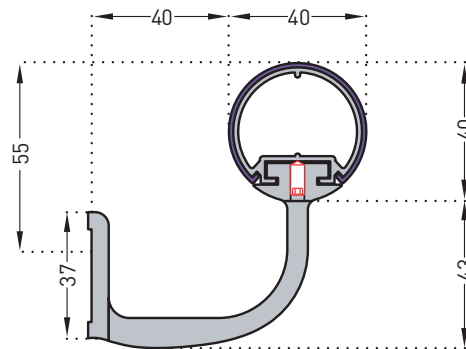
HANDRAILS

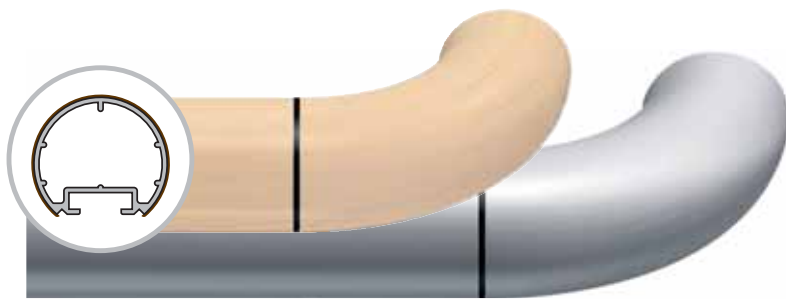


60 mm full
self-locking aluminium bracket
satin silver anodised
(overall projection 80 mm)



55 mm bugled
self-locking aluminium bracket
satin silver anodised
(overall projection 80 mm)





ESCORT - DECOWOOD & ANODISED ROUND HANDRAILS - DIAMETER 40 MM

BACTERICIDAL JOINT

APPLICATIONS

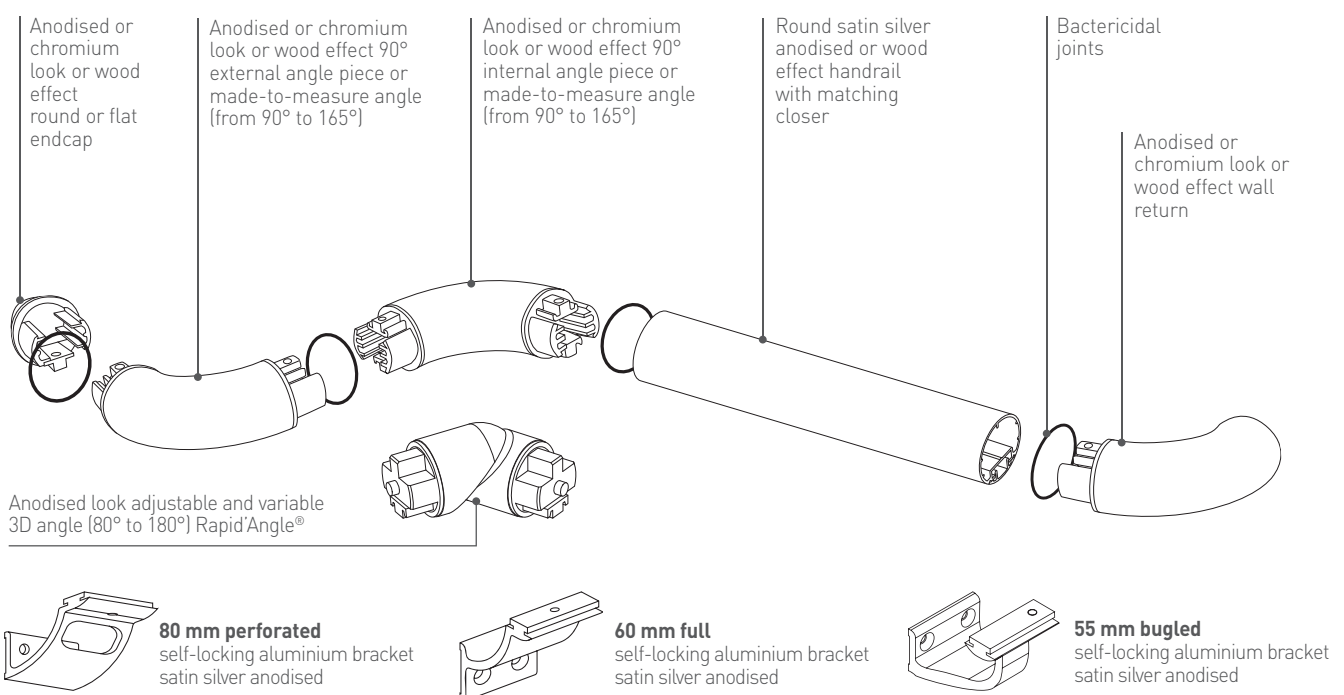
Particularly elegant handrails with a wood effect or satin silver anodised aluminium finish and curved, unobtrusive brackets. They are ideal for all buildings open to the public: corridors and stairways in retirement homes, schools, hotels, residential apartment buildings, offices, etc.

Escort can be bent for curved sections. A removeable system is available to provide continuation of the handrail in front of service ducts.

They are fitted with bactericidal joints (refer to page 108).

SPECIFICATION

- Description: round wood effect handrail (Escort – Decowood as manufactured by SPM) or satin silver anodised aluminium (Escort – Anodised as manufactured by SPM) with a diameter of 40 mm and an overall projection and height of 80 mm. It consists of a 1.5 mm thick continuous aluminium profile and a matching closer underneath. The section comprises a groove into which brackets and matching closer slide and lock. Wall fixing is by 40 mm deep satin silver anodised aluminium brackets with 2-point self-locking: curved and perforated (80 mm wide), curved and full (60 mm wide) or bugled (55 mm wide). Various smooth and antibacterial PVC accessories (round or flat endcaps, external and internal 90° angle pieces or made-to-measure from 90 to 165°, wall returns), supplied with bactericidal joints, are available in wood effect or anodised look or chromium look to finish the handrail assembly and are sleeved into the profile. All technical solutions are available to ensure continuity around corners (90° or made-to-measure), in staircases (slope link or 3-way “universal joint” rotation angle –Rapid’Angle® as manufactured by SPM-), across service ducts (quick removable assembly wedge or articulated link –Rapid’Access® as manufactured by SPM-) and around curved sections (pre-curved in the factory).
- Environment: no heavy metals and no substance potentially subjected to any REACH restriction are used in its manufacture, nor PBT/BPA. The calcium-zinc thermal stabilisation process is used. The emission level of volatile substance in inside air has been tested according to ISO 16000-6 and is very low (A+) according to the French regulation (23 March 2011 nr 2011-321 Decree and 19 April 2011 Order). 100% of the product are recyclable.
- Colour: selected by architects from manufacturer’s standard range.
- Installation method: upper edge of section 0.90 m max. above floor level. Fixes to 2-point self-locking aluminium brackets screwed to the wall at 1.20 m centres (0.80 m centres in heavy traffic corridors and on light partitions like plasterboard). Wall returns, endcaps and angles to be fixed with 2.5 mm Allen clamping screws.



Escort-Decowood
// 3 finishes for accessories

Escort-Decowood
// 6 wood effect decors

Escort
Anodised

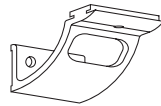


ESCORT
DECOWOOD & ANODISED

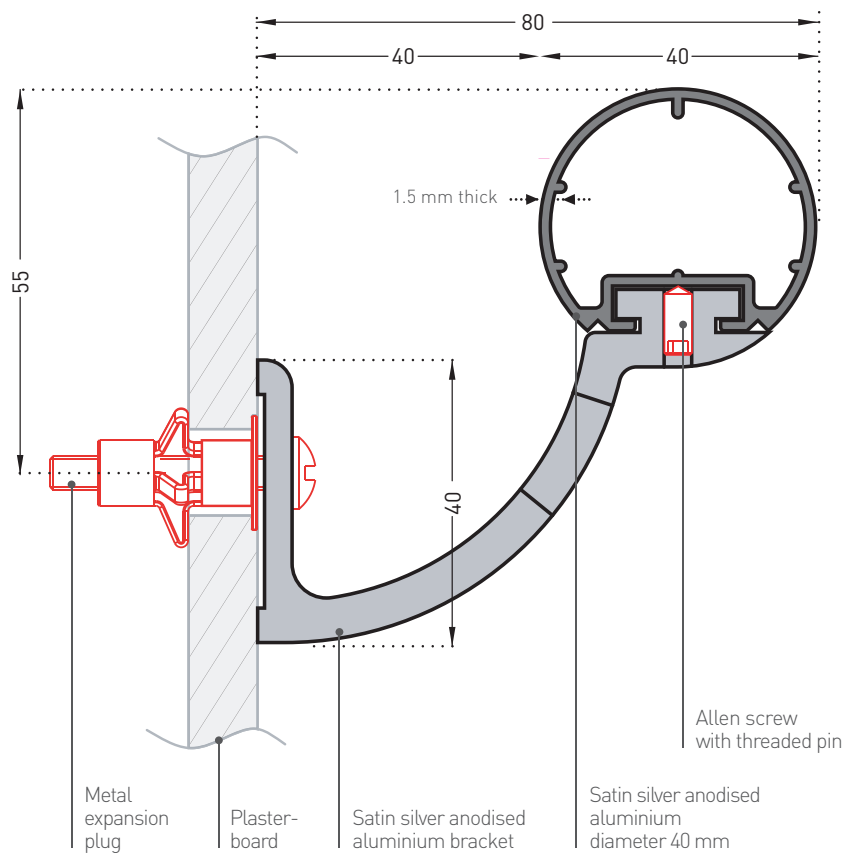


DESCRIPTION

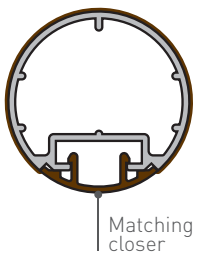
- Model: Escort - Decowood or Escort - Anodised round handrail
- Diameter: 40 mm
- Length: 4 m
- Overall projection: 80 mm (or 90 mm on request)
- Stand-off from wall: 40 mm (or 50 mm on request)
- Material: 10 micron satin silver anodised aluminium or wood effect PVC, bactericidal joint
- Fixing: on 2-point bactericidal joint self-locking brackets, satin silver anodised aluminium, screwed to wall at 1.20 m centres (0.80 m centres in heavy traffic corridors and on light partitions like plasterboard)
- Colours:
 - 6 wood effect standard decors for Escort - Decowood
 - satin silver anodised for Escort - Anodised - coating on request.



80 mm perforated
self-locking aluminium bracket satin silver anodised
(overall projection 80 mm)

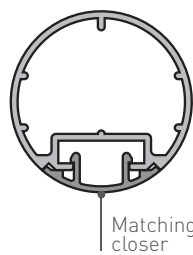


**ESCORT
DECOWOOD**

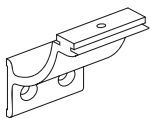


Matching closer

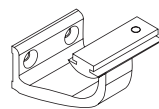
**ESCORT
ANODISED**



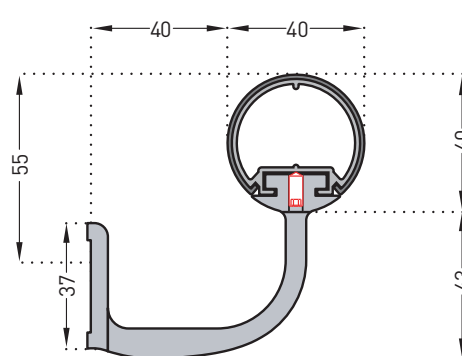
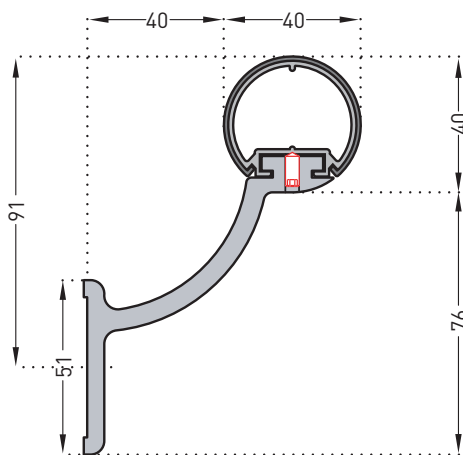
Matching closer



60 mm full
self-locking aluminium bracket
satin silver anodised
(overall projection 80 mm)



55 mm bugled
self-locking aluminium bracket
satin silver anodised
(overall projection 80 mm)



Specifications and section drawings on our website www.spm-international.com



BimObject in Revit and Archicad

SPECIFIC PROTECTION

INDUSTRIAL PROTECTION



ELASTO'FLEX 100V p.131
Variable angle corner protector



ELASTO'PUNCH 200E p.132
Wall protection rail
Height 200 mm



ELASTO'PUNCH 100D p.133
Wall protection rail
Height 100 mm



INDIVIDUAL PROTECTION



SAFY'CORNER p.134
90° adhesive cushioning corner protector



SAFY'DOOR p.135
Door finger protection system



	CODE	DESCRIPTION	MATERIAL	COLOUR RANGE
ELASTO'FLEX 100V		Variable angle corner protector	Thermoplastic elastomer	1 colour
ELASTO'PUNCH 200E		Wall protection rail	Thermoplastic elastomer	1 colour
ELASTO'PUNCH 100D		Wall protection rail	Thermoplastic elastomer	1 colour
SAFY'CORNER		90° adhesive cushioning corner protector	Elastomer	4 colours
SAFY'DOOR	-	Door finger protection system	Elastomer	4 colours



Elasto'Flex 100V // 1 colour



ELASTO'FLEX 100V

VARIABLE ANGLE CORNER PROTECTOR



APPLICATIONS

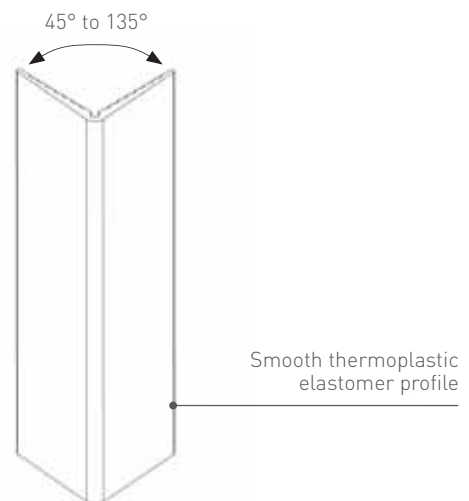
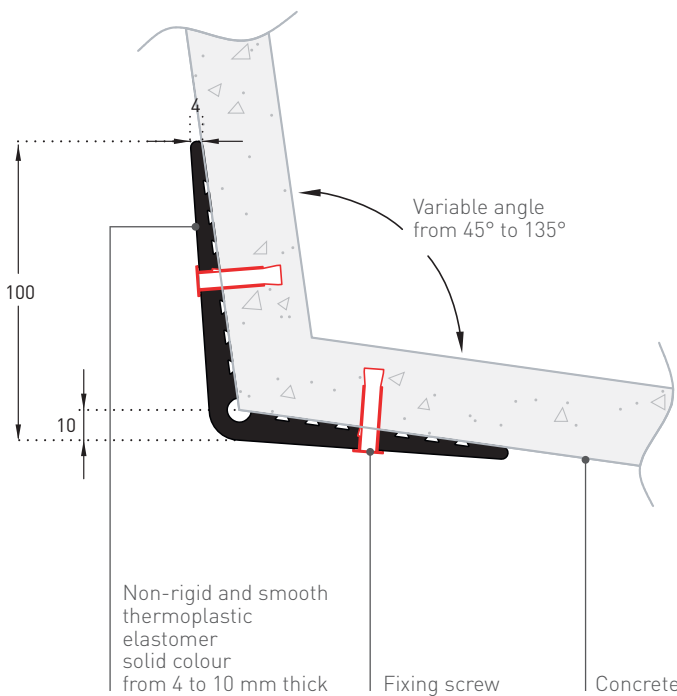
The Elasto'Flex 100V corner protector is a highly resistant protection for the 45° to 135° corners of your industrial buildings. It blends in perfectly with all types of areas subject to severe impacts, and its black elastomer material enables it to be used both indoor and outdoor.

DESCRIPTION

- Model: Elasto'Flex 100V variable angle corner protector
- Angle: from 45 to 135°
- Wing width: 100 mm
- Thickness: from 4 mm (end) to 10 mm (corner)
- Length: 3 m
- Material: non-rigid thermoplastic elastomer, solid colour
- Surface finish: smooth
- Fixing: by screwing
- Colour: black

SPECIFICATION

- Description: variable angle corner protector (from 45° to 135°) in non-rigid and smooth thermoplastic elastomer, 100 mm wing width (external measurement) / 90 mm wing width (internal measurement) (Elasto'Flex 100V as manufactured by SPM) comprising a profile, from 4 mm (end) to 10 mm (corner), solid colour, giving it excellent impact-resistance properties and good ageing and UV resistance.
- Environment: no heavy metals are used in its formulation, nor PBT/BPA. 100% of the product are recyclable.
- Colour: black.
- Installation method: by screwing.



SPECIFIC PROTECTION





ELASTO'PUNCH 200E

WALL PROTECTION RAIL - 200 MM HIGH



APPLICATIONS

With its dense shape, the Elasto'Punch 200E protection rail provides effective protection for walls that are very exposed to side impacts and abrasion from guided trucks, in logistics corridors, storage areas and warehouses, car parks, etc.

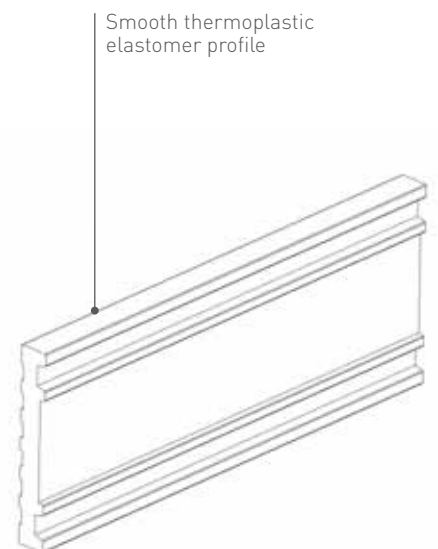
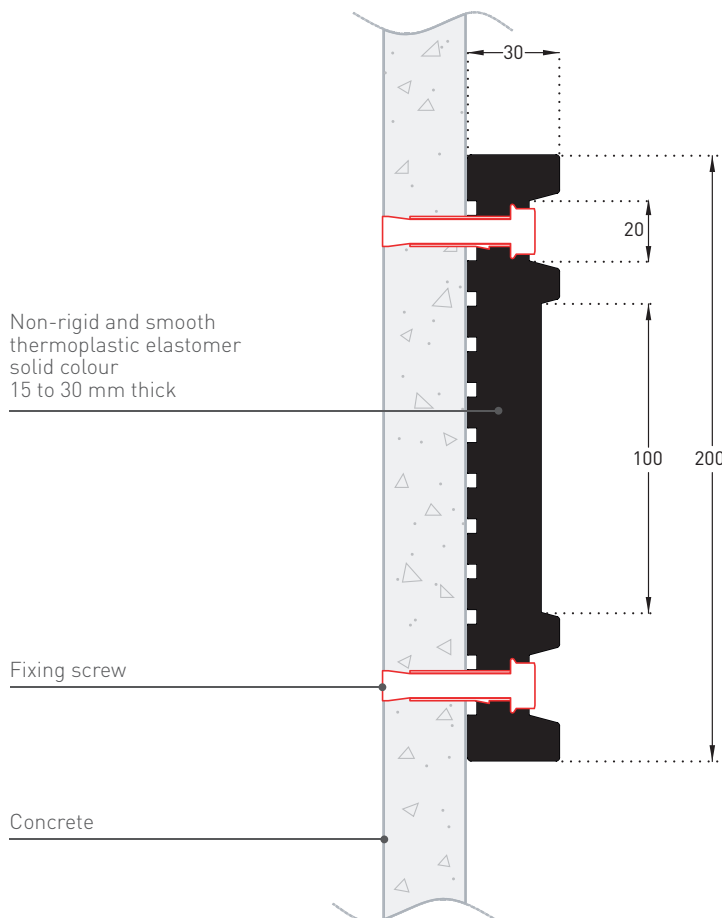
Its black elastomer material enables it to be used both indoor and outdoor.

DESCRIPTION

- Model: Elasto'Punch 200E protection rail
- Height: 200 mm
- Depth: 30 mm
- Length: 3 m
- Material: non-rigid thermoplastic elastomer, 15 to 30 mm thick, solid colour
- Surface finish: smooth
- Fixing: by screwing
- Colour: black

SPECIFICATION

- Description: E-shaped flat protection rail in non-rigid and smooth thermoplastic elastomer (Elasto'Punch 200E as manufactured by SPM) comprising a 200 mm height profile, 15 to 30 mm thick, solid colour, giving it excellent impact-resistance properties and good ageing and UV resistance.
- Environment: no heavy metals are used in its formulation, nor PBT/BPA. 100% of the product are recyclable.
- Colour: black.
- Installation method: by screwing.





Elasto'Punch 100D // 1 colour

Black

ELASTO'PUNCH 100D

WALL PROTECTION RAIL - 100 MM HIGH



APPLICATIONS

The Elasto'Punch 100D protection rail is designed to protect your industrial buildings. Its black elastomer material enables it to be used both indoor and outdoor.

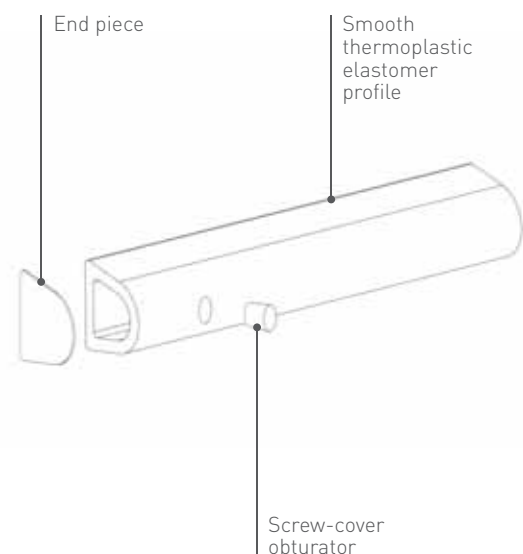
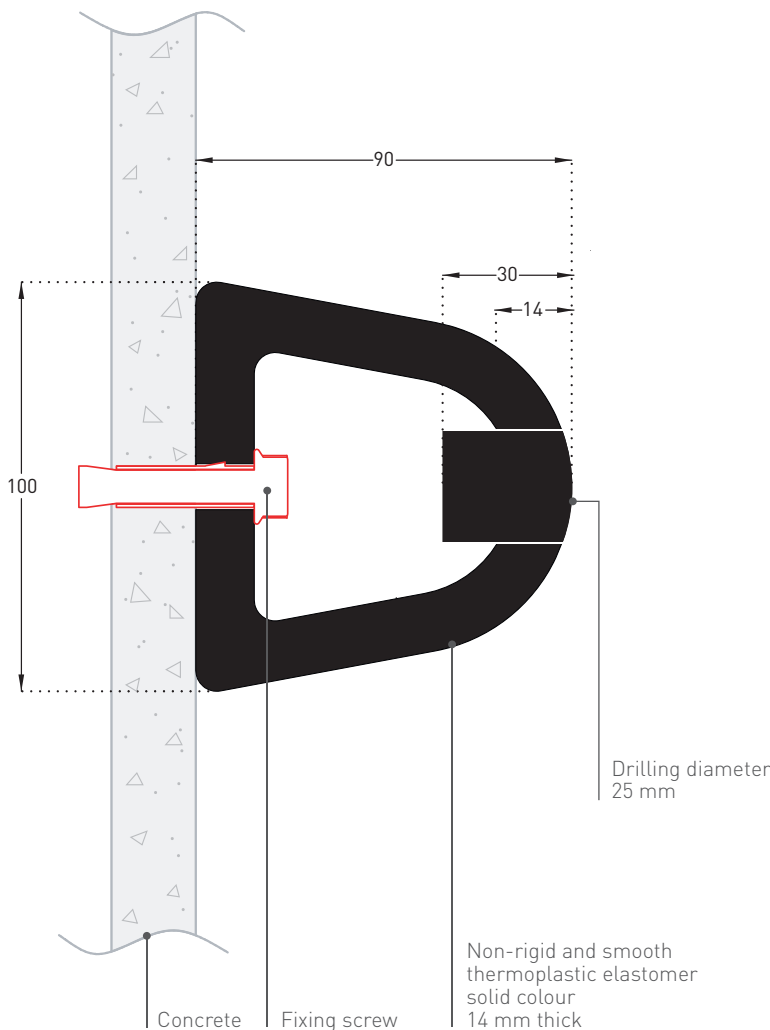
Ideally installed on loading docks, it will absorb impacts from heavy goods vehicles.

DESCRIPTION

- Model: Elasto'Punch 100D protection rail
- Height: 100 mm
- Depth: 90 mm
- Length: 3 m
- Material: non-rigid thermoplastic elastomer, 14 mm thick, solid colour
- Surface finish: smooth
- Fixing: by screwing
- Colour: black

SPECIFICATION

- Description: D-shaped round protection rail in non-rigid and smooth thermoplastic elastomer (Elasto'Punch 100D as manufactured by SPM) comprising a 100 mm height profile, 90 mm deep, solid colour and 14 mm thick, giving it excellent impact-resistance properties and good ageing and UV resistance. Finish is provided by end pieces and screw-cover obturators in smooth thermoplastic elastomer.
- Environment: no heavy metals are used in its formulation, nor PBT/BPA. 100% of the product are recyclable.
- Colour: black.
- Installation method: by screwing.



SPECIFIC PROTECTION





Safy'Corner // 4 colours



SAFY'CORNER

90° ADHESIVE CUSHIONING CORNER PROTECTOR



APPLICATIONS

The Safy'Corner cushioning corner protector is designed to protect persons from impacts against a protruding corner. Made from a flexible elastomer, it has a high impact absorption capacity and minimises the risk of injury. It has two strips of double-sided adhesive tape and a protective film for ease of installation and cleaning.

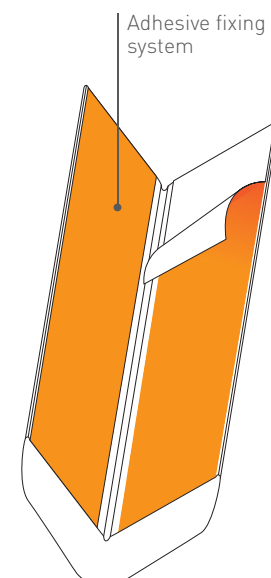
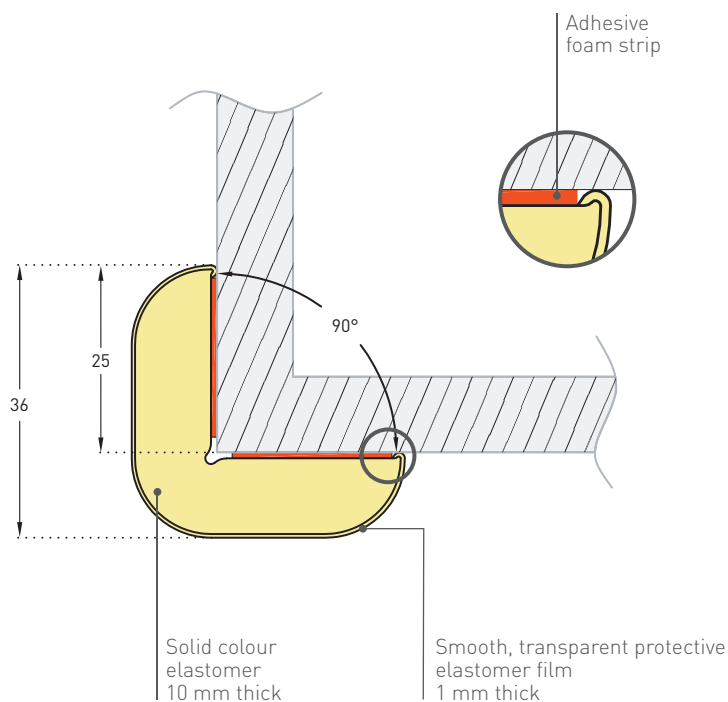
Ideal for childcare settings, retirement homes, specialist institutions, gyms and sports halls.

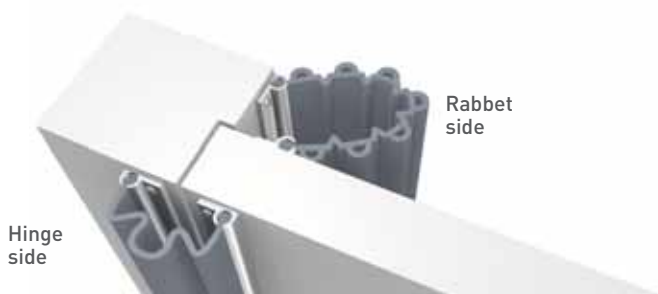
DESCRIPTION

- Model: Safy'Corner adhesive cushioning corner protector
- Angle: 90°
- Wing width: 25 mm (internal measurement)
- Thickness: 11 mm
- Length: 1.30 m
- Material: solid colour elastomer
- Surface finish: smooth
- Fixing: adhesive foam strips reinforced with SPM universal mastic glue
- Colours: 4 standard

SPECIFICATION

- Description: 25 mm wide wings (internal measurement) 90° adhesive cushioning corner protector (Safy'Corner as manufactured by SPM) comprising a 10 mm thick smooth and flexible elastomer section with solid colour, covered with a 1 mm thick transparent protective film to reduce cleaning throughout its service life. It is provided with 2 strips of foam adhesive tape for fixing. It has an impact absorption capacity of 38%, thus minimising the risk of injury.
- Environment: no heavy metals are used in its formulation, nor PBT/BPA. 100% of the product are recyclable.
- Colours: selected by architects from manufacturer's standard range.
- Installation method: adhesive. SPM universal mastic glue is recommended for stronger fixing.





Safy'Door // 4 colours



Hinge side

SAFY'DOOR

DOOR FINGER PROTECTION SYSTEM



APPLICATIONS

The door finger protection system Safy'Door is the ideal solution for making both single and swing doors safe.

The special shape of the strong, flexible bellows prevents fingers from getting into door rabbets.

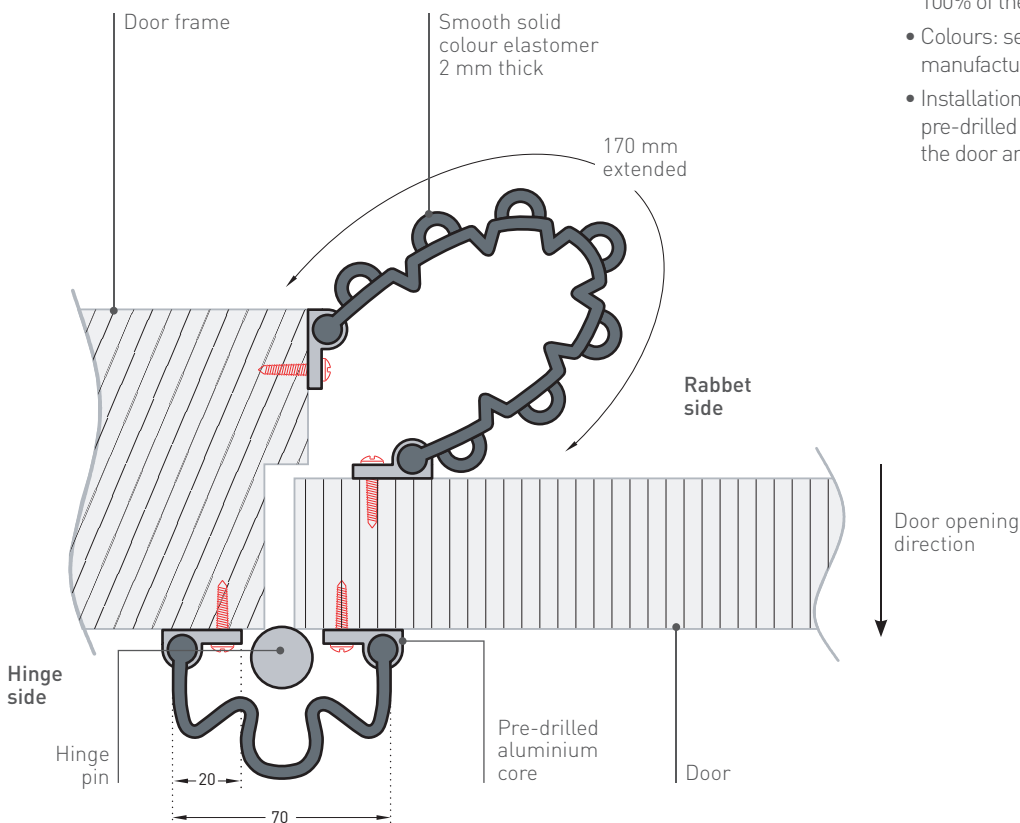
The door finger protection system Safy'Door improves safety in locations frequented by young children as well as in workplaces, preventing a major cause of accidents and protecting staff from often serious after-effects.

DESCRIPTION

- Model: Safy'Door door finger protection system
- Height: 1.40 m
- Width: 170 mm (rabbet side) and 70 mm (hinge side)
- Material: 2 mm thick solid colour elastomer
- Surface finish: smooth
- Fixing: on pre-drilled aluminium cores
- Colours: 4 standard

SPECIFICATION

- Description: door finger protection system (Safy'Door as manufactured by SPM) to prevent fingers being trapped when opening and closing doors, comprising two solid colour, flexible elastomer sections 1.40 m in height, that slot into two pre-drilled aluminium cores. The 7-bellows section is used on the inside door jamb (rabbet side) and can cover a 150-mm gap, with the bellows providing additional extension up to 190 mm. The 3-bellows section is used on the outside door jamb (hinge side) and is designed to move with the door, compressing on opening by 20 to 80 mm.
- Environment: no heavy metals are used in its formulation, nor PBT/BPA. 100% of the product are recyclable.
- Colours: selected by architects from manufacturer's standard range.
- Installation method: snap-fixes onto pre-drilled aluminium cores screwed to the door and frame.



SPECIFIC PROTECTION

Colours available per product : please see the colour summary hinge

Let discover technical solutions at the end of the guide

Specifications and section drawings on our website www.spm-international.com

BimObject in Revit and Archicad



SOLUTIONS FOR PANELS

THERMO-WELDING

HOT WELDED JOINTS

APPLICATIONS

SPM Decochoc, Decowood, Decotrend, Decoclean and Decochoc H₂O panels are made of antibacterial PVC. They are easy to clean and can be installed:

- from floor to ceiling with welded joints,
- in right or curved corners, whatever the degrees or the radius,
- above the skirting of PVC floor coverings.

For a reliable watertightness, SPM has a range of welding rods matched to the colours of SPM profiles, allowing you to hot weld one panel to another.

SPM and GERFLOR also provide a global solution for absolute watertightness and reliable junction: hot welded joints between the skirting of the floor covering and the wall panel.

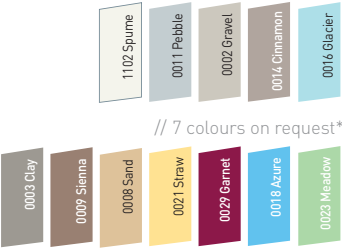
This system is optimised to work with the exclusive GERFLOR Corner System, and is particularly recommended for operating rooms and other rooms requiring a high level of hygiene.

DESCRIPTION

- Model: SPM welding rod
- Diameter: 4 mm
- Length: 100 m roll
- Material: Flexible PVC
- Fixing: hot welded with welding machine
- Colours:
 - 33 standard for Decochoc
 - 5 standard for Decochoc H₂O



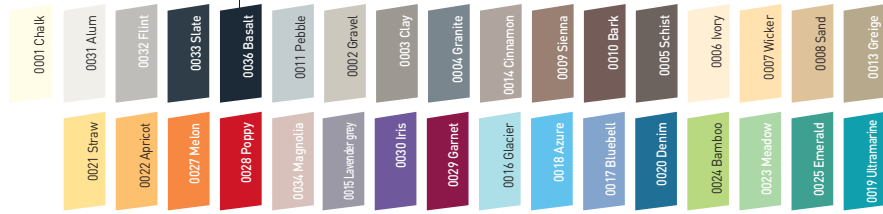
Decochoc H₂O // 5 standard colours



// 7 colours on request*

NEW

Decochoc // 33 colours



* with a minimum order quantity.

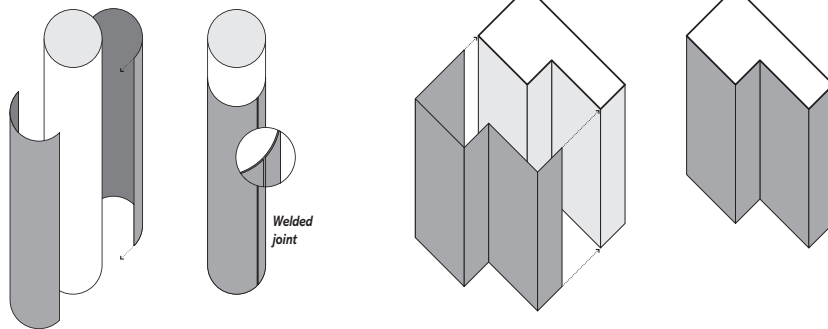
THERMOFORMING

PILLAR AND DOOR FRAME PROTECTION

WITH DECOCHOC, DECOSMIC, DECOWOOD AND DECOTREND PANELS

APPLICATIONS

In order to adapt to all building layouts, Decochoc, Decosmic, Decowood and Decotrend panels can be thermoformed to cover round pillars (diameter less than 800 mm) and complex door frames that can not be protected with simple L or U bends.



FIXING



SPM universal primer
(100 to 150 g required per m²)
5 l drum



SPM acrylic glue - Simple bonding
Solvent-free
(300 to 350 g required per m²) - Available in 6 or 14 kg jars



SPM multi-purpose adhesive mastic
Solvent-free
290 ml cartridge (about 25 ml of cord)



Double-sided foam adhesive roll 4957/15 mm wide
(contact us prior to use)
25 m roll



Double-sided adhesive roll 4970/50 mm wide
For installation on doors or laminates
(contact us prior to use) - 50 m roll



SPM Silicone joint for Decochoc, Decosmic, Decowood, Decotrend, Decoclean, and Decochoc H₂O panels (matching colours)
310 ml cartridge



Welding rod for Decochoc, Decowood, Decotrend, Decoclean and Decochoc H₂O panels (matching colours)
100 m roll



SOLUTIONS FOR HANDRAILS

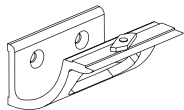
IN FRONT OF SERVICE DUCTS

APPLICATIONS

Quick-removable system (assembly wedges) designed to make easy access to service duct gates whilst providing continuation of the handrails and secure handgrip for people.

Available for Escort, Linea'Touch and Starline handrails.

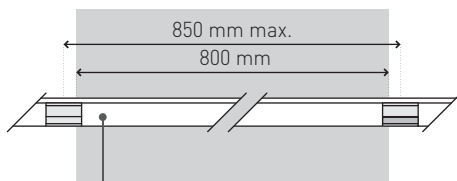
SERVICE DUCT GATES LONGER THAN 800 MM



It is necessary to place a quick-removable bracket onto the service duct access gate.

STARLINE HANDRAIL

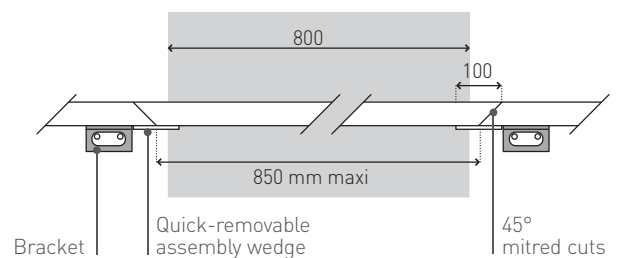
For Starline handrail, SPM can provide a 800 mm ready-to-install kit.



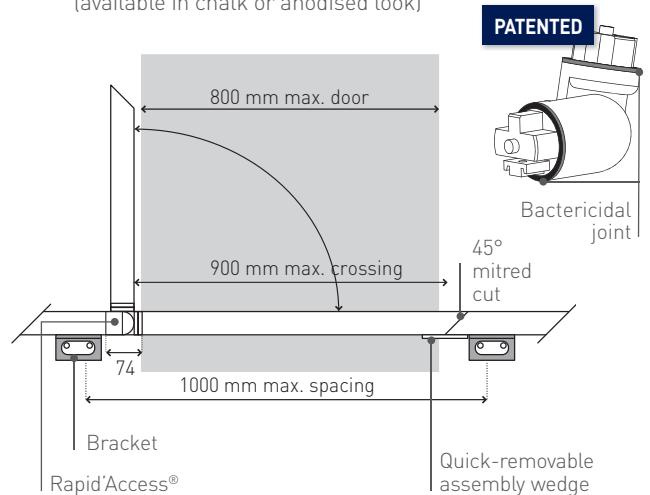
800 mm length of Starline profile, especially machined for service duct. (Other sizes available on request)

ESCORT AND LINEA'TOUCH HANDRAILS

For Escort and Linea'Touch handrails, the service duct kit is installed on site: by cutting the profile to the length of the access gate using two 45° cuts and two quick-removable assembly wedges.



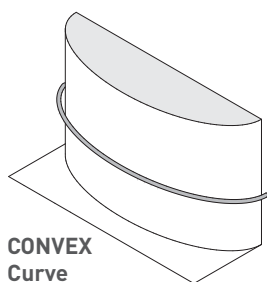
For Escort handrail, Rapid'Access®, the articulated link has been especially designed for service duct, to complete with one quick-removable assembly wedge. (available in chalk or anodised look)



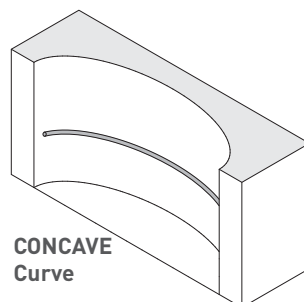
CURVING

APPLICATIONS

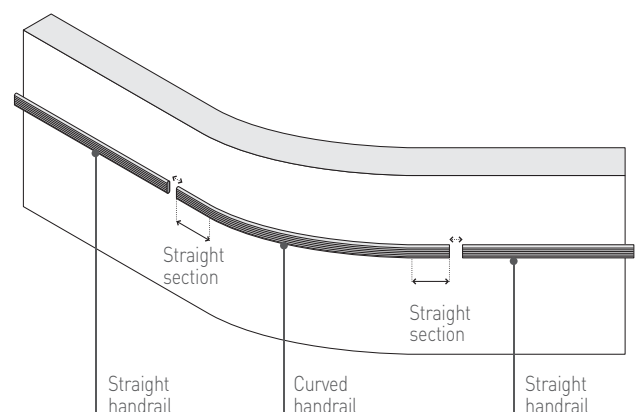
Curving of Starline, Linea'Touch and Escort handrails to fit in different building layouts.



CONVEX
Curve



CONCAVE
Curve





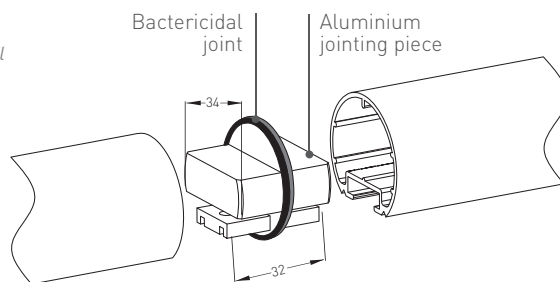
JOINTING ACCESSORY

APPLICATIONS

Aluminium joining piece with bactericidal joint to bring perfectly into line and to hold tight between two straight lengths of Escort or Linea Touch handrails.

ESCORT

also available for the handrail Linea Touch.

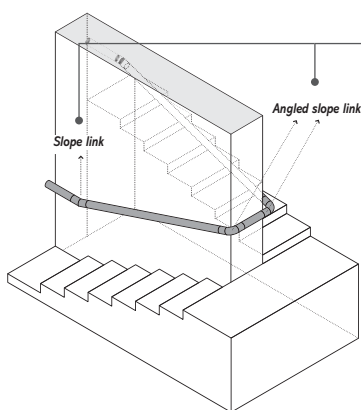


RAPID'ANGLE® FOR STAIRCASES AND FOR 80° TO 180° ANGLES

APPLICATIONS

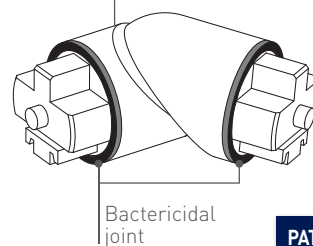
SPM has developed Rapid'Angle® for Escort round handrail and for Linea Touch trilobed handrail especially designed:

- to fit in all staircase layouts with slope link and angled slope link: rotating 3D
- to fit all angles: modular from 80° to 180°



RAPID'ANGLE® ESCORT

also available for the handrail Linea Touch.

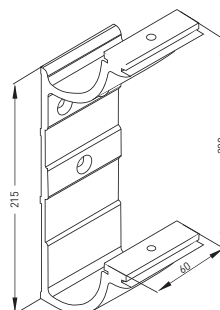


DUAL-HEIGHT SPECIAL "ACCESSIBILITY" BRACKET: ESCORT

APPLICATIONS

This dual-height bracket simplifies the installation of Escort handrails at two heights: one at the standard height and the other for children and/or those using wheelchairs. The height of the lower handrail has been specially designed to provide a comfortable aid to help such people to move around.

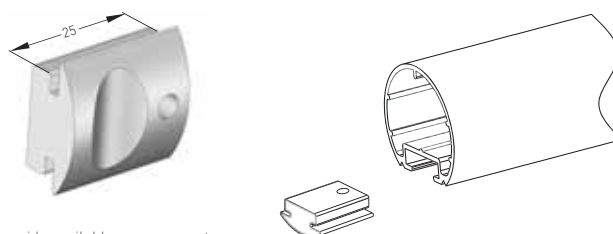
This accessory simplifies installation since only one set of horizontal marking outs is required for two levels of handrails.



TACTILE MARK: ESCORT

APPLICATIONS

Unique design for this assembly wedge of tactile mark to be fitted in under the Escort handrail to provide locating help to visually impaired persons. Repeated, it helps indicate the where on the floor we are.



To help with the installation of SPM handrails, consult the installation procedures guide available upon request.



TOOLS

LEISTER WALL WELDING CASE

Professional welding case includes all the tools required to create perfect welding rods between SPM panels or between SPM panels and PVC skirting.



CONTAINS

1. Leister electronic welding gun and a spare resistor
2. Narrow rapid nozzle diameter 4/5 mm
3. Straight-shaft quarter moon knife
4. Trimmer guide
5. Sharpening stone (dimensions 100 x 50 x 12 mm)
6. Nozzle brush (length 160 mm)
7. Aluminium utility ruler with handle (thickness: 4 mm - dimensions: 800 x 60 x 4 mm)
8. Mozart 2-in-1 trimming knife and 5 replacement blades
9. Triangular groover (length: 24 cm - 6 cm sides)
10. Trimming groover with rounded blade





HOOKED BLADE CUTTER

This cutter's unique blade shape makes it ideal for cutting PVC panels and profiles.

DESCRIPTION

- Aluminium/plastic cutter
- Length 140 mm
- Includes tungsten carbide hooked blade and all-purpose blade



TWO-HANDLED SMOOTHING ROLLER

Ideal for smoothing SPM panels after applying adhesive; offers substantial finishing pressure with its double handle and ease of use.

DESCRIPTION

- Roller length: 160 mm
- Roller diameter: 40 mm
- Dimensions (L x W x H):
210 mm x 180 mm x 120 mm



i INFO: THERMAL EXPANSION

If the products are to be installed in temperature conditions very different to 20°C (such as unheated premises in winter), take into account dimensional variations indicated in the below table.

Temperature in °C	Dimensional variations in mm for 1 linear meter	Comments
15	-1	Minimum temperature
20 (ideal temperature)	0	Ideal temperature
25	+1	Admissible temperature
30	+2	Maximum temperature

For detailed instructions, please refer to Installation Procedure Guide.



COLOUR AVAILABILITY SUMMARY CHART

		0001 Chalk	0031 Alum	0032 Flint	0033 Slate	0036 Basalt NEW	0011 Pebble	0002 Gravel	0003 Clay	0004 Granite	0014 Cinnamon	0009 Sienna	0010 Bark	0005 Schist	0006 Ivory	0007 Wicker	0008 Sand	0013 Greige	0021 Straw	0022 Apricot	0027 Melon	0028 Poppy	0034 Magnolia	
WALL PROTECTION																								
LINEA'PUNCH NEO	p.48	●	●	●	●		●	●	●	●	●	●	●	●	●	●	●	●	●	●	●	●	●	
IMPACT 200 / 120	p.50	●	●	●	●		●	●	●	●	●	●	●	●	●	●	●	●	●	●	●	●	●	
IMPACT 60	p.50	●	○	○	○		●	○	○	●	○	○	○	○	●	●	○	○	○	○	○	○	○	
COMBO'PUNCH 200 / 125	p.52	●	○	○	○		○	○	●	○	○	○	○	○	●	●	○	○	○	○	○	○	○	
COMBO'PUNCH 100D	p.54	●	○	○	○		○	○	●	○	○	○	○	○	●	●	○	○	○	○	○	○	○	
COMBO'BEDKIT	p.55	●	○	○	○		○	○	●	○	○	○	○	○	●	●	○	○	○	○	○	○	○	
CONTACT 350	p.56	●	○	○	○		●	●	●	●	●	●	○	●	●	●	○	○	●	●	●	○		
CONTACT 200	p.56	●	●	●	●		●	●	●	●	●	●	●	●	●	●	●	●	●	●	●	●	●	
COMBO'CLAD 200 / 150	p.58	●	○	○	○		○	○	●	○	○	○	○	○	●	●	○	○	○	○	○	○	○	
DECOCHOC	p.60	●	●	●	●	●	●	●	●	●	●	●	●	●	●	●	●	●	●	●	●	●	●	●
DECOSMIC	p.62																						●	
DECOWOOD	p.64																							
DECOTREND	p.65																							
DECOCLEAN	p.66	●					●			●					●	●								
DECOCHOC H ₂ O	p.68						●	●	○		●	○					○		○					
DECOWOOD / DECOTREND H ₂ O	p.70																							
FIN'COLOR	p.73	●	●	●	●	●	●	●	●	●	●	●	●	●	●	●	●	●	●	●	●	●	●	●
DECOFRESC <i>all public contemporary</i>	p.74	●	●	●	●	●	●	●	●	●	●	●	●	●	●	●	●	●	●	●	●	●	●	●
FIN'ANGLE	p.81						●	●	○		●	○					○		○					
CORNER PROTECTION																								
CORNEA	p.86	●	●	●	●		●	●	●	●	●	●	●	●	●	●	●	●	●	●	●	●	●	
CORNEAFLEX	p.87	●	○	○	○		●	○	○	●	○	○	○	○	●	●	○	○	○	○	○	○	○	
COMBO'CORNER	p.88	●	○	○	○		○	○	●	○	○	○	○	○	●	●	○	○	○	○	○	○	○	
LINEA'FLEX	p.90	●	●	●	●	●	●	●	●	●	●	●	●	●	●	●	●	●	●	●	●	●	●	●
PROTECTA 2	p.91	●	●	●	●	●	●	●	●	●	●	●	●	●	●	●	●	●	●	●	●	●	●	●
COMBO'FLEX	p.92	●							●					●	●									
COMBO'LINE	p.93	●	○	○	○		○	○	●	○	○	○	○	○	●	●	○	○	○	○	○	○	○	
PROFILA	p.94	●	●	●	●	●	●	●	●	●	●	●	●	●	●	●	●	●	●	●	●	●	●	●
DOOR PROTECTION																								
FOOT-HEIGHT DOOR Contact 200 plate	p.100	●	●	●	●		●	●	●	●	●	●	●	●	●	●	●	●	●	●	●	●	●	
FOOT-HEIGHT DOOR Contact 350 plate	p.100	●	○	○	○		●	●	●	●	○	●	○	●	●	●	○	○	●	●	●	○		
HALF-HEIGHT STRAIGHT Decochoc / Decosmic panels	p.101	●	●	●	●	●	●	●	●	●	●	●	●	●	●	●	●	●	●	●	●	●	●	
HALF-HEIGHT DECORATIVE Decochoc / Decosmic panels	p.102	●	●	●	●	●	●	●	●	●	●	●	●	●	●	●	●	●	●	●	●	●	●	
HANDPLATES Decochoc / Decosmic panels	p.104	●	●	●	●	●	●	●	●	●	●	●	●	●	●	●	●	●	●	●	●	●	●	
INLAID SIGNAGE Decochoc / Decosmic panels	p.105	●	●	●	●	●	●	●	●	●	●	●	●	●	●	●	●	●	●	●	●	●	●	
EDGES AND FRAMES Decochoc / Decosmic panels	p.106	●	●	●	●	●	●	●	●	●	●	●	●	●	●	●	●	●	●	●	●	●	●	

COLOUR AVAILABILITY SUMMARY CHART

		0001 Chalk	0031 Alum	0032 Flint	0033 Slate	0036 Basalt NEW	0011 Pebble	0002 Gravel	0003 Clay	0004 Granite	0014 Cinnamon	0009 Sienna	0010 Bark	0005 Schist	0006 Ivory	0007 Wicker	0008 Sand	0013 Greige	0021 Straw	0022 Apricot	
HANDRAILS																					
ESCORT'DUO - WALL PROTECTION RAIL	p. 112	●	○	○	○		○	○	●	○	○	○	○	○	●	○	○	○	○	○	○
- HANDRAIL		●	●	●	●		●	●	●	●	●	●	●	●	●	●	●	●	●	●	●
LINEA'DUO - WALL PROTECTION RAIL	p. 112	●	○	○	○		○	○	●	○	○	○	○	○	●	○	○	○	○	○	○
- HANDRAIL		●	●	●	●		●	●	●	●	●	●	●	●	●	●	●	●	●	●	●
PERFORMER 2	p. 114	●					●	●	●	●	○	●	○	●	●	●	○	○	●	●	
COMBO'DUO	p. 116	●	○	○	○		○	○	●	○	○	○	○	●	●	○	○	○	○	○	
STARLINE - PVC SHEATHED	p. 118	●						●													
BAND FOR STARLINE: - PVC SHEATHED	p. 118	●	●	●	●	●	●	●	●	●	●	●	●	●	●	●	●	●	●	●	
- ANODISED	p. 120	●	●	●	●	●	●	●	●	●	●	●	●	●	●	●	●	●	●	●	
LINEA'TOUCH AND LINEA'TOUCH+ PVC SHEATHED	p. 122	●	●	●	●		●	●	●	●	●	●	●	●	●	●	●	●	●	●	
LINEA'TOUCH - DECOWOOD	p. 124																				
LINEA'TOUCH - ANODISED	p. 124																				
ESCORT - PVC SHEATHED	p. 126	●	●	●	●		●	●	●	●	●	●	●	●	●	●	●	●	●	●	
ESCORT - DECOWOOD	p. 128																				
ESCORT - ANODISED	p. 128																				

		0092 Fawn	0093 Swan	0091 Dolphin	0090 Canary
INDIVIDUAL PROTECTION					
SAFY'CORNER	p. 134	●	●	●	●
SAFY'DOOR	p. 135	●	●	●	●

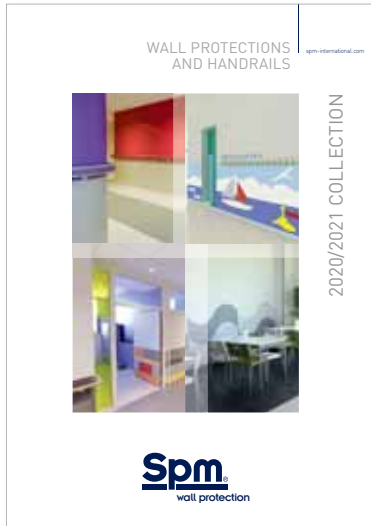
● In stock
within the limit of available stocks

		Black
INDUSTRIAL PROTECTION		
ELASTO'FLEX 100V	p. 131	●
ELASTO'PUNCH 200E	p. 132	●
ELASTO'PUNCH 100D	p. 133	●

● In stock
within the limit of available stocks

DOCUMENTS AND SAMPLE CARDS

AVAILABLE



SPM BROCHURE

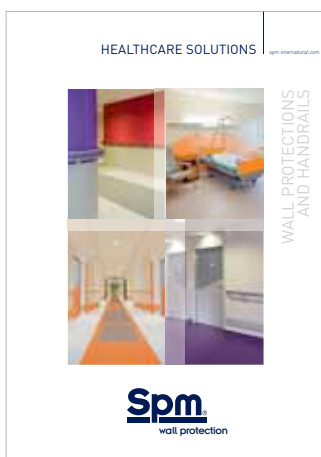
You will find in this catalogue, all relevant technical information on our products: cut to scale 1, description, application, colour palette....



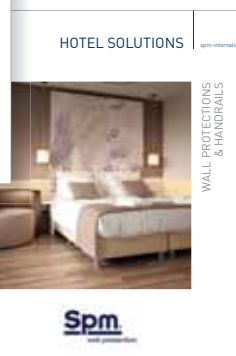
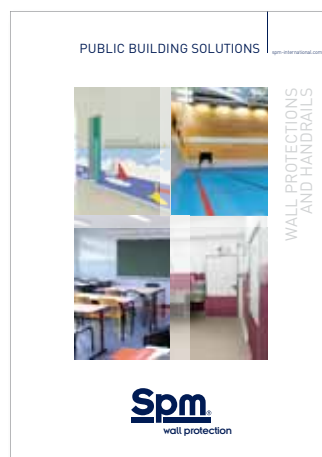
SPECIAL ISSUE DECOPRINT

SPM SOLUTIONS

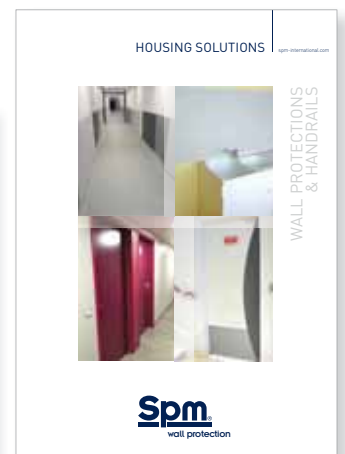
HEALTHCARE



PUBLIC BUILDING



HOTEL



HOUSING

SAMPLE CARD

This tool has been created to help you choose colours in your projects. All colours from the SPM range are presented with movable samples.



47 COLOURS AND DECORS SPM PALETTE



Colours are not contractually binding.

PHOTO BOOK SPM



Healthcare, Education, Industry, Hotels, Sport...
SPM presents you photos of different achievements and product applications.

INSTALLATION PROCEDURES



A guide which precisely details installation conditions and steps to follow.

INDEX

B

- Bending p. 86
- Brochures p. 146

C

- Case - Wall welding p. 140
- Colours p. 34 to 41 & 142 to 145
- Combo'Bedkit p. 55
- Combo'Clad p. 58
- Combo'Corner p. 88 & 89
- Combo'Duo p. 116
- Combo'Flex p. 92
- Combo'Line p. 93
- Combo'Punch p. 52 to 54
- Contact p. 56 & 100
- Contents p. 03
- Cornea p. 86
- Corneaflex p. 87
- Curving p. 138
- Cutter - Hooked blade p. 141

D

- Decocare p. 78
- Decochoc p. 60
- Decochoc H₂O p. 68
- Decoclean p. 66
- Decofresc p. 40 & 74
- Decokid p. 40 & 79
- Decoprint p. 76
- Decosmic p. 39 & 62
- Decotrend p. 38 & 65
- Decotrend H₂O p. 70
- Decowood p. 36 & 64
- Decowood H₂O p. 70

E

- Early Childhood p. 75
- Edges p. 106
- Elasto'Flex p. 131
- Elasto'Punch p. 132 & 133
- Escort-Anodised p. 128
- Escort-Decowood p. 128
- Escort'Duo p. 112
- Escort-PVC sheathed p. 126
- Environment p. 08

F

- Fin'Alu p. 72
- Fin'Angle p. 81
- Fin'Color p. 73
- Fixing and finishing p. 81 & 137
- Frames p. 106

H

- Handplates p. 104
- Hygiene p. 07

I

- Impact p. 50
- Inlaid signage p. 105
- Innovation p. 10

L

- Linea'Duo p. 112
- Linea'Flex p. 90
- Linea'Punch Neo p. 48
- Linea'Touch-Anodised p. 124
- Linea'Touch-Decowood p. 124
- Linea'Touch-PVC sheathed p. 122

M

- Masks for doors p. 102 to 104

N

- Numbers p. 105

P

- Palette of colours p. 34
- Performer 2 p. 114
- Pictos p. 105
- Plac'Inox p. 80
- Profila p. 94
- Protecta 2 p. 91
- Profil'Inox p. 95

R

- Rapid'Access p. 138
- Rapid'Angle p. 139
- Resistance p. 07
- Roller (smoothing) p. 141

S

- Safy'Corner p. 134
- Safy'Door p. 135
- Service ducts p. 138
- Signage inlaid p. 105
- Smoothing Roller p. 141
- Solutions for panels p. 81 & 136
- Solutions for handrails p. 138
- Solutions per sector p. 12 to 33
- Starline-Anodised p. 120
- Starline-PVC sheathed p. 118

T

- Thermal expansion p. 141
- Thermoforming p. 137
- Thermo-welding p. 136
- Tools p. 140



spm-international.com

PANELS
HANDRAILS
PROTECTION RAILS
CORNER PROTECTION

ASIA: Gerflor Asia

Tel: +86 21 6357 8818 - Fax: +86 21 6357 8998

e-mail: gerflorasiasp@gerflor.com

AUSTRALIA/NEW ZEALAND: Gerflor Australasia Pty. Ltd

Australia Tel: 1 800 060 785 - New Zealand Tel: 0 800 630 119

e-mail: gerflor@gerflor.com.au

AUSTRIA/SWITZERLAND: Gerflor GmbH

Tel: +43 (0)72 29/70 800-0 - Fax: +43 (0)72 29/70 800-218

e-mail: austria@gerflor.com - switzerland@gerflor.com

BELGIUM/LUXEMBURG: Gerflor Benelux

Tel: +32 (0)3 766 42 82 - Fax: +32 (0)3 766 29 14

e-mail: gerflorbel@gerflor.com

CANADA: Gerflor International

Tel: +1 438 333 0752 - Fax: +1 438 380 5425

e-mail: gerflorcanada@gerflor.com

CHINA: Gerflor floorings (China) Co. Ltd.

Tel: +86 21 6357 8818 - Fax: +86 21 6357 8998

e-mail: gerflorchina@gerflor.com

FINLAND: Gerflor Oy

Tel: +358 (0) 10 6 17 5150 - Fax: +358 (0) 10 617 5152

e-mail: info@gerflor.fi

FRANCE: SPM International

Tel: +33 (0)5 34 39 41 00 - Fax: +33 (0)5 34 39 40 10

e-mail: export@spm.fr

GERMANY: Gerflor Mipolam GmbH

Tel: +49 (0)22 41-25 30-0

e-mail: gerflormipolam@gerflor.com

Kunden-Service

Tel: +49 (0) 22 41-25 30-136 - Fax: +49 (0) 22 41-25 30-100

e-mail: kundenservice@gerflor.com

SAT Service und Anwendungstechnik

tel: +49 (0)22 41-25 30 555 - Fax: +49 (0)22 41-25 30 550

e-mail: technik@gerflor.com

ITALY: Gerflor S.p.A.

Tel: +39 02 90 40 10 - Fax: +39 02 90 42 74 84

e-mail: gerfloritalia@gerflor.com

LATIN AMERICA (Brazil): Gerflor América Latina

Tel: +55 11 38 48 20 20

e-mail: gerflor@gerflor.com.br

MIDDLE EAST: Gerflor Middle East

Tel: +966 13 847 1779 - Fax: +966 13 847 1781

e-mail: info@gerflorme.com

NETHERLANDS: Gerflor Benelux

Tel: +31 (0)40 266 17 00 - Fax: +31 (0)40 257 46 89

e-mail: gerflornl@gerflor.com

OTHER COUNTRIES: SPM International

Tel: +33 (0)5 34 39 41 00 - Fax: +33 (0)5 34 39 40 10

e-mail: export@spm.fr

POLAND: Gerflor Polska Sp z o.o

Tel: +48 61 823 34 01 - Fax: +48 61 823 34 33

e-mail: info@gerflor.pl

PORTUGAL: Gerflor Iberia, SA

Tel: +351 21 843 95 49 - Fax: +351 21 846 55 44

e-mail: gerflorportugal@gerflor.com

RUSSIA: Gerflor zao

Tel./Fax: +7 495 785 23 71

e-mail: gerflorussia@gerflor.ru

SCANDINAVIA: Gerflor Scandinavia a.s.

Tel: +47 64 95 60 70 - Fax: +47 64 95 60 80

e-mail: gerflorscand@gerflor.no

SPAIN: Gerflor Iberia, SA

Tel: +34 91 653 50 11 - Fax: +34 91 653 25 85

e-mail: gerfloriberia@gerflor.com

USA: Gerflor North America

Tel: 877 GERFLOR (437 3567) - Fax: 847 394 3753

e-mail: info@gerflorusa.com



Committed to sustainable development

A company of **Gerflor**

Spm[®]
wall protection