

Technical data sheet

Clamp clip 2056, W-foot, single, metal pressure trough, FT

Item number: 1188301



Clamp clip with W-foot, metal pressure trough with rounded edges to protect the cable. For vertical and horizontal mounting of 1 single cable on angle irons < 40 mm. With 1-start screw thread on pressure trough, universal hexagonal screw head WAF10, with slot and cross recess. Suitable for mounting indoors and outdoors. We recommend the use of a counter-trough.



St

Steel

FT

Hot-dip galvanized

Master data

Item number	1188301
Type	BS-W1-M-12 FT
Description 1	Clamp clip 2056
Manufacturer	OBO
Dimension	8-12mm
Material	Steel
Surface	Hot-dip galvanized
Surface standard	DIN EN ISO 1461
Smallest sales unit	100
Unit of quantity	Piece
Weight	3.8 kg
Weight unit	kg/100 pc.

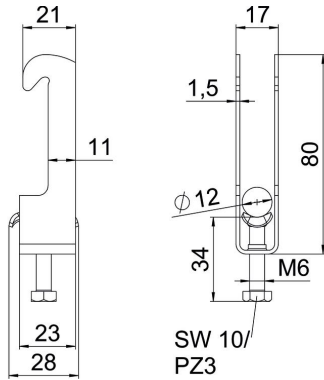
Technical data sheet

Clamp clip 2056, W-foot, single, metal pressure trough, FT

Item number: 1188301



Dimensions



Length	22.5 mm
Width	17 mm
Height	80 mm
Plate thickness	1.5 mm
Dimension A	22.5 mm
Dimension B	17 mm
Dimension C	28 mm
Dimension G (mm)	M6
Dimension H	80 mm
Dimension L	34 mm
Dimension t	1.5 mm

Technical data

Number of cables/pipes	1
For pipe diameter, max.	12 mm
For pipe diameter, min.	8 mm
Thread	M6
Halogen-free	yes
Length of external dimensions	28 mm
Max. Tightening torque	3 Nm
With metal trough	yes
Mounting type	Angle profile
Slot width	10 mm
Clamping range D, max.	12 mm
Clamping range D, min.	8 mm
Surface addition	hot galvanised
Material addition	Steel