

Technical data sheet

Cable tray SKS 605 FT

Item number: 6056634



SKS 60 = Heavy-duty cable tray system with 60 mm side height.
Cable tray with continuous bottom and side perforation as well as central holes (Ø11 mm) in the base for additional fastenings.
Matching cover with turn buckle: Type AZDMD 50

CE

St Steel

FT Hot-dip galvanised

Master data

Item number	6056634
Type	SKS 605 FT
Description 1	Cable tray SKS
Description 2	perforated
Manufacturer	OBO
Dimension	60x50x3000
Material	Steel
Surface	Hot-dip galvanised
Surface standard	DIN EN ISO 1461
Smallest sales unit	3
Unit of quantity	Metre
Weight	203.9 kg
Weight unit	kg/100 m

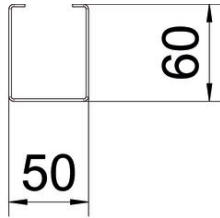
Technical data sheet

Cable tray SKS 605 FT

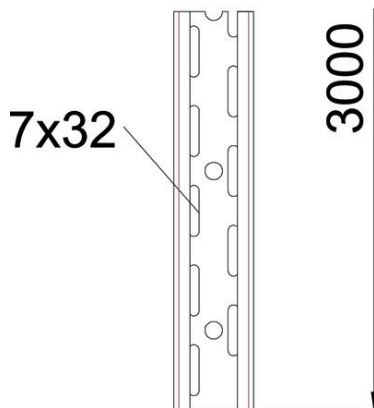
Item number: 6056634



Dimensions



Dimension	60x50
Length	3,000 mm
Width	50 mm
Height	60 mm
Plate thickness	1.5 mm
Dimension B (mm)	50 mm
Dimension H	60 mm



Technical data

Connector version	Without connectors
Mounting system fastening type	Floor Ceiling Wall
Walkable	no
Base perforation	11
Maintain electrical functions	no
Mounting perforation in base	yes
NATO hole pattern	no
Usable cross-section	30 cm ²
Usable cross-section	3000 mm ²
Rustproof steel, pickled	no
Side perforation	yes
Wide-span version	no
Load test type according to IEC 61537	Type II

Technical data sheet

Cable tray SKS 605 FT

Item number: 6056634



Loads

Insertable support spacings, min.	3 m
Support spacing 1.0 m	4.3 kN/m
Support spacing 1.5 m	2.8 kN/m
Support spacing 2.0 m	2 kN/m
Support spacing 2.5 m	1.1 kN/m
Support spacing 3.0 m	0.7 kN/m